

# VIP-3/SC/D37SUB/M/LED - Interface module



2322171

<https://www.phoenixcontact.com/in/products/2322171>

Please be informed that the data shown in this PDF document is generated from our Online Catalog. Please find the complete data in the user documentation. Our General Terms of Use for Downloads are valid.



VARIOFACE module, with screw connections and D-SUB pin strip, for mounting on NS 35 rails, with LED, 37-pos.

## Your advantages

- 9-pos. ... 50-pos.
- Metal foot
- In accordance with IEC 60603-13
- Screw connection
- 1:1 connection

## Commercial Data

Item number	2322171
Packing unit	1 pc
Minimum order quantity	1 pc
Sales Key	CK2
Product Key	CK2422
Catalog Page	Page 571 (C-5-2017)
GTIN	4046356451796
Weight per Piece (including packing)	193.3 g
Weight per Piece (excluding packing)	193.1 g
Customs tariff number	85366990
Country of origin	US

2322171

<https://www.phoenixcontact.com/in/products/2322171>

## Technical Data

### Product properties

Product type	Interface module
Product family	VARIOFACE Professional
Number of positions	37

### Insulation characteristics

Overvoltage category	II
Pollution degree	2

### Electrical properties

Nominal voltage $U_N$	24 V DC
Max. current carrying capacity per branch	2.5 A

### Connection data

#### Field level

Connection in acc. with standard	IEC / EN
Connection method	Screw connection
Stripping length	8 mm
Screw thread	M3
Conductor cross section rigid	0.2 mm <sup>2</sup> ... 4 mm <sup>2</sup>
Conductor cross section flexible	0.2 mm <sup>2</sup> ... 2.5 mm <sup>2</sup>
Conductor cross section AWG	24 ... 12

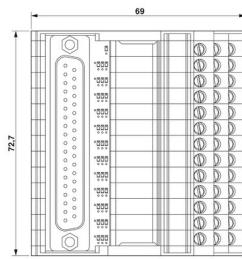
#### Controller level

Connection method	D-SUB pin strip
Number of connections	1
Number of positions	37

### Signaling

Status display	LED
Status display present	Yes

### Dimensions

Dimensional drawing	
Width	72.7 mm

# VIP-3/SC/D37SUB/M/LED - Interface module



2322171

<https://www.phoenixcontact.com/in/products/2322171>

Height	69 mm
Depth	62 mm

## Material specifications

Flammability rating according to UL 94	V0
Housing insulation material	Polyamide 6 green

## Environmental and real-life conditions

### Ambient conditions

Ambient temperature (operation)	-20 °C ... 50 °C
Ambient temperature (storage/transport)	-20 °C ... 70 °C

## Standards and regulations

Standards/regulations	IEC 60664
	DIN EN 50178

## Mounting

Mounting type	DIN rail mounting
Mounting position	any

# VIP-3/SC/D37SUB/M/LED - Interface module

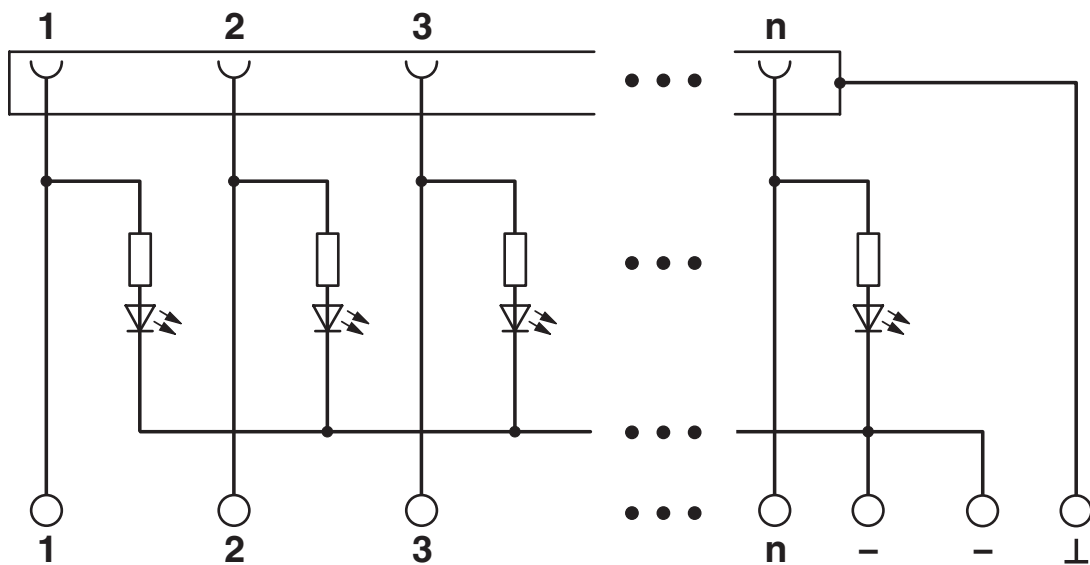


2322171

<https://www.phoenixcontact.com/in/products/2322171>

## Drawings

Circuit diagram



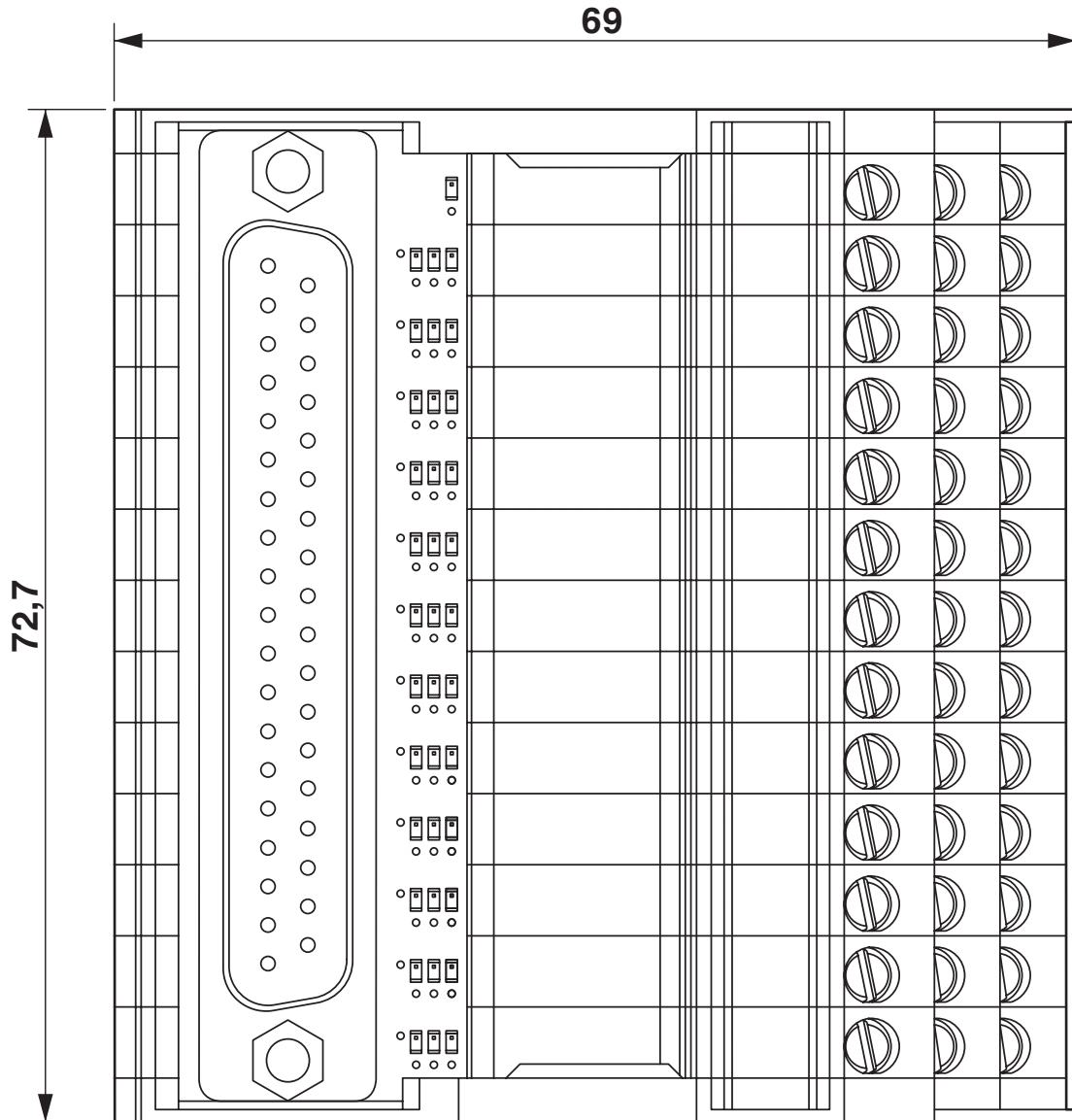
# VIP-3/SC/D37SUB/M/LED - Interface module



2322171

<https://www.phoenixcontact.com/in/products/2322171>

Dimensional drawing



# VIP-3/SC/D37SUB/M/LED - Interface module



2322171

<https://www.phoenixcontact.com/in/products/2322171>

## Approvals

 <b>CSA</b> Approval ID: 2122203				
	Nominal Voltage $U_N$	Nominal Current $I_N$	Cross Section AWG	Cross Section $\text{mm}^2$
	24 V	2 A	28 - 12	-

 <b>cUL Recognized</b> Approval ID: FILE E 238705				
	Nominal Voltage $U_N$	Nominal Current $I_N$	Cross Section AWG	Cross Section $\text{mm}^2$
	24 V	2 A	30 - 12	-

 <b>UL Recognized</b> Approval ID: FILE E 238705				
	Nominal Voltage $U_N$	Nominal Current $I_N$	Cross Section AWG	Cross Section $\text{mm}^2$
	24 V	2 A	30 - 12	-

 <b>CSAus</b> Approval ID: 2122203				
	Nominal Voltage $U_N$	Nominal Current $I_N$	Cross Section AWG	Cross Section $\text{mm}^2$
	24 V	2 A	28 - 12	-

# VIP-3/SC/D37SUB/M/LED - Interface module



2322171

<https://www.phoenixcontact.com/in/products/2322171>

## Classifications

### ECLASS

ECLASS-11.0	27141152
ECLASS-13.0	27141152
ECLASS-12.0	27141152

### ETIM

ETIM 8.0	EC002780
----------	----------

### UNSPSC

UNSPSC 21.0	39121400
-------------	----------

# VIP-3/SC/D37SUB/M/LED - Interface module



2322171

<https://www.phoenixcontact.com/in/products/2322171>

## Environmental Product Compliance

REACH SVHC	Lead 7439-92-1
China RoHS	Environmentally Friendly Use Period = 50 years
	For information on hazardous substances, refer to the manufacturer's declaration available under "Downloads"



# VIP-3/SC/D37SUB/M/LED - Interface module



2322171

<https://www.phoenixcontact.com/in/products/2322171>

## Accessories

### CABLE D-SUB-S/.../.../... - Cable

2302340

<https://www.phoenixcontact.com/in/products/2302340>



Shielded round cable, assembled with one D-SUB female and pin strip (9-, 15-, 25-, 37-, or 50-pos.), variable cable length

---

### CABLE D-SUB-B-B-S/.../.../... - Cable

2302421

<https://www.phoenixcontact.com/in/products/2302421>



Shielded round cable, assembled with two D-SUB female strips (9-, 15-, 25-, 37-, or 50-pos.), variable cable length

# VIP-3/SC/D37SUB/M/LED - Interface module



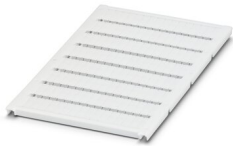
2322171

<https://www.phoenixcontact.com/in/products/2322171>

## UC-TM 4 - Marker for terminal blocks

0818111

<https://www.phoenixcontact.com/in/products/0818111>



Marker for terminal blocks, Sheet, white, unlabeled, can be labeled with: BLUEMARK ID COLOR, BLUEMARK ID, BLUEMARK CLED, PLOTMARK, CMS-P1-PLOTTER, mounting type: snapped, for terminal block width: 4.2 mm, lettering field size: 3.6 x 10.5 mm, Number of individual labels: 120

---

## UC-TM 6 - Marker for terminal blocks

0818085

<https://www.phoenixcontact.com/in/products/0818085>



Marker for terminal blocks, Sheet, white, unlabeled, can be labeled with: BLUEMARK ID COLOR, BLUEMARK ID, BLUEMARK CLED, PLOTMARK, CMS-P1-PLOTTER, mounting type: snapped, for terminal block width: 6.2 mm, lettering field size: 5.6 x 10.5 mm, Number of individual labels: 80

# VIP-3/SC/D37SUB/M/LED - Interface module



2322171

<https://www.phoenixcontact.com/in/products/2322171>

## UCT-TM 6 - Marker for terminal blocks

0828736

<https://www.phoenixcontact.com/in/products/0828736>



Marker for terminal blocks, Sheet, white, unlabeled, can be labeled with: TOPMARK NEO, TOPMARK LASER, BLUEMARK ID COLOR, BLUEMARK ID, BLUEMARK CLED, THERMOMARK PRIME, THERMOMARK CARD 2.0, THERMOMARK CARD, mounting type: snapped, for terminal block width: 6.2 mm, lettering field size: 5.6 x 10.5 mm, Number of individual labels: 60

---

## ZB 5,08:UNBEDRUCKT - Zack marker strip

0809793

<https://www.phoenixcontact.com/in/products/0809793>



Zack marker strip, Strip, white, unlabeled, can be labeled with: PLOTMARK, CMS-P1-PLOTTER, mounting type: snapped, for terminal block width: 5.08 mm, lettering field size: 4.98 x 10.5 mm, Number of individual labels: 10

## VIP-3/SC/D37SUB/M/LED - Interface module

2322171

<https://www.phoenixcontact.com/in/products/2322171>



## ZB 22:UNBEDRUCKT - Zack marker strip

0811862

<https://www.phoenixcontact.com/in/products/0811862>



Zack marker strip, Strip, white, unlabeled, can be labeled with: PLOTMARK, CMS-P1-PLOTTER, mounting type: snapped, for terminal block width: 22 mm, lettering field size: 10.5 x 21.8 mm, Number of individual labels: 4

---

## CABLE-D37SUB/B/S/ 50/KONFEK/S - Cable

2302191

<https://www.phoenixcontact.com/in/products/2302191>



Assembled shielded round cable; connection 1: D-SUB socket strip (1x 37-position); connection 2: D-SUB pin strip (1x 37-position); cable length: 0.5 m

# VIP-3/SC/D37SUB/M/LED - Interface module



2322171

<https://www.phoenixcontact.com/in/products/2322171>

## CABLE-D37SUB/B/S/100/KONFEK/S - Cable

2302201

<https://www.phoenixcontact.com/in/products/2302201>



Assembled shielded round cable; connection 1: D-SUB socket strip (1x 37-position); connection 2: D-SUB pin strip (1x 37-position); cable length: 1 m

---

## CABLE-D37SUB/B/S/150/KONFEK/S - Cable

2302214

<https://www.phoenixcontact.com/in/products/2302214>



Assembled shielded round cable; connection 1: D-SUB socket strip (1x 37-position); connection 2: D-SUB pin strip (1x 37-position); cable length: 1.5 m

# VIP-3/SC/D37SUB/M/LED - Interface module



2322171

<https://www.phoenixcontact.com/in/products/2322171>

## CABLE-D37SUB/B/S/200/KONFEK/S - Cable

2302227

<https://www.phoenixcontact.com/in/products/2302227>



Assembled shielded round cable; connection 1: D-SUB socket strip (1x 37-position); connection 2: D-SUB pin strip (1x 37-position); cable length: 2 m

---

## CABLE-D37SUB/B/S/300/KONFEK/S - Cable

2302230

<https://www.phoenixcontact.com/in/products/2302230>



Assembled shielded round cable; connection 1: D-SUB socket strip (1x 37-position); connection 2: D-SUB pin strip (1x 37-position); cable length: 3 m

# VIP-3/SC/D37SUB/M/LED - Interface module



2322171

<https://www.phoenixcontact.com/in/products/2322171>

## CABLE-D37SUB/B/S/400/KONFEK/S - Cable

2302243

<https://www.phoenixcontact.com/in/products/2302243>



Assembled shielded round cable; connection 1: D-SUB socket strip (1x 37-position); connection 2: D-SUB pin strip (1x 37-position); cable length: 4 m

---

## CABLE-D37SUB/B/S/600/KONFEK/S - Cable

2302256

<https://www.phoenixcontact.com/in/products/2302256>



Assembled shielded round cable; connection 1: D-SUB socket strip (1x 37-position); connection 2: D-SUB pin strip (1x 37-position); cable length: 6 m

# VIP-3/SC/D37SUB/M/LED - Interface module

2322171

<https://www.phoenixcontact.com/in/products/2322171>

## CABLE-D37SUB/B/S/HF/S/ 1,0M - Cable

1066608

<https://www.phoenixcontact.com/in/products/1066608>



Assembled, shielded, halogen-free round cable; connection 1: D-SUB socket strip (1x 37-position); connection 2: D-SUB pin strip (1x 37-position); cable length: 1 m

---

## CABLE-D37SUB/B/S/HF/S/ 2,0M - Cable

1066609

<https://www.phoenixcontact.com/in/products/1066609>



Assembled, shielded, halogen-free round cable; connection 1: D-SUB socket strip (1x 37-position); connection 2: D-SUB pin strip (1x 37-position); cable length: 2 m



# VIP-3/SC/D37SUB/M/LED - Interface module

2322171

<https://www.phoenixcontact.com/in/products/2322171>

## CABLE-D37SUB/B/S/HF/S/ 3,0M - Cable

1066611

<https://www.phoenixcontact.com/in/products/1066611>



Assembled, shielded, halogen-free round cable; connection 1: D-SUB socket strip (1x 37-position); connection 2: D-SUB pin strip (1x 37-position); cable length: 3 m

---

## CABLE-D37SUB-B-S-HF-S/... - Cable

1075562

<https://www.phoenixcontact.com/in/products/1075562>



Assembled, shielded, halogen-free round cable; connection 1: D-SUB socket strip (1x 37-position); connection 2: D-SUB pin strip (1x 37-position); cable length: variable

# VIP-3/SC/D37SUB/M/LED - Interface module

2322171

<https://www.phoenixcontact.com/in/products/2322171>

## CABLE-D-37SUB/F/OE/0,25/S/0,5M - Cable

2926221

<https://www.phoenixcontact.com/in/products/2926221>



Assembled shielded round cable; connection 1: Single wires (37-position) (The wires are marked and fitted with ferrules. The braided shield is routed to a separate cable end.); connection 2: D-SUB socket strip (1x 37-position); cable length: 0.5 m

---

## CABLE-D-37SUB/F/OE/0,25/S/1,0M - Cable

2926234

<https://www.phoenixcontact.com/in/products/2926234>



Assembled shielded round cable; connection 1: Single wires (37-position) (The wires are marked and fitted with ferrules. The braided shield is routed to a separate cable end.); connection 2: D-SUB socket strip (1x 37-position); cable length: 1 m

# VIP-3/SC/D37SUB/M/LED - Interface module

2322171

<https://www.phoenixcontact.com/in/products/2322171>

## CABLE-D-37SUB/F/OE/0,25/S/1,5M - Cable

2926247

<https://www.phoenixcontact.com/in/products/2926247>



Assembled shielded round cable; connection 1: Single wires (37-position) (The wires are marked and fitted with ferrules. The braided shield is routed to a separate cable end.); connection 2: D-SUB socket strip (1x 37-position); cable length: 1.5 m

---

## CABLE-D-37SUB/F/OE/0,25/S/2,0M - Cable

2926250

<https://www.phoenixcontact.com/in/products/2926250>



Assembled shielded round cable; connection 1: Single wires (37-position) (The wires are marked and fitted with ferrules. The braided shield is routed to a separate cable end.); connection 2: D-SUB socket strip (1x 37-position); cable length: 2 m

# VIP-3/SC/D37SUB/M/LED - Interface module

2322171

<https://www.phoenixcontact.com/in/products/2322171>

## CABLE-D-37SUB/F/OE/0,25/S/3,0M - Cable

2926263

<https://www.phoenixcontact.com/in/products/2926263>



Assembled shielded round cable; connection 1: Single wires (37-position) (The wires are marked and fitted with ferrules. The braided shield is routed to a separate cable end.); connection 2: D-SUB socket strip (1x 37-position); cable length: 3 m

---

## CABLE-D-37SUB/F/OE/0,25/S/4,0M - Cable

2926276

<https://www.phoenixcontact.com/in/products/2926276>



Assembled shielded round cable; connection 1: Single wires (37-position) (The wires are marked and fitted with ferrules. The braided shield is routed to a separate cable end.); connection 2: D-SUB socket strip (1x 37-position); cable length: 4 m

# VIP-3/SC/D37SUB/M/LED - Interface module

2322171

<https://www.phoenixcontact.com/in/products/2322171>

## CABLE-D-37SUB/F/OE/0,25/S/6,0M - Cable

2926289

<https://www.phoenixcontact.com/in/products/2926289>



Assembled shielded round cable; connection 1: Single wires (37-position) (The wires are marked and fitted with ferrules. The braided shield is routed to a separate cable end.); connection 2: D-SUB socket strip (1x 37-position); cable length: 6 m

---

## CABLE-D-37SUB/F/OE/0,25/S/10M - Cable

2906217

<https://www.phoenixcontact.com/in/products/2906217>



Assembled shielded round cable; connection 1: Single wires (37-position) (The wires are marked and fitted with ferrules. The braided shield is routed to a separate cable end.); connection 2: D-SUB socket strip (1x 37-position); cable length: 10 m

# VIP-3/SC/D37SUB/M/LED - Interface module



2322171

<https://www.phoenixcontact.com/in/products/2322171>

## CABLE-D-37SUB/F/OE/0,25/S/15M - Cable

2906218

<https://www.phoenixcontact.com/in/products/2906218>



Assembled shielded round cable; connection 1: Single wires (37-position) (The wires are marked and fitted with ferrules. The braided shield is routed to a separate cable end.); connection 2: D-SUB socket strip (1x 37-position); cable length: 15 m

---

## CABLE-D-37SUB/F/OE/0,25/S/20M - Cable

2906219

<https://www.phoenixcontact.com/in/products/2906219>



Assembled shielded round cable; connection 1: Single wires (37-position) (The wires are marked and fitted with ferrules. The braided shield is routed to a separate cable end.); connection 2: D-SUB socket strip (1x 37-position); cable length: 20 m

# VIP-3/SC/D37SUB/M/LED - Interface module



2322171

<https://www.phoenixcontact.com/in/products/2322171>

## CABLE-D-37SUB-F-OE-0,25-S/... - Cable

2900907

<https://www.phoenixcontact.com/in/products/2900907>



Assembled shielded round cable; connection 1: Single wires (37-position) (The wires are marked and fitted with ferrules. The braided shield is routed to a separate cable end.); connection 2: D-SUB socket strip (1x 37-position); cable length: variable

---

Phoenix Contact 2023 © - all rights reserved

<https://www.phoenixcontact.com>

PHOENIX CONTACT (I) Pvt. Ltd.

A-58/2, Okhla Industrial Area, Phase - II, New Delhi-110 020

+91.1275.71420

[info@phoenixcontact.co.in](mailto:info@phoenixcontact.co.in)