

# VIP-2/SC/D 9SUB/M/LED - Interface module



2322142

<https://www.phoenixcontact.com/in/products/2322142>

Please be informed that the data shown in this PDF document is generated from our Online Catalog. Please find the complete data in the user documentation. Our General Terms of Use for Downloads are valid.

VARIOFACE module, with screw connection and D-Subminiature pin strip, for mounting on NS 35 rails, with LED, 9-pos.



## Your advantages

- 9-pos. ... 50-pos.
- Metal foot
- In accordance with IEC 60603-13
- Screw connection
- 1:1 connection

## Commercial Data

Item number	2322142
Packing unit	1 pc
Minimum order quantity	1 pc
Note	Made to Order (non-returnable)
Sales Key	CK2
Product Key	CK2422
Catalog Page	Page 571 (C-5-2017)
GTIN	4046356451765
Weight per Piece (including packing)	89.5 g
Weight per Piece (excluding packing)	92.1 g
Customs tariff number	85366990
Country of origin	US

# VIP-2/SC/D 9SUB/M/LED - Interface module



2322142

<https://www.phoenixcontact.com/in/products/2322142>

## Technical Data

### Product properties

Product type	Interface module
Product family	VARIOFACE Professional
Number of positions	9

### Insulation characteristics

Overvoltage category	II
Pollution degree	2

### Electrical properties

Nominal voltage $U_N$	24 V DC
Max. current carrying capacity per branch	2.5 A

### Connection data

#### Field level

Connection in acc. with standard	IEC / EN
Connection method	Screw connection
Stripping length	8 mm
Screw thread	M3
Conductor cross section rigid	0.2 mm <sup>2</sup> ... 4 mm <sup>2</sup>
Conductor cross section flexible	0.2 mm <sup>2</sup> ... 2.5 mm <sup>2</sup>
Conductor cross section AWG	24 ... 12

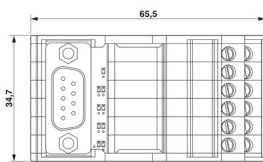
#### Controller level

Connection method	D-SUB pin strip
Number of connections	1
Number of positions	9

### Signaling

Status display	LED
Status display present	Yes

### Dimensions

Dimensional drawing	
Width	34.7 mm
Height	65.5 mm
Depth	45.1 mm

# VIP-2/SC/D 9SUB/M/LED - Interface module



2322142

<https://www.phoenixcontact.com/in/products/2322142>

## Material specifications

Flammability rating according to UL 94	V0
Housing insulation material	Polyamide 6 green

## Environmental and real-life conditions

### Ambient conditions

Ambient temperature (operation)	-20 °C ... 50 °C
Ambient temperature (storage/transport)	-20 °C ... 70 °C

## Standards and regulations

Standards/regulations	IEC 60664
	DIN EN 50178

## Mounting

Mounting type	DIN rail mounting
Mounting position	any

# VIP-2/SC/D 9SUB/M/LED - Interface module

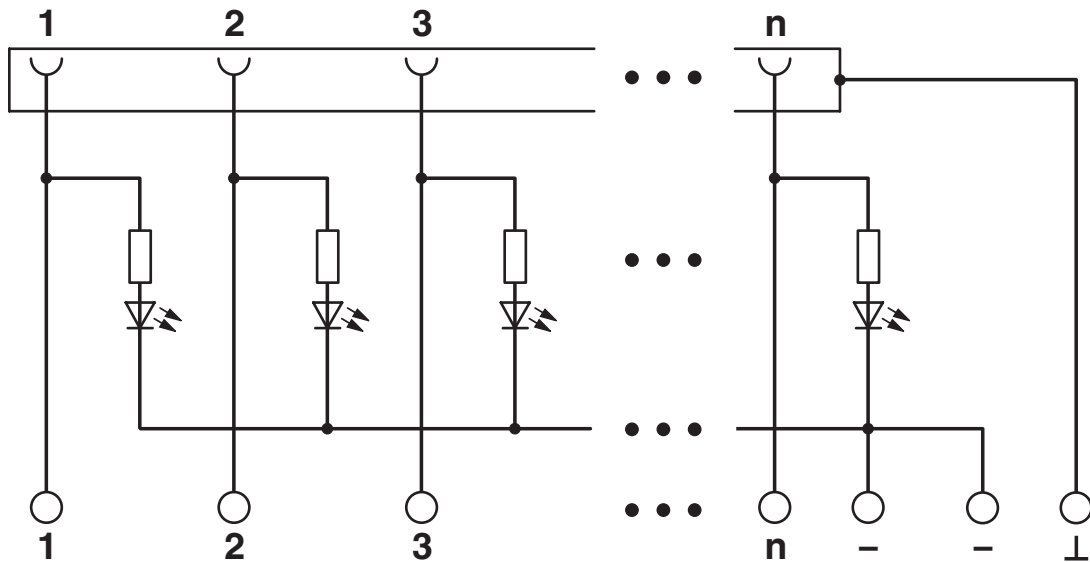


2322142

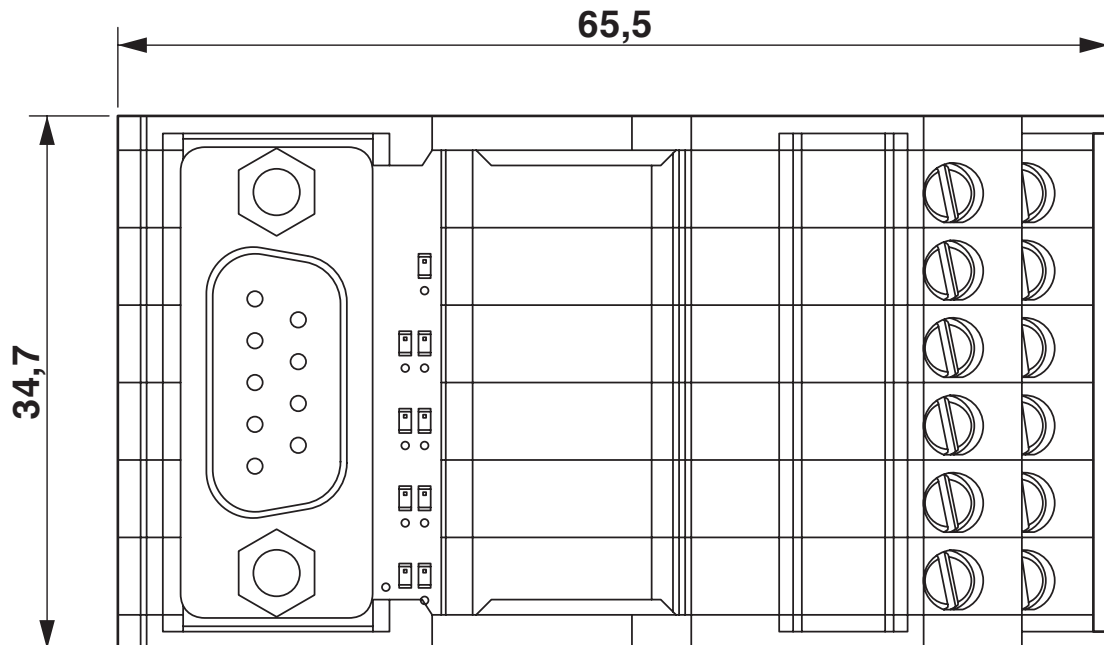
<https://www.phoenixcontact.com/in/products/2322142>

## Drawings

Circuit diagram



Dimensional drawing




# VIP-2/SC/D 9SUB/M/LED - Interface module



2322142


<https://www.phoenixcontact.com/in/products/2322142>

## Approvals

 <b>CSA</b> Approval ID: 2122203				
	Nominal Voltage $U_N$	Nominal Current $I_N$	Cross Section AWG	Cross Section $\text{mm}^2$
	24 V	2 A	28 - 12	-

 <b>cUL Recognized</b> Approval ID: FILE E 238705				
	Nominal Voltage $U_N$	Nominal Current $I_N$	Cross Section AWG	Cross Section $\text{mm}^2$
	24 V	2 A	30 - 12	-

 <b>UL Recognized</b> Approval ID: FILE E 238705				
	Nominal Voltage $U_N$	Nominal Current $I_N$	Cross Section AWG	Cross Section $\text{mm}^2$
	24 V	2 A	30 - 12	-

 <b>CSAus</b> Approval ID: 2122203				
	Nominal Voltage $U_N$	Nominal Current $I_N$	Cross Section AWG	Cross Section $\text{mm}^2$
	24 V	2 A	28 - 12	-

# VIP-2/SC/D 9SUB/M/LED - Interface module



2322142

<https://www.phoenixcontact.com/in/products/2322142>

## Classifications

### ECLASS

ECLASS-11.0	27141152
ECLASS-12.0	27141152
ECLASS-13.0	27141152

### ETIM

ETIM 8.0	EC002780
----------	----------

### UNSPSC

UNSPSC 21.0	39121400
-------------	----------

# VIP-2/SC/D 9SUB/M/LED - Interface module



2322142

<https://www.phoenixcontact.com/in/products/2322142>

## Environmental Product Compliance

REACH SVHC	Lead 7439-92-1
China RoHS	Environmentally Friendly Use Period = 50 years
	For information on hazardous substances, refer to the manufacturer's declaration available under "Downloads"

# VIP-2/SC/D 9SUB/M/LED - Interface module



2322142

<https://www.phoenixcontact.com/in/products/2322142>

## Accessories

### CABLE D-SUB-S/.../.../... - Cable

2302340

<https://www.phoenixcontact.com/in/products/2302340>



Shielded round cable, assembled with one D-SUB female and pin strip (9-, 15-, 25-, 37-, or 50-pos.), variable cable length

---

### CABLE D-SUB-B-B-S/.../.../... - Cable

2302421

<https://www.phoenixcontact.com/in/products/2302421>



Shielded round cable, assembled with two D-SUB female strips (9-, 15-, 25-, 37-, or 50-pos.), variable cable length



# VIP-2/SC/D 9SUB/M/LED - Interface module

2322142

<https://www.phoenixcontact.com/in/products/2322142>

## CABLE-D 9SUB/B/S/ 50/KONFEK/S - Cable

2299987

<https://www.phoenixcontact.com/in/products/2299987>



Assembled shielded round cable; connection 1: D-SUB socket strip (1x 9-position); connection 2: D-SUB pin strip (1x 9-position); cable length: 0.5 m

---

## CABLE-D 9SUB/B/S/100/KONFEK/S - Cable

2299990

<https://www.phoenixcontact.com/in/products/2299990>



Assembled shielded round cable; connection 1: D-SUB socket strip (1x 9-position); connection 2: D-SUB pin strip (1x 9-position); cable length: 1 m

# VIP-2/SC/D 9SUB/M/LED - Interface module



2322142

<https://www.phoenixcontact.com/in/products/2322142>

## CABLE-D 9SUB/B/S/150/KONFEK/S - Cable

2300009

<https://www.phoenixcontact.com/in/products/2300009>



Assembled shielded round cable; connection 1: D-SUB socket strip (1x 9-position); connection 2: D-SUB pin strip (1x 9-position); cable length: 1.5 m

---

## CABLE-D 9SUB/B/S/200/KONFEK/S - Cable

2302010

<https://www.phoenixcontact.com/in/products/2302010>



Assembled shielded round cable; connection 1: D-SUB socket strip (1x 9-position); connection 2: D-SUB pin strip (1x 9-position); cable length: 2 m

# VIP-2/SC/D 9SUB/M/LED - Interface module



2322142

<https://www.phoenixcontact.com/in/products/2322142>

## CABLE-D 9SUB/B/S/300/KONFEK/S - Cable

2302023

<https://www.phoenixcontact.com/in/products/2302023>



Assembled shielded round cable; connection 1: D-SUB socket strip (1x 9-position); connection 2: D-SUB pin strip (1x 9-position); cable length: 3 m

---

## CABLE-D 9SUB/B/S/400/KONFEK/S - Cable

2302036

<https://www.phoenixcontact.com/in/products/2302036>



Assembled shielded round cable; connection 1: D-SUB socket strip (1x 9-position); connection 2: D-SUB pin strip (1x 9-position); cable length: 4 m

# VIP-2/SC/D 9SUB/M/LED - Interface module

2322142

<https://www.phoenixcontact.com/in/products/2322142>

## CABLE-D 9SUB/B/S/600/KONFEK/S - Cable

2302049

<https://www.phoenixcontact.com/in/products/2302049>



Assembled shielded round cable; connection 1: D-SUB socket strip (1x 9-position); connection 2: D-SUB pin strip (1x 9-position); cable length: 6 m

---

## CABLE-D 9SUB/B/S/HF/S/ 1,0M - Cable

1066591

<https://www.phoenixcontact.com/in/products/1066591>



Assembled, shielded, halogen-free round cable; connection 1: D-SUB socket strip (1x 9-position); connection 2: D-SUB pin strip (1x 9-position); cable length: 1 m

# VIP-2/SC/D 9SUB/M/LED - Interface module

2322142

<https://www.phoenixcontact.com/in/products/2322142>

## CABLE-D 9SUB/B/S/HF/S/ 2,0M - Cable

1066592

<https://www.phoenixcontact.com/in/products/1066592>



Assembled, shielded, halogen-free round cable; connection 1: D-SUB socket strip (1x 9-position); connection 2: D-SUB pin strip (1x 9-position); cable length: 2 m

---

## CABLE-D 9SUB/B/S/HF/S/ 3,0M - Cable

1066593

<https://www.phoenixcontact.com/in/products/1066593>



Assembled, shielded, halogen-free round cable; connection 1: D-SUB socket strip (1x 9-position); connection 2: D-SUB pin strip (1x 9-position); cable length: 3 m

# VIP-2/SC/D 9SUB/M/LED - Interface module

2322142

<https://www.phoenixcontact.com/in/products/2322142>

## CABLE-D 9SUB-B-S-HF-S/... - Cable

1075568

<https://www.phoenixcontact.com/in/products/1075568>



Assembled, shielded, halogen-free round cable; connection 1: D-SUB socket strip (1x 9-position); connection 2: D-SUB pin strip (1x 9-position); cable length: variable

---

## CABLE-D- 9SUB/F/OE/0,25/S/0,5M - Cable

2926014

<https://www.phoenixcontact.com/in/products/2926014>



Assembled shielded round cable; connection 1: Single wires (9-position) (The wires are marked and fitted with ferrules. The braided shield is routed to a separate cable end.); connection 2: D-SUB socket strip (1x 9-position); cable length: 0.5 m

# VIP-2/SC/D 9SUB/M/LED - Interface module

2322142

<https://www.phoenixcontact.com/in/products/2322142>

## CABLE-D- 9SUB/F/OE/0,25/S/1,0M - Cable

2926027

<https://www.phoenixcontact.com/in/products/2926027>



Assembled shielded round cable; connection 1: Single wires (9-position) (The wires are marked and fitted with ferrules. The braided shield is routed to a separate cable end.); connection 2: D-SUB socket strip (1x 9-position); cable length: 1 m

---

## CABLE-D- 9SUB/F/OE/0,25/S/1,5M - Cable

2926030

<https://www.phoenixcontact.com/in/products/2926030>



Assembled shielded round cable; connection 1: Single wires (9-position) (The wires are marked and fitted with ferrules. The braided shield is routed to a separate cable end.); connection 2: D-SUB socket strip (1x 9-position); cable length: 1.5 m

# VIP-2/SC/D 9SUB/M/LED - Interface module



2322142

<https://www.phoenixcontact.com/in/products/2322142>

## CABLE-D- 9SUB/F/OE/0,25/S/2,0M - Cable

2926043

<https://www.phoenixcontact.com/in/products/2926043>



Assembled shielded round cable; connection 1: Single wires (9-position) (The wires are marked and fitted with ferrules. The braided shield is routed to a separate cable end.); connection 2: D-SUB socket strip (1x 9-position); cable length: 2 m

---

## CABLE-D- 9SUB/F/OE/0,25/S/3,0M - Cable

2926056

<https://www.phoenixcontact.com/in/products/2926056>



Assembled shielded round cable; connection 1: Single wires (9-position) (The wires are marked and fitted with ferrules. The braided shield is routed to a separate cable end.); connection 2: D-SUB socket strip (1x 9-position); cable length: 3 m



# VIP-2/SC/D 9SUB/M/LED - Interface module

2322142

<https://www.phoenixcontact.com/in/products/2322142>

## CABLE-D- 9SUB/F/OE/0,25/S/4,0M - Cable

2926069

<https://www.phoenixcontact.com/in/products/2926069>



Assembled shielded round cable; connection 1: Single wires (9-position) (The wires are marked and fitted with ferrules. The braided shield is routed to a separate cable end.); connection 2: D-SUB socket strip (1x 9-position); cable length: 4 m

---

## CABLE-D- 9SUB/F/OE/0,25/S/6,0M - Cable

2926072

<https://www.phoenixcontact.com/in/products/2926072>



Assembled shielded round cable; connection 1: Single wires (9-position) (The wires are marked and fitted with ferrules. The braided shield is routed to a separate cable end.); connection 2: D-SUB socket strip (1x 9-position); cable length: 6 m

# VIP-2/SC/D 9SUB/M/LED - Interface module



2322142

<https://www.phoenixcontact.com/in/products/2322142>

## CABLE-D- 9SUB-F-OE-0,25-S/... - Cable

2900903

<https://www.phoenixcontact.com/in/products/2900903>



Assembled shielded round cable; connection 1: Single wires (9-position) (The wires are marked and fitted with ferrules. The braided shield is routed to a separate cable end.); connection 2: D-SUB socket strip (1x 9-position); cable length: variable

---

Phoenix Contact 2023 © - all rights reserved

<https://www.phoenixcontact.com>

PHOENIX CONTACT (I) Pvt. Ltd.

A-58/2, Okhla Industrial Area, Phase - II, New Delhi-110 020

+91.1275.71420

[info@phoenixcontact.co.in](mailto:info@phoenixcontact.co.in)