

UPS-BAT/VRLA/24DC/38AH - Energy storage



2320335

<https://www.phoenixcontact.com/in/products/2320335>

Please be informed that the data shown in this PDF document is generated from our Online Catalog. Please find the complete data in the user documentation. Our General Terms of Use for Downloads are valid.



Energy storage device, lead AGM, VRLA technology, 24 V DC, 38 Ah, automatic detection, and communication with QUINT UPS-IQ

Product Description

For continuous monitoring and intelligent management, there is constant communication with the QUINT UPS. Thanks to automatic detection of the energy storage, and tool-free switching during operation, quick installation is possible. The QUINT UPS with IQ technology energy storage leaves the warehouse fully charged.

Your advantages

- Maximum buffer times
- Consists of 2 x 12 V battery modules and an electronic monitoring unit
- Lead AGM (Absorbent Glass Mat) technology

Commercial Data

Item number	2320335
Packing unit	1 pc
Minimum order quantity	1 pc
Sales Key	CMU
Product Key	CMUEV3
Catalog Page	Page 337 (C-4-2019)
GTIN	4046356599061
Weight per Piece (including packing)	25,616 g
Weight per Piece (excluding packing)	25,300 g
Customs tariff number	85072080
Country of origin	CN

UPS-BAT/VRLA/24DC/38AH - Energy storage



2320335

<https://www.phoenixcontact.com/in/products/2320335>

Technical Data

Input data

Input voltage	24 V DC
Buffer period	72 min. (20 A)
	35 min. (40 A)

Output data

Nominal output voltage	24 V DC
Output current I_{\max}	45 A
Output fuse	2x 25 A ATOF 32V
Connection in parallel	5
Connection in series	No

Battery operation

Nominal output voltage	24 V DC
Nominal output current (I_N)	45 A

Energy storage

End-of-charge voltage	27.6 V (20 °C)
Charging current	15.2 A
Nominal capacity	38 Ah
Latest startup date (battery only)	12 Months (0 °C ... 20 °C)
Latest startup (battery only) - range	9 Months ... 12 Months (20 °C ... 30 °C)
	6 Months ... 9 Months (30 °C ... 40 °C)
Battery technology	VRLA-AGM
Memory medium	Lead rechargeable battery module
Accumulator type	Panasonic LC-P1238APG
Number of cells	2
Size designation	Block
Battery pack	yes
Disposal	Used batteries must not be thrown away with household waste, they should instead be disposed of in accordance with applicable national regulations.
IQ technology	Yes
Temperature sensor	yes
Suitable for fast charging	yes
Approved according to	UL Style 3321150 °C 600 V AC 750 V DC

Product properties

Product type	Battery unit
Product family	Energy storage
Disposal	Used batteries must not be thrown away with household waste, they should instead be disposed of in accordance with applicable national regulations.

UPS-BAT/VRLA/24DC/38AH - Energy storage



2320335

<https://www.phoenixcontact.com/in/products/2320335>

IQ technology	Yes
---------------	-----

Insulation characteristics

Protection class	III
Degree of pollution	2

Dimensions

Width	330 mm
Height	221 mm
Depth	197 mm

Mounting

Mounting position	horizontally, on a mounting plate
-------------------	-----------------------------------

Material specifications

Color	black
Housing material	Plastic
Type of housing	Plastic

Cable/line

Battery connecting cable: A+/-

Cable cross section	6 mm ²
Cable length	340 mm
Color	red/black

Battery connecting cable: B+/-

Cable cross section	6 mm ²
Cable length	110 mm
Color	red/black

Environmental and real-life conditions

Ambient conditions

Degree of protection	IP20
Ambient temperature (operation)	0 °C ... 40 °C
Ambient temperature (storage/transport)	0 °C ... 40 °C
Max. permissible relative humidity (operation)	95 %
Shock	18 ms, 30g, in each space direction (according to IEC 60068-2-27)
Vibration (operation)	< 15 Hz, amplitude ±2,5 mm, 15 Hz ... 150 Hz, according to IEC 60068-2-6 15 Hz ... 150 Hz, 2.3g, 90 min.

Standards and regulations

Standard - Electrical safety	EN 62368-1/VDE 0868-1
------------------------------	-----------------------

UPS-BAT/VRLA/24DC/38AH - Energy storage



2320335

<https://www.phoenixcontact.com/in/products/2320335>

Approvals

Shipbuilding approval	DNV GL (EMC A), ABS
UL approvals	UL/C-UL listed UL 508
	UL/C-UL Recognized UL 60950-1
	UL ANSI/ISA-12.12.01 Class I, Division 2, Groups A, B, C, D (Hazardous Location)
VdS approval	G 100002

Ex data

Suited for EX-applications	No
----------------------------	----

UPS-BAT/VRLA/24DC/38AH - Energy storage

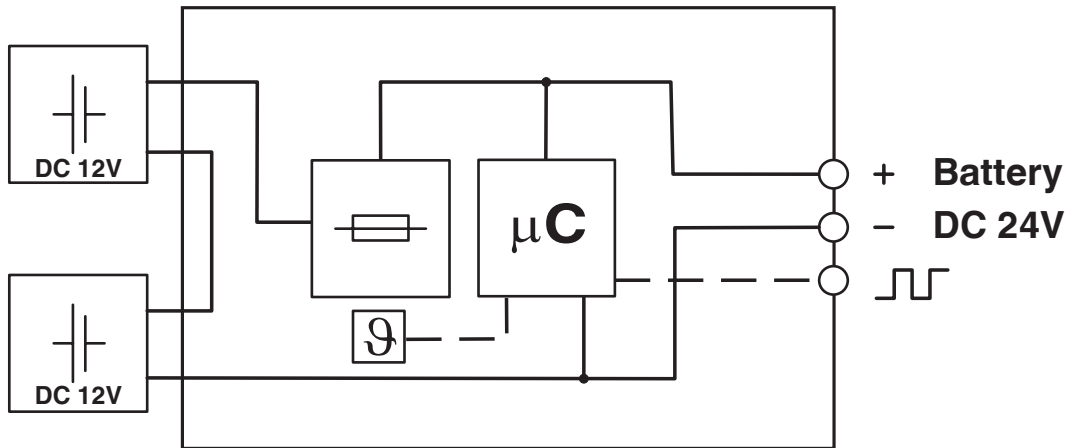


2320335

<https://www.phoenixcontact.com/in/products/2320335>

Drawings

Block diagram



UPS-BAT/VRLA/24DC/38AH - Energy storage



2320335

<https://www.phoenixcontact.com/in/products/2320335>

Classifications

ECLASS

ECLASS-11.0	27050403
ECLASS-12.0	27050403

ETIM

ETIM 8.0	EC000357
----------	----------

UNSPSC

UNSPSC 21.0	26111700
-------------	----------

UPS-BAT/VRLA/24DC/38AH - Energy storage



2320335

<https://www.phoenixcontact.com/in/products/2320335>

Environmental Product Compliance

REACH SVHC	Lead 7439-92-1
China RoHS	Environmentally Friendly Use Period = 6
	For information on hazardous substances, refer to the manufacturer's declaration available under "Downloads"

2320335

<https://www.phoenixcontact.com/in/products/2320335>

Accessories

BATTERY MOUNTING CASE - Mounting set for securing the batteries

2320458

<https://www.phoenixcontact.com/in/products/2320458>

Used for mounting batteries that cannot be mounted on DIN rails.



BATTERY MOUNTING KIT - Mounting set for securing the batteries

2320788

<https://www.phoenixcontact.com/in/products/2320788>

Used for mounting batteries that cannot be mounted on DIN rails.



UPS-BAT/VRLA/24DC/38AH - Energy storage



2320335

<https://www.phoenixcontact.com/in/products/2320335>

FUSE 25A/32V ATOF - Fuse

2908366

<https://www.phoenixcontact.com/in/products/2908366>



Fuse, nominal current: 25 A, length: 19.1 mm, width: 5 mm, height: 18.8 mm

UPS-BAT-KIT-VRLA 2X12V/38AH - Uninterruptible power supply replacement battery

2908237

<https://www.phoenixcontact.com/in/products/2908237>

Replacement battery for UPS-BAT/VRLA... energy storage



Phoenix Contact 2023 © - all rights reserved

<https://www.phoenixcontact.com>

PHOENIX CONTACT (I) Pvt. Ltd.

A-58/2, Okhla Industrial Area, Phase - II, New Delhi-110 020

+91.1275.71420

info@phoenixcontact.co.in