

# VIP-2/SC/D15SUB/M - Interface module



2315120

<https://www.phoenixcontact.com/in/products/2315120>

Please be informed that the data shown in this PDF document is generated from our Online Catalog. Please find the complete data in the user documentation. Our General Terms of Use for Downloads are valid.



VARIOFACE module, with screw connection and male D-Subminiature pin strip, for mounting on NS 35 rails, 15-pos.

## Your advantages

- 9-pos. ... 50-pos.
- Metal foot
- In accordance with IEC 60603-13
- 1:1 connection
- Screw connection

## Commercial Data

Item number	2315120
Packing unit	1 pc
Minimum order quantity	1 pc
Sales Key	CK2
Product Key	CK2421
Catalog Page	Page 552 (C-5-2019)
GTIN	4046356312912
Weight per Piece (including packing)	107.2 g
Weight per Piece (excluding packing)	106.3 g
Customs tariff number	85366990
Country of origin	US

# VIP-2/SC/D15SUB/M - Interface module



2315120

<https://www.phoenixcontact.com/in/products/2315120>

## Technical Data

### Product properties

Product type	Interface module
Product family	VARIOFACE Professional
Number of positions	15

### Insulation characteristics

Overvoltage category	II
Pollution degree	2

### Electrical properties

Nominal voltage $U_N$	25 V AC
	60 V DC
Max. current carrying capacity per branch	2 A
Rated surge voltage	1.2 kV

### Connection data

#### Field level

Connection in acc. with standard	IEC / EN
Connection method	Screw connection
Stripping length	8 mm
Screw thread	M 3
Conductor cross section rigid	0.2 mm <sup>2</sup> ... 4 mm <sup>2</sup>
Conductor cross section flexible	0.2 mm <sup>2</sup> ... 2.5 mm <sup>2</sup>
Conductor cross section AWG	24 ... 12

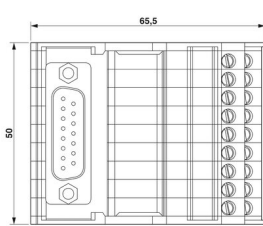
#### Controller level

Connection method	D-SUB pin strip
Number of connections	1
Number of positions	15

### Signaling

Status display present	No
------------------------	----

### Dimensions

Dimensional drawing	
Width	45 mm

# VIP-2/SC/D15SUB/M - Interface module



2315120

<https://www.phoenixcontact.com/in/products/2315120>

Height	65.5 mm
Depth	45.1 mm

## Material specifications

Flammability rating according to UL 94	V0
Housing insulation material	Polyamide PA non-reinforced

## Environmental and real-life conditions

### Ambient conditions

Ambient temperature (operation)	-20 °C ... 50 °C
Ambient temperature (storage/transport)	-20 °C ... 70 °C

## Standards and regulations

Standards/regulations	IEC 60664
	DIN EN 50178

## Mounting

Mounting type	DIN rail mounting
Mounting position	any

# VIP-2/SC/D15SUB/M - Interface module

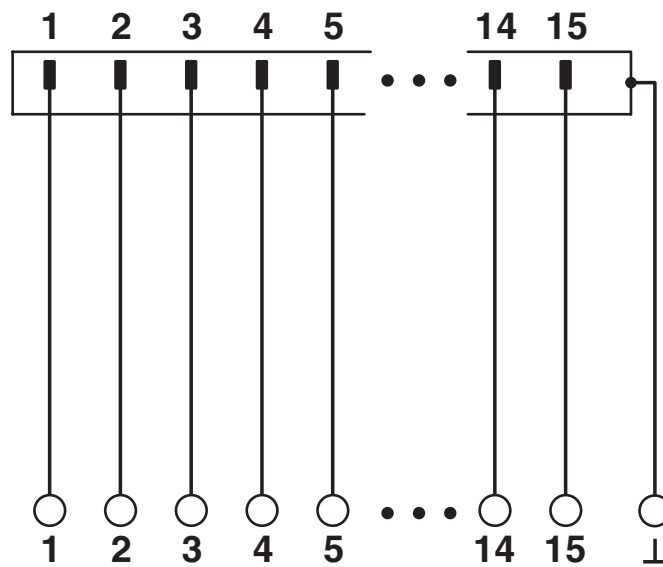
2315120

<https://www.phoenixcontact.com/in/products/2315120>



## Drawings

Circuit diagram

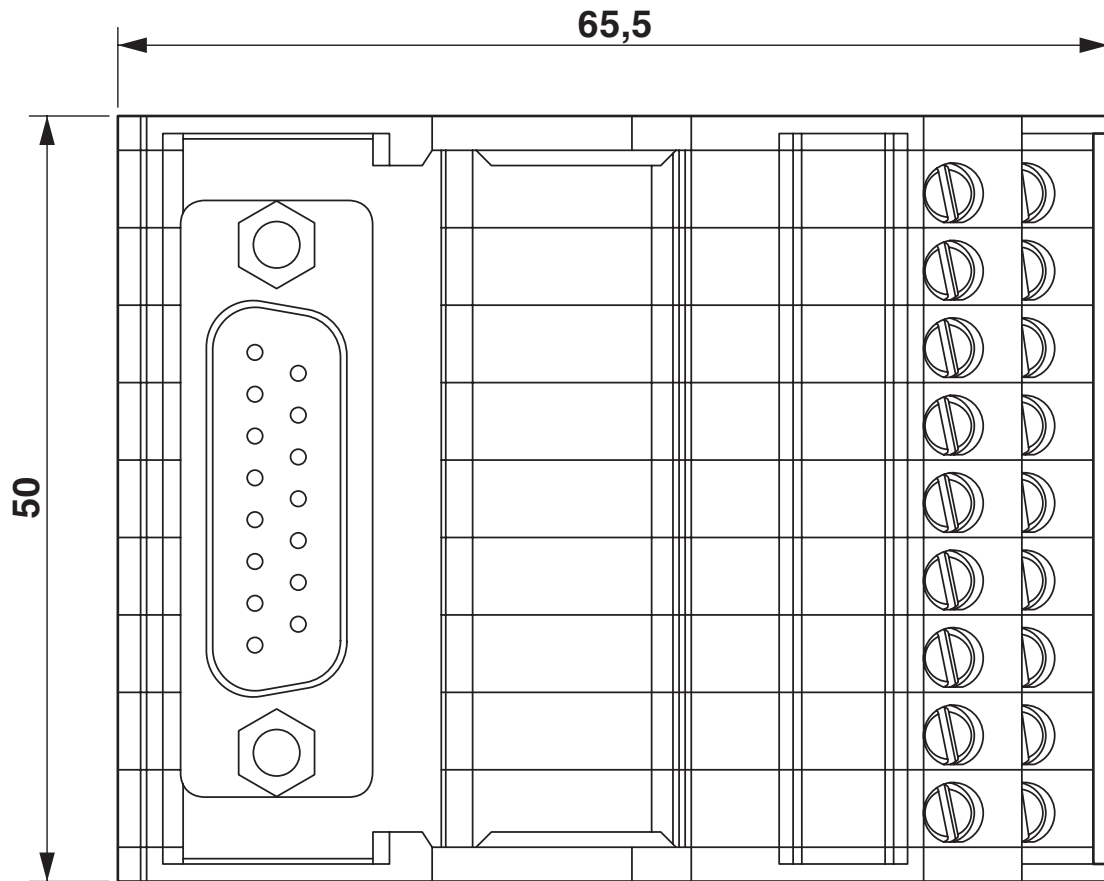


# VIP-2/SC/D15SUB/M - Interface module

2315120

<https://www.phoenixcontact.com/in/products/2315120>

Dimensional drawing




# VIP-2/SC/D15SUB/M - Interface module





2315120


<https://www.phoenixcontact.com/in/products/2315120>


## Approvals

 <b>CSA</b> Approval ID: 2122203				
	Nominal Voltage $U_N$	Nominal Current $I_N$	Cross Section AWG	Cross Section $\text{mm}^2$
	105 V	2 A	28 - 14	-

 <b>cUL Recognized</b> Approval ID: FILE E 238705				
	Nominal Voltage $U_N$	Nominal Current $I_N$	Cross Section AWG	Cross Section $\text{mm}^2$
	125 V	2 A	30 - 12	-

 <b>UL Recognized</b> Approval ID: FILE E 238705				
	Nominal Voltage $U_N$	Nominal Current $I_N$	Cross Section AWG	Cross Section $\text{mm}^2$
	125 V	2 A	30 - 12	-

 <b>EAC</b> Approval ID: EAC-Zulassung				
--	--	--	--	--

 <b>CSAus</b> Approval ID: 2122203				
	Nominal Voltage $U_N$	Nominal Current $I_N$	Cross Section AWG	Cross Section $\text{mm}^2$
	105 V	2 A	28 - 14	-

# VIP-2/SC/D15SUB/M - Interface module



2315120

<https://www.phoenixcontact.com/in/products/2315120>

## Classifications

### ECLASS

ECLASS-11.0	27141152
ECLASS-12.0	27141152
ECLASS-13.0	27141152

### ETIM

ETIM 8.0	EC002780
----------	----------

### UNSPSC

UNSPSC 21.0	39121400
-------------	----------

# VIP-2/SC/D15SUB/M - Interface module



2315120

<https://www.phoenixcontact.com/in/products/2315120>

## Environmental Product Compliance

REACH SVHC	Lead 7439-92-1
China RoHS	Environmentally Friendly Use Period = 50 years
	For information on hazardous substances, refer to the manufacturer's declaration available under "Downloads"



# VIP-2/SC/D15SUB/M - Interface module



2315120

<https://www.phoenixcontact.com/in/products/2315120>

## Accessories

### CABLE D-SUB-S/.../.../... - Cable

2302340

<https://www.phoenixcontact.com/in/products/2302340>



Shielded round cable, assembled with one D-SUB female and pin strip (9-, 15-, 25-, 37-, or 50-pos.), variable cable length

---

### CABLE D-SUB-B-B-S/.../.../... - Cable

2302421

<https://www.phoenixcontact.com/in/products/2302421>



Shielded round cable, assembled with two D-SUB female strips (9-, 15-, 25-, 37-, or 50-pos.), variable cable length

# VIP-2/SC/D15SUB/M - Interface module



2315120

<https://www.phoenixcontact.com/in/products/2315120>

## UC-TM 4 - Marker for terminal blocks

0818111

<https://www.phoenixcontact.com/in/products/0818111>



Marker for terminal blocks, Sheet, white, unlabeled, can be labeled with: BLUEMARK ID COLOR, BLUEMARK ID, BLUEMARK CLED, PLOTMARK, CMS-P1-PLOTTER, mounting type: snapped, for terminal block width: 4.2 mm, lettering field size: 3.6 x 10.5 mm, Number of individual labels: 120

---

## UC-TM 6 - Marker for terminal blocks

0818085

<https://www.phoenixcontact.com/in/products/0818085>



Marker for terminal blocks, Sheet, white, unlabeled, can be labeled with: BLUEMARK ID COLOR, BLUEMARK ID, BLUEMARK CLED, PLOTMARK, CMS-P1-PLOTTER, mounting type: snapped, for terminal block width: 6.2 mm, lettering field size: 5.6 x 10.5 mm, Number of individual labels: 80

# VIP-2/SC/D15SUB/M - Interface module



2315120

<https://www.phoenixcontact.com/in/products/2315120>

## UCT-TM 6 - Marker for terminal blocks

0828736

<https://www.phoenixcontact.com/in/products/0828736>



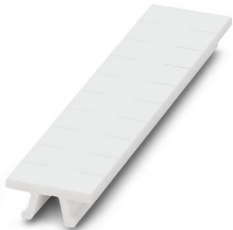
Marker for terminal blocks, Sheet, white, unlabeled, can be labeled with: TOPMARK NEO, TOPMARK LASER, BLUEMARK ID COLOR, BLUEMARK ID, BLUEMARK CLED, THERMOMARK PRIME, THERMOMARK CARD 2.0, THERMOMARK CARD, mounting type: snapped, for terminal block width: 6.2 mm, lettering field size: 5.6 x 10.5 mm, Number of individual labels: 60

---

## ZB 5,08:UNBEDRUCKT - Zack marker strip

0809793

<https://www.phoenixcontact.com/in/products/0809793>



Zack marker strip, Strip, white, unlabeled, can be labeled with: PLOTMARK, CMS-P1-PLOTTER, mounting type: snapped, for terminal block width: 5.08 mm, lettering field size: 4.98 x 10.5 mm, Number of individual labels: 10

# VIP-2/SC/D15SUB/M - Interface module



2315120

<https://www.phoenixcontact.com/in/products/2315120>

## ZB 22:UNBEDRUCKT - Zack marker strip

0811862

<https://www.phoenixcontact.com/in/products/0811862>



Zack marker strip, Strip, white, unlabeled, can be labeled with: PLOTMARK, CMS-P1-PLOTTER, mounting type: snapped, for terminal block width: 22 mm, lettering field size: 10.5 x 21.8 mm, Number of individual labels: 4

---

## CABLE-D15SUB/B/S/ 50/KONFEK/S - Cable

2302052

<https://www.phoenixcontact.com/in/products/2302052>



Assembled shielded round cable; connection 1: D-SUB socket strip (1x 15-position); connection 2: D-SUB pin strip (1x 15-position); cable length: 0.5 m

# VIP-2/SC/D15SUB/M - Interface module



2315120

<https://www.phoenixcontact.com/in/products/2315120>

## CABLE-D15SUB/B/S/100/KONFEK/S - Cable

2302065

<https://www.phoenixcontact.com/in/products/2302065>



Assembled shielded round cable; connection 1: D-SUB socket strip (1x 15-position); connection 2: D-SUB pin strip (1x 15-position); cable length: 1 m

---

## CABLE-D15SUB/B/S/150/KONFEK/S - Cable

2302078

<https://www.phoenixcontact.com/in/products/2302078>



Assembled shielded round cable; connection 1: D-SUB socket strip (1x 15-position); connection 2: D-SUB pin strip (1x 15-position); cable length: 1.5 m

# VIP-2/SC/D15SUB/M - Interface module



2315120

<https://www.phoenixcontact.com/in/products/2315120>

## CABLE-D15SUB/B/S/200/KONFEK/S - Cable

2302081

<https://www.phoenixcontact.com/in/products/2302081>



Assembled shielded round cable; connection 1: D-SUB socket strip (1x 15-position); connection 2: D-SUB pin strip (1x 15-position); cable length: 2 m

---

## CABLE-D15SUB/B/S/300/KONFEK/S - Cable

2302094

<https://www.phoenixcontact.com/in/products/2302094>



Assembled shielded round cable; connection 1: D-SUB socket strip (1x 15-position); connection 2: D-SUB pin strip (1x 15-position); cable length: 3 m

# VIP-2/SC/D15SUB/M - Interface module

2315120

<https://www.phoenixcontact.com/in/products/2315120>

## CABLE-D15SUB/B/S/400/KONFEK/S - Cable

2302104

<https://www.phoenixcontact.com/in/products/2302104>



Assembled shielded round cable; connection 1: D-SUB socket strip (1x 15-position); connection 2: D-SUB pin strip (1x 15-position); cable length: 4 m

---

## CABLE-D15SUB/B/S/600/KONFEK/S - Cable

2302117

<https://www.phoenixcontact.com/in/products/2302117>



Assembled shielded round cable; connection 1: D-SUB socket strip (1x 15-position); connection 2: D-SUB pin strip (1x 15-position); cable length: 6 m

# VIP-2/SC/D15SUB/M - Interface module



2315120

<https://www.phoenixcontact.com/in/products/2315120>

## CABLE-D15SUB/B/S/HF/S/ 1,0M - Cable

1066600

<https://www.phoenixcontact.com/in/products/1066600>



Assembled, shielded, halogen-free round cable; connection 1: D-SUB socket strip (1x 15-position); connection 2: D-SUB pin strip (1x 15-position); cable length: 1 m

---

## CABLE-D15SUB/B/S/HF/S/ 2,0M - Cable

1066602

<https://www.phoenixcontact.com/in/products/1066602>



Assembled, shielded, halogen-free round cable; connection 1: D-SUB socket strip (1x 15-position); connection 2: D-SUB pin strip (1x 15-position); cable length: 2 m



# VIP-2/SC/D15SUB/M - Interface module

2315120

<https://www.phoenixcontact.com/in/products/2315120>

## CABLE-D15SUB/B/S/HF/S/ 3,0M - Cable

1066603

<https://www.phoenixcontact.com/in/products/1066603>



Assembled, shielded, halogen-free round cable; connection 1: D-SUB socket strip (1x 15-position); connection 2: D-SUB pin strip (1x 15-position); cable length: 3 m

---

## CABLE-D15SUB-B-S-HF-S/... - Cable

1075565

<https://www.phoenixcontact.com/in/products/1075565>



Assembled, shielded, halogen-free round cable; connection 1: D-SUB socket strip (1x 15-position); connection 2: D-SUB pin strip (1x 15-position); cable length: variable

# VIP-2/SC/D15SUB/M - Interface module



2315120

<https://www.phoenixcontact.com/in/products/2315120>

## CABLE-D15SUB/B/B/100/KONFEK/S - Cable

2305444

<https://www.phoenixcontact.com/in/products/2305444>



Assembled shielded round cable; connection 1: D-SUB socket strip (1x 15-position); connection 2: D-SUB socket strip (1x 15-position); cable length: 1 m

---

## CABLE-D15SUB/B/B/200/KONFEK/S - Cable

2305457

<https://www.phoenixcontact.com/in/products/2305457>



Assembled shielded round cable; connection 1: D-SUB socket strip (1x 15-position); connection 2: D-SUB socket strip (1x 15-position); cable length: 2 m

# VIP-2/SC/D15SUB/M - Interface module



2315120

<https://www.phoenixcontact.com/in/products/2315120>

## CABLE-D15SUB/B/B/300/KONFEK/S - Cable

2305460

<https://www.phoenixcontact.com/in/products/2305460>



Assembled shielded round cable; connection 1: D-SUB socket strip (1x 15-position); connection 2: D-SUB socket strip (1x 15-position); cable length: 3 m

---

## CABLE-D15SUB/B/B/HF/S/ 1,0M - Cable

1066597

<https://www.phoenixcontact.com/in/products/1066597>



Assembled, shielded, halogen-free round cable; connection 1: D-SUB socket strip (1x 15-position); connection 2: D-SUB socket strip (1x 15-position); cable length: 1 m

# VIP-2/SC/D15SUB/M - Interface module

2315120

<https://www.phoenixcontact.com/in/products/2315120>

## CABLE-D15SUB/B/B/HF/S/ 2,0M - Cable

1066598

<https://www.phoenixcontact.com/in/products/1066598>



Assembled, shielded, halogen-free round cable; connection 1: D-SUB socket strip (1x 15-position); connection 2: D-SUB socket strip (1x 15-position); cable length: 2 m

---

## CABLE-D15SUB/B/B/HF/S/ 3,0M - Cable

1066599

<https://www.phoenixcontact.com/in/products/1066599>



Assembled, shielded, halogen-free round cable; connection 1: D-SUB socket strip (1x 15-position); connection 2: D-SUB socket strip (1x 15-position); cable length: 3 m

# VIP-2/SC/D15SUB/M - Interface module

2315120

<https://www.phoenixcontact.com/in/products/2315120>

## CABLE-D15SUB-B-B-HF-S/... - Cable

1075566

<https://www.phoenixcontact.com/in/products/1075566>



Assembled, shielded, halogen-free round cable; connection 1: D-SUB socket strip (1x 15-position); connection 2: D-SUB socket strip (1x 15-position); cable length: variable

---

## CABLE-D-15SUB/F/OE/0,25/S/0,5M - Cable

2926085

<https://www.phoenixcontact.com/in/products/2926085>



Assembled shielded round cable; connection 1: Single wires (15-position) (The wires are marked and fitted with ferrules. The braided shield is routed to a separate cable end.); connection 2: D-SUB socket strip (1x 15-position); cable length: 0.5 m

# VIP-2/SC/D15SUB/M - Interface module

2315120

<https://www.phoenixcontact.com/in/products/2315120>

## CABLE-D-15SUB/F/OE/0,25/S/1,0M - Cable

2926098

<https://www.phoenixcontact.com/in/products/2926098>



Assembled shielded round cable; connection 1: Single wires (15-position) (The wires are marked and fitted with ferrules. The braided shield is routed to a separate cable end.); connection 2: D-SUB socket strip (1x 15-position); cable length: 1 m

---

## CABLE-D-15SUB/F/OE/0,25/S/1,5M - Cable

2926108

<https://www.phoenixcontact.com/in/products/2926108>



Assembled shielded round cable; connection 1: Single wires (15-position) (The wires are marked and fitted with ferrules. The braided shield is routed to a separate cable end.); connection 2: D-SUB socket strip (1x 15-position); cable length: 1.5 m

# VIP-2/SC/D15SUB/M - Interface module

2315120

<https://www.phoenixcontact.com/in/products/2315120>

## CABLE-D-15SUB/F/OE/0,25/S/2,0M - Cable

2926111

<https://www.phoenixcontact.com/in/products/2926111>



Assembled shielded round cable; connection 1: Single wires (15-position) (The wires are marked and fitted with ferrules. The braided shield is routed to a separate cable end.); connection 2: D-SUB socket strip (1x 15-position); cable length: 2 m

---

## CABLE-D-15SUB/F/OE/0,25/S/3,0M - Cable

2926124

<https://www.phoenixcontact.com/in/products/2926124>



Assembled shielded round cable; connection 1: Single wires (15-position) (The wires are marked and fitted with ferrules. The braided shield is routed to a separate cable end.); connection 2: D-SUB socket strip (1x 15-position); cable length: 3 m

# VIP-2/SC/D15SUB/M - Interface module

2315120

<https://www.phoenixcontact.com/in/products/2315120>

## CABLE-D-15SUB/F/OE/0,25/S/4,0M - Cable

2926137

<https://www.phoenixcontact.com/in/products/2926137>



Assembled shielded round cable; connection 1: Single wires (15-position) (The wires are marked and fitted with ferrules. The braided shield is routed to a separate cable end.); connection 2: D-SUB socket strip (1x 15-position); cable length: 4 m

---

## CABLE-D-15SUB/F/OE/0,25/S/6,0M - Cable

2926140

<https://www.phoenixcontact.com/in/products/2926140>



Assembled shielded round cable; connection 1: Single wires (15-position) (The wires are marked and fitted with ferrules. The braided shield is routed to a separate cable end.); connection 2: D-SUB socket strip (1x 15-position); cable length: 6 m



# VIP-2/SC/D15SUB/M - Interface module



2315120

<https://www.phoenixcontact.com/in/products/2315120>

## CABLE-D-15SUB-F-OE-0,25-S/... - Cable

2900905

<https://www.phoenixcontact.com/in/products/2900905>



Assembled shielded round cable; connection 1: Single wires (15-position) (The wires are marked and fitted with ferrules. The braided shield is routed to a separate cable end.); connection 2: D-SUB socket strip (1x 15-position); cable length: variable

---

Phoenix Contact 2023 © - all rights reserved

<https://www.phoenixcontact.com>

PHOENIX CONTACT (I) Pvt. Ltd.

A-58/2, Okhla Industrial Area, Phase - II, New Delhi-110 020

+91.1275.71420

[info@phoenixcontact.co.in](mailto:info@phoenixcontact.co.in)