

SUBCON-PLUS-PROFIB/90/PG/SC - D-SUB bus connector



2313708

<https://www.phoenixcontact.com/in/products/2313708>

Please be informed that the data shown in this PDF document is generated from our Online Catalog. Please find the complete data in the user documentation. Our General Terms of Use for Downloads are valid.



D-SUB connector, 9-pos., male connector, 90° cable entry, bus system: PROFIBUS DP up to 12 Mbps with PG D-SUB socket for connecting a programming device, termination resistor can be switched on via slide switch, pin assignment: 3, 5, 6, 8; screw connection terminal blocks

Product Description

The D-SUB series, SUBCON-PLUS-PROFIB/... was specially designed for use in PROFIBUS systems up to 12 Mbps. Under field conditions, it allows convenient and fast connection of the incoming and outgoing bus cable. The terminating resistor is already integrated in all versions. It can be connected externally by means of a slide switch. At the same time, the outgoing bus segment is switched off. This makes it easy to start up segment by segment while incorrect terminations are avoided.

Your advantages

- Suitable for all common Fast Connect PROFIBUS cables and RS-485 bus lines

Commercial Data

Item number	2313708
Packing unit	1 pc
Minimum order quantity	1 pc
Sales Key	DNC
Product Key	DNC531
Catalog Page	Page 447 (C-6-2019)
GTIN	4046356514156
Weight per Piece (including packing)	55.8 g
Weight per Piece (excluding packing)	40 g
Customs tariff number	85366990
Country of origin	DE

SUBCON-PLUS-PROFIB/90/PG/SC - D-SUB bus connector



2313708

<https://www.phoenixcontact.com/in/products/2313708>

Technical Data

Notes

Utilization restriction

CCCex note	Use in potentially explosive areas is not permitted in China.
------------	---

Product properties

Product type	Data plug
MTTF	6706 Years (SN 29500 standard, temperature 25°C, operating cycle 21%)
	1817 Years (SN 29500 standard, temperature 40°C, operating cycle 34.25%)
	155 Years (SN 29500 standard, temperature 40°C, operating cycle 100%)
Pin assignment	3, 5, 6, 8

Electrical properties

Test voltage	50 V
Maximum power dissipation for nominal condition	0.025 W
Nominal voltage U_N	5 V
Nominal current I_N	100 mA

Connection data

D-SUB connection

Connection method	D-SUB connector
-------------------	-----------------

PCB connection

Connection method	Screw connection
Stripping length	5 mm
Conductor cross section, rigid min.	0.14 mm ²
Conductor cross section, rigid max.	1.5 mm ²
Conductor cross section flexible min.	0.14 mm ²
Conductor cross section flexible max.	1 mm ²
Single-wire/terminal point, rigid AWG min.	26
Single-wire/terminal point, rigid AWG max.	16
Min. AWG conductor cross section, flexible	26
Max. AWG conductor cross section, flexible	18

Programming connection

Connection method	D-SUB socket
-------------------	--------------

Interfaces

Bus system	PROFIBUS DP
Signal	PROFIBUS

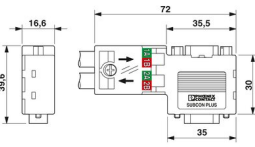
SUBCON-PLUS-PROFIB/90/PG/SC - D-SUB bus connector



2313708

<https://www.phoenixcontact.com/in/products/2313708>

Dimensions

Dimensional drawing	
Width	16.8 mm
Height	34.8 mm
Length	72 mm

Material specifications

Material Housing	ABS, metal-plated
------------------	-------------------

Cable/line

External cable diameter	7.6 mm ... 8.4 mm (Incoming bus line)
-------------------------	---------------------------------------

Mechanical properties

Mechanical data

Insertion/withdrawal cycles	> 200
-----------------------------	-------

Environmental and real-life conditions

Ambient conditions

Degree of protection	IP40
Ambient temperature (operation)	-20 °C ... 75 °C
Ambient temperature (storage/transport)	-25 °C ... 80 °C
Altitude	≤ 5000 m (For restrictions, see the manufacturer's declaration for altitude operation)
Permissible humidity (operation)	10 % ... 95 % (non-condensing)
Permissible humidity (storage/transport)	5 % ... 95 % (non-condensing)

Approvals

EAC

Identification	EAC
----------------	-----

ATEX

Identification	<input type="checkbox"/> II 3 G Ex nA IIC T4 Gc X
Note	Please follow the special installation instructions in the documentation!

Corrosive gas test

Identification	ISA-S71.04-1985 G3 Harsh Group A
----------------	----------------------------------

Standards and regulations

SUBCON-PLUS-PROFIB/90/PG/SC - D-SUB bus connector



2313708

<https://www.phoenixcontact.com/in/products/2313708>

Free from substances that could impair the application of coating

in accordance with VW-AUDI-Seat central standard P-VW 3.10.7
57 65 0

SUBCON-PLUS-PROFIB/90/PG/SC - D-SUB bus connector

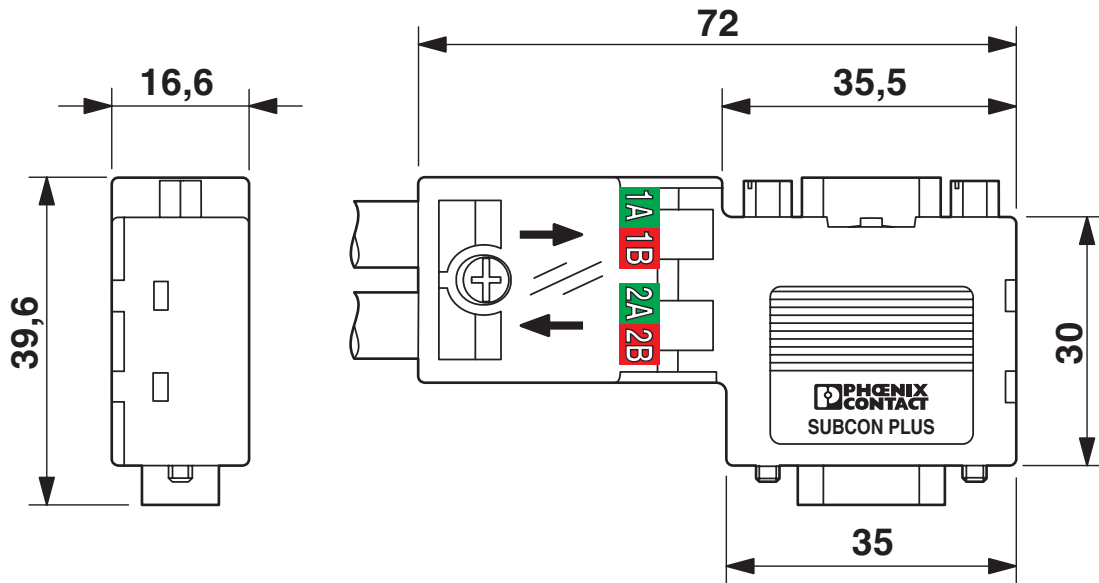


2313708

<https://www.phoenixcontact.com/in/products/2313708>

Drawings

Dimensional drawing



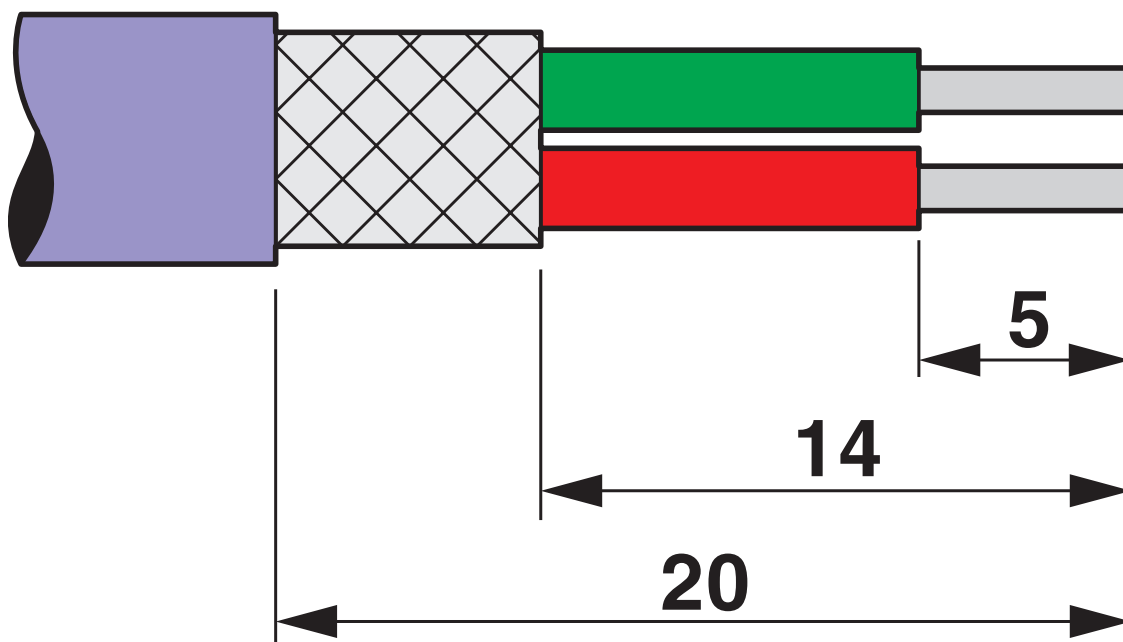
Dimensional drawing

SUBCON-PLUS-PROFIB/90/PB/SC - D-SUB bus connector

2313708

<https://www.phoenixcontact.com/in/products/2313708>

Schematic diagram



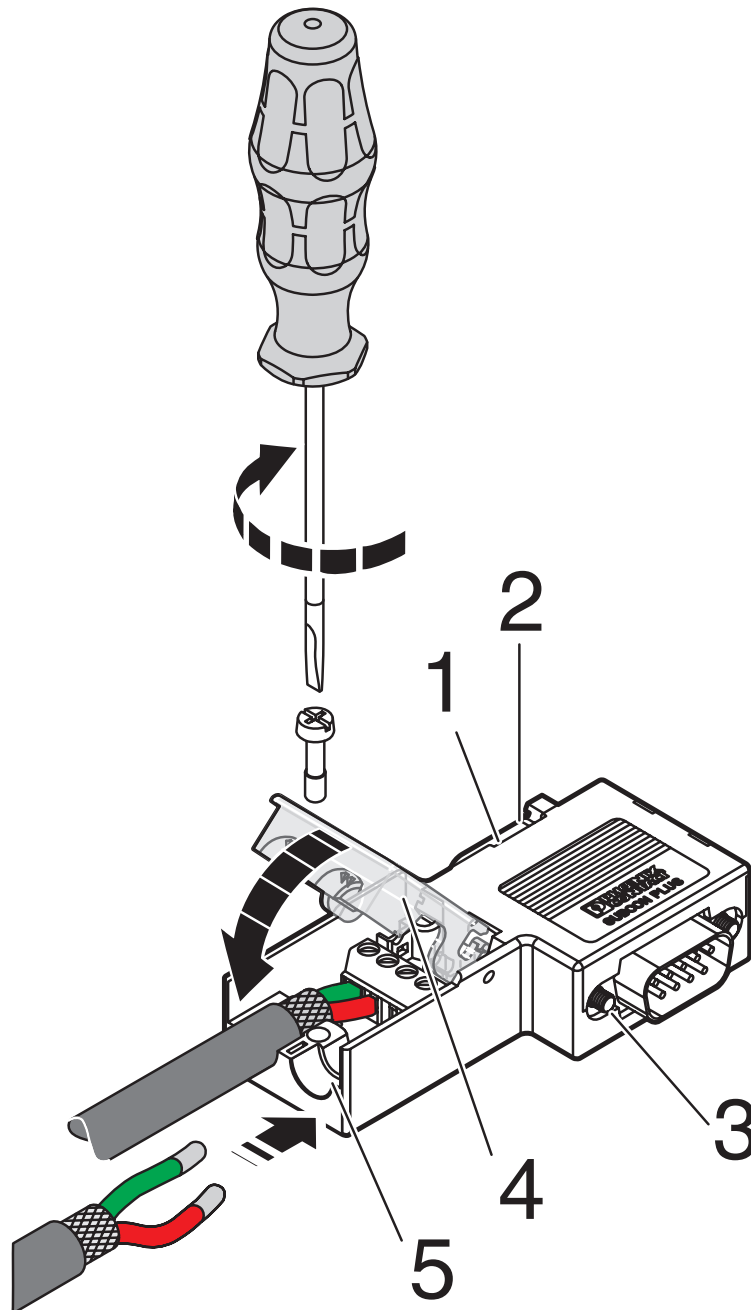
Stripping specifications

SUBCON-PLUS-PROFIB/90/PB/SC - D-SUB bus connector

2313708

<https://www.phoenixcontact.com/in/products/2313708>

Schematic diagram



Connecting cables

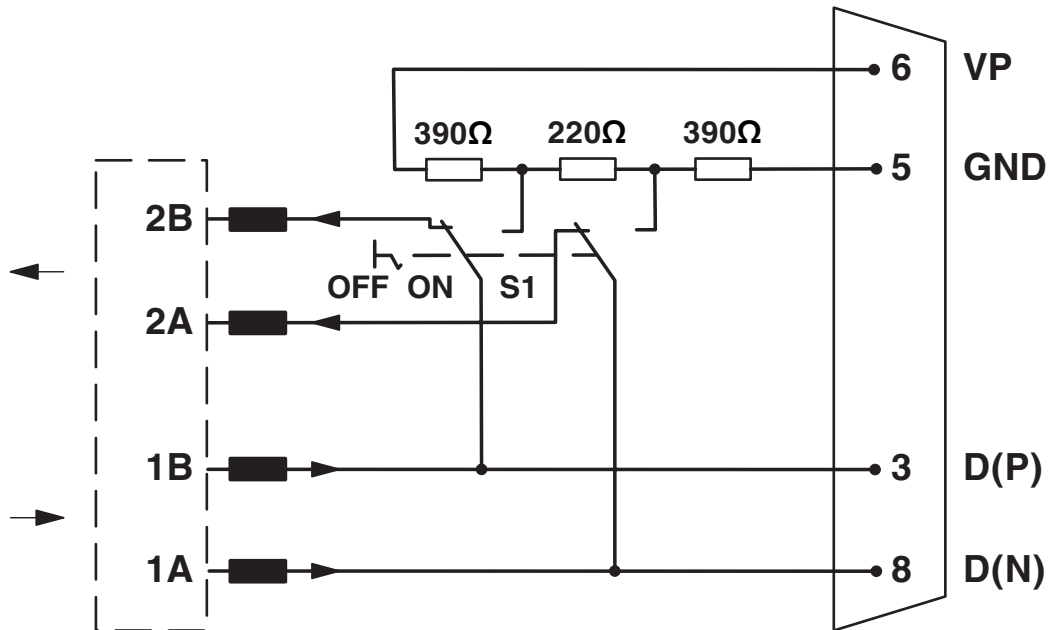
SUBCON-PLUS-PROFIB/90/PG/SC - D-SUB bus connector



2313708

<https://www.phoenixcontact.com/in/products/2313708>

Circuit diagram



SUBCON-PLUS-PROFIB/90/PG/SC - D-SUB bus connector



2313708

<https://www.phoenixcontact.com/in/products/2313708>

Approvals



cUL Recognized
Approval ID: FILE E 238705



UL Recognized
Approval ID: FILE E 238705



CSA
Approval ID: 2437602



ATEX
Approval ID: PxCIF15ATEX2744348X

SUBCON-PLUS-PROFIB/90/PG/SC - D-SUB bus connector



2313708

<https://www.phoenixcontact.com/in/products/2313708>

Classifications

ECLASS

ECLASS-11.0	27440302
ECLASS-13.0	27440302
ECLASS-12.0	27440302

ETIM

ETIM 8.0	EC001132
----------	----------

UNSPSC

UNSPSC 21.0	39121400
-------------	----------

SUBCON-PLUS-PROFIB/90/PG/SC - D-SUB bus connector



2313708

<https://www.phoenixcontact.com/in/products/2313708>

Environmental Product Compliance

REACH SVHC	Lead 7439-92-1
China RoHS	Environmentally Friendly Use Period = 50 years
	For information on hazardous substances, refer to the manufacturer's declaration available under "Downloads"

SUBCON-PLUS-PROFIB/90/PG/SC - D-SUB bus connector



2313708

<https://www.phoenixcontact.com/in/products/2313708>

Accessories

QUICK WIREFOX 6 - Stripping pliers

1204384

<https://www.phoenixcontact.com/in/products/1204384>



Stripping tool for cables with PVC insulation, stripping range: 0.08 to 6 mm², wire cutting up to 6 mm² flexible or 4 mm² rigid

PSM-STRIP-FC/PROFIB - Stripping tool

2744623

<https://www.phoenixcontact.com/in/products/2744623>

Quick stripping tool for PROFIBUS cable, type Fast Connect



SUBCON-PLUS-PROFIB/90/PG/SC - D-SUB bus connector



2313708

<https://www.phoenixcontact.com/in/products/2313708>

PSM-CABLE-PROFIB/FC - Bus system cable

2744652

<https://www.phoenixcontact.com/in/products/2744652>



By the meter, Bus system cable, PROFIBUS (12 Mbps), shielded, PVC FR VI/PVC, violet, 2-wire (1X2XAWG22/1), color single wire: red, green, cable length: Free entry (1.0 ... 1000.0 m)

SZF 0-0,4X2,5 - Screwdriver

1204504

<https://www.phoenixcontact.com/in/products/1204504>



Actuation tool, for ST terminal blocks, also suitable for use as a bladed screwdriver, size: 0.4 x 2.5 x 75 mm, 2-component grip, with non-slip grip

SUBCON-PLUS-PROFIB/90/PG/SC - D-SUB bus connector



2313708

<https://www.phoenixcontact.com/in/products/2313708>

SZK PH1 VDE - Screwdriver

1205150

<https://www.phoenixcontact.com/in/products/1205150>

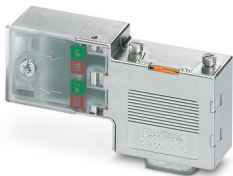


Screwdriver, PH crosshead, VDE insulated, size: PH 1 x 80 mm, 2-component grip, with non-slip grip

SUBCON-PLUS-PROFIB/90/SC - D-SUB bus connector

2313698

<https://www.phoenixcontact.com/in/products/2313698>



D-SUB connector, 9-pos., male connector, 90° cable entry, bus system: PROFIBUS DP up to 12 Mbps, termination resistor can be switched on via slide switch, pin assignment: 3, 5, 6, 8; screw connection terminal blocks

SUBCON-PLUS-PROFIB/90/PG/SC - D-SUB bus connector



2313708

<https://www.phoenixcontact.com/in/products/2313708>

SUBCON-PLUS-PROFIB/PG/SC2 - D-SUB bus connector

2708245

<https://www.phoenixcontact.com/in/products/2708245>



D-SUB connector, 9-pos., male connector, 35° cable entry, bus system: PROFIBUS DP up to 12 Mbps with PG D-SUB socket for connecting a programming device, termination resistor can be switched on via slide switch, pin assignment: 3, 5, 6, 8; screw connection terminal blocks

SUBCON-PLUS-PROFIB/AX/SC - D-SUB bus connector

2744380

<https://www.phoenixcontact.com/in/products/2744380>



D-SUB connector, 9-pos., male connector, axial version with two cable entries, bus system: PROFIBUS DP up to 12 Mbps, termination resistor can be switched on via slide switch, pin assignment: 3, 5, 6, 8; screw connection terminal blocks

SUBCON-PLUS-PROFIB/90/PG/SC - D-SUB bus connector



2313708

<https://www.phoenixcontact.com/in/products/2313708>

SUBCON-PLUS-PROFIB/90/PG/IDC - D-SUB bus connector

2313685

<https://www.phoenixcontact.com/in/products/2313685>



D-SUB connector, 9-pos., male connector, 90° cable entry, bus system: PROFIBUS DP up to 12 Mbps with PG D-SUB socket for connecting a programming device, termination resistor can be switched on via slide switch, pin assignment: 3, 5, 6, 8; IDC terminal block connection

PSI-TERMINATOR-PB-TBUS - Termination resistor

2702636

<https://www.phoenixcontact.com/in/products/2702636>



Active termination resistor for PROFIBUS and RS-485 bus systems, redundant power supply, routing of the supply voltage via DIN rail connector, electrical isolation, switchable termination, integrated programming interface

Phoenix Contact 2023 © - all rights reserved
<https://www.phoenixcontact.com>

PHOENIX CONTACT (I) Pvt. Ltd.
A-58/2, Okhla Industrial Area, Phase - II, New Delhi-110 020

+91.1275.71420
info@phoenixcontact.co.in