

# PLC-V8L/FLK14/OUT - System connection



2299660

<https://www.phoenixcontact.com/in/products/2299660>

Please be informed that the data shown in this PDF document is generated from our Online Catalog. Please find the complete data in the user documentation. Our General Terms of Use for Downloads are valid.



V8 adapter for 8 x PLC-INTERFACE (14 mm), controller: PLC system cabling of output cards, connection 1: Screw connection 1x, connection 2: IDC/FLK pin strip 1x 14-position, connection 3: Plug-in connection (Can be snapped onto 8x PLC-INTERFACE terminals), number of channels: 8, control logic: plusschaltend

## Commercial Data

Item number	2299660
Packing unit	1 pc
Minimum order quantity	1 pc
Sales Key	CK2
Product Key	CK21C1
Catalog Page	Page 427 (C-5-2019)
GTIN	4017918893163
Weight per Piece (including packing)	124.2 g
Weight per Piece (excluding packing)	122.8 g
Customs tariff number	85369010
Country of origin	DE

# PLC-V8L/FLK14/OUT - System connection



2299660

<https://www.phoenixcontact.com/in/products/2299660>

## Technical Data

### Product properties

Product type	Interface module
Product family	PLC-INTERFACE
Number of positions	14
No. of channels	8

### Insulation characteristics

Overvoltage category	II
Pollution degree	2

### Electrical properties

No. of channels	8
Max. permissible operating voltage	30 V DC
Nominal voltage $U_N$	24 V DC
Max. current carrying capacity per branch	1 A (per signal path)
Max. total current of voltage supply	3 A
Rated insulation voltage	50 V
Rated surge voltage	0.5 kV (Functional insulation)

### Supported controller SIEMENS S7-1500

Suitable I/O card	6ES7522-1BH00-0AB0
	6ES7522-1BH01-0AB0
	6ES7522-1BL00-0AB0
	6ES7522-1BL01-0AB0
	6ES7522-1BP00-0AA0

### Supported controller SIEMENS S7-400

Suitable I/O card	6ES7422-1BL00-0AA0
	6ES7422-1BL00-0AA0

### Supported controller ALLEN-BRADLEY ControlLogix

Suitable I/O card	1756-OB32
	1756-OB16E

### Supported controller ALLEN-BRADLEY PLC 5

Suitable I/O card	1771 OBN
-------------------	----------

### Supported controller ALLEN-BRADLEY SLC 500

Suitable I/O card	1746 OB 32
-------------------	------------

### Supported controller HONEYWELL Experion PKS C200

Suitable I/O card	TC-ODD 321
-------------------	------------

### Supported controller MITSUBISHI MELSEC Q

Suitable I/O card	QY81P
-------------------	-------

# PLC-V8L/FLK14/OUT - System connection



2299660

<https://www.phoenixcontact.com/in/products/2299660>

	QY82P
--	-------

## Supported controller SIEMENS S7-300 / ET 200 M

Suitable I/O card	CPU 313C-2DP
	CPU 314C-2DP
	CPU 314C-2PtP
	6ES7322-1BH01-0AA0
	6ES7322-1BL00-0AA0
	6ES7323-1BH01-0AA0
	6ES7323-1BL00-0AA0
	CPU 313C
	CPU 313C-2PtP

## Supported controller ABB S800 I/O

Suitable I/O card	DO810
	DO840

## Supported controller EMERSON DeltaV

Suitable I/O card	VE4002S1T1B3
	VE4002S1T2B3
	VE4002S1T2B3 Series 2
	VE4002S1T2B6

## Supported controller GE-FANUC RX3i

Suitable I/O card	IC694MDL754
-------------------	-------------

## Supported controller MITSUBISHI MELSEC L

Suitable I/O card	LY41PT1P
	LY42PT1P

## Connection data

### Supply

Connection method	Screw connection
Stripping length	8 mm
Screw thread	M3
Number of connections	1
Conductor cross section rigid	0.2 mm <sup>2</sup> ... 4 mm <sup>2</sup>
Conductor cross section flexible	0.2 mm <sup>2</sup> ... 2.5 mm <sup>2</sup>
Conductor cross section AWG	24 ... 12

### Controller level

Connection method	IDC/FLK pin strip
Number of connections	1
Number of positions	14
Pitch	2.54 mm

### Field level

# PLC-V8L/FLK14/OUT - System connection



2299660

<https://www.phoenixcontact.com/in/products/2299660>

Connection method	Plug-in connection
Note	Can be snapped onto 8x PLC-INTERFACE terminals

## Signaling

Status display	Green LED
Status display present	Yes

## Dimensions

Dimensional drawing	
Width	112.5 mm
Height	39 mm
Depth	56 mm

## Material specifications

Flammability rating according to UL 94	V0
Housing insulation material	Polyamide 6.6 green

## Environmental and real-life conditions

### Ambient conditions

Degree of protection	IP20
Ambient temperature (operation)	-40 °C ... 70 °C
Ambient temperature (storage/transport)	-40 °C ... 70 °C

## Approvals

### UL, USA/Canada

Identification	Class I, Div. 2, Groups A, B, C, D T4
----------------	---------------------------------------

### UL, Canada

Identification	Class I, Zone 2, Ex nA IIC Gc T4 X
----------------	------------------------------------

### UL, USA

Identification	Class I, Zone 2, AEx nA IIC T4
----------------	--------------------------------

### Shipbuilding approval

Certificate	TAE0000196
-------------	------------

### DNV GL data

Temperature	D
-------------	---

# PLC-V8L/FLK14/OUT - System connection



2299660

<https://www.phoenixcontact.com/in/products/2299660>

Humidity	A
Vibration	C
Enclosure	Required protection according to the Rules shall be provided upon installation on board

## Standards and regulations

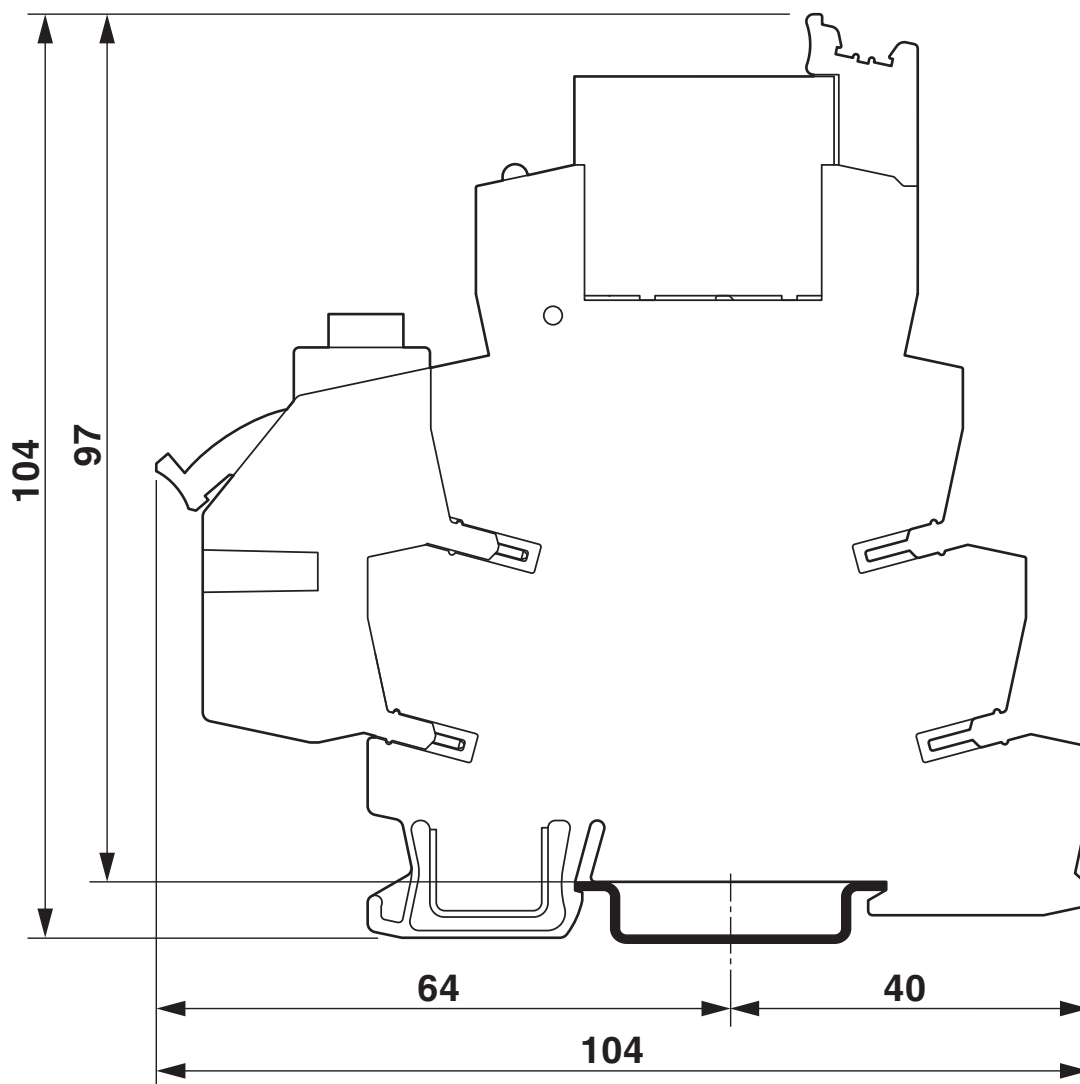
Standards/regulations	IEC 60664
	DIN EN 50178

## Mounting

Mounting type	Plug-on assembly
Assembly instructions	in rows with zero spacing
Mounting position	any

## Drawings

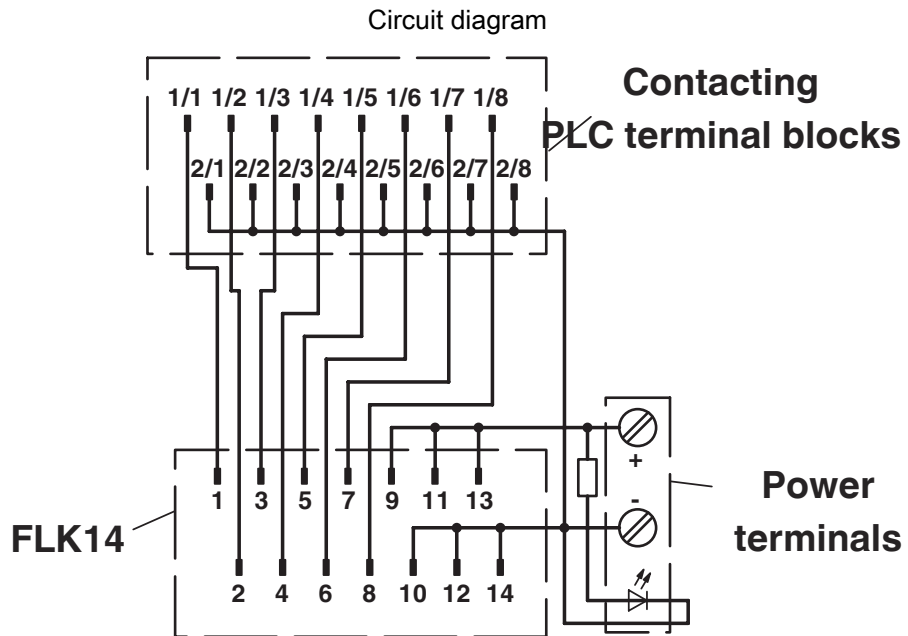
Dimensional drawing



# PLC-V8L/FLK14/OUT - System connection

2299660

<https://www.phoenixcontact.com/in/products/2299660>



# PLC-V8L/FLK14/OUT - System connection




2299660

<https://www.phoenixcontact.com/in/products/2299660>


## Approvals

 <b>cUL Recognized</b> Approval ID: FILE E 238705				
	Nominal Voltage $U_N$	Nominal Current $I_N$	Cross Section AWG	Cross Section $\text{mm}^2$
	24 V	1 A	-	-


 <b>UL Recognized</b> Approval ID: FILE E 238705				
	Nominal Voltage $U_N$	Nominal Current $I_N$	Cross Section AWG	Cross Section $\text{mm}^2$
	24 V	1 A	-	-


 <b>DNV GL</b> Approval ID: TAE0000196
--

 <b>PRS</b> Approval ID: TE/2109/880590/16
--

 <b>UL Listed</b> Approval ID: FILE E 172140
--

 <b>cUL Listed</b> Approval ID: FILE E 172140
---

 <b>GL</b> Approval ID: 46016-03 HH
---

 <b>cUL Listed</b> Approval ID: FILE E 199827
---

 <b>UL Listed</b> Approval ID: FILE E 199827
--



# PLC-V8L/FLK14/OUT - System connection



2299660

<https://www.phoenixcontact.com/in/products/2299660>

## Classifications

### ECLASS

ECLASS-11.0	27141152
ECLASS-13.0	27141152
ECLASS-12.0	27141152

### ETIM

ETIM 8.0	EC002780
----------	----------

### UNSPSC

UNSPSC 21.0	39121400
-------------	----------

# PLC-V8L/FLK14/OUT - System connection



2299660

<https://www.phoenixcontact.com/in/products/2299660>

## Environmental Product Compliance

REACH SVHC	Lead 7439-92-1
	Hexahydromethylphthalic anhydride
China RoHS	Environmentally Friendly Use Period = 50 years
	For information on hazardous substances, refer to the manufacturer's declaration available under "Downloads"

# PLC-V8L/FLK14/OUT - System connection

2299660

<https://www.phoenixcontact.com/in/products/2299660>

## Mandatory Accessories

### PLC-RPT- 24DC/21HC - Relay Module

2900291

<https://www.phoenixcontact.com/in/products/2900291>



PLC-INTERFACE for high continuous currents, consisting of PLC-BPT.../21 HC basic terminal block with Push-in connection and plug-in miniature relay, for mounting on DIN rail NS 35/7,5, limiting continuous current up to 10 A, 1 changeover contact, input voltage 24 V DC

---

### PLC-RSC- 24DC/21HC - Relay Module

2967620

<https://www.phoenixcontact.com/in/products/2967620>



PLC-INTERFACE for high continuous currents, consisting of PLC-BSC.../21 HC basic terminal block with screw connection and plug-in miniature relay, for mounting on NS 35/7,5 DIN rail, limiting continuous current up to 10 A, 1 changeover contact, input voltage 24 V DC

# PLC-V8L/FLK14/OUT - System connection

2299660

<https://www.phoenixcontact.com/in/products/2299660>

## PLC-RPT- 24DC/21-21 - Relay Module

2900330

<https://www.phoenixcontact.com/in/products/2900330>



PLC-INTERFACE, consisting of PLC-BPT.../21-21 basic terminal block with Push-in connection and plug-in miniature relay with power contact, for mounting on DIN rail NS 35/7,5, 2 changeover contacts, input voltage 24 V DC

---

## PLC-RSC- 24DC/21-21 - Relay Module

2967060

<https://www.phoenixcontact.com/in/products/2967060>



PLC-INTERFACE, consisting of basic terminal block PLC-BSC.../21 with screw connection and plug-in miniature relay with power contact, for assembly on DIN rail NS 35/7,5, 2 changeover contacts, input voltage 24 V DC

# PLC-V8L/FLK14/OUT - System connection

2299660

<https://www.phoenixcontact.com/in/products/2299660>

## PLC-RPT- 24DC/21-21AU - Relay Module

2900338

<https://www.phoenixcontact.com/in/products/2900338>



PLC-INTERFACE, consisting of PLC-BPT.../21-21 basic terminal block with Push-in connection and plug-in miniature relay with multi-layer gold contact, for mounting on DIN rail NS 35/7,5, 2 changeover contacts, input voltage 24 V DC

---

## PLC-RSC- 24DC/21-21AU - Relay Module

2967125

<https://www.phoenixcontact.com/in/products/2967125>



PLC-INTERFACE, consisting of PLC-BSC.../21 basic terminal block with screw connection and plug-in miniature relay with multi-layer gold contact, for mounting on DIN rail NS 35/7,5, 2 changeover contacts, input voltage 24 V DC

# PLC-V8L/FLK14/OUT - System connection

2299660

<https://www.phoenixcontact.com/in/products/2299660>

## PLC-RPT- 24DC/ 1IC/ACT - Relay Module

2900298

<https://www.phoenixcontact.com/in/products/2900298>



PLC-INTERFACE for high switch-on currents, consisting of PLC-BPT.../1 IC/ACT basic terminal block with push-in connection and plug-in miniature relay, for mounting on DIN rail NS 35/7,5, max. switch-on current up to 130 A, 1 N/O contact, input voltage 24 V DC

---

## PLC-RSC- 24DC/ 1IC/ACT - Relay Module

2967604

<https://www.phoenixcontact.com/in/products/2967604>



PLC-INTERFACE for high switch-on currents, consisting of PLC-BSC.../1 IC/ACT basic terminal block with screw connection and plug-in miniature relay, for mounting on DIN rail NS 35/7,5, max. switch-on current up to 130 A, 1 N/O contact, input voltage 24 V DC

# PLC-V8L/FLK14/OUT - System connection

2299660

<https://www.phoenixcontact.com/in/products/2299660>

## PLC-RSC- 24DC/ 1- 1/ACT - Relay Module

2967109

<https://www.phoenixcontact.com/in/products/2967109>



PLC-INTERFACE for output functions, consisting of PLC-BSC.../ACT basic terminal block with screw connection and plug-in miniature relay with power contact, for mounting on DIN rail NS 35/7,5, 2 N/O contacts (1-1), input voltage 24 V DC

---

## PLC-OSC- 24DC/ 24DC/ 5/ACT - Solid-state relay module

2982786

<https://www.phoenixcontact.com/in/products/2982786>



PLC-INTERFACE for output functions, consisting of PLC-BSC.../ACT basic terminal block with screw connection and plug-in miniature solid-state relay, for mounting on DIN rail NS 35/7,5, 1 N/O contact, input: 24 V DC, output: 3 ... 33 V DC/5 A

# PLC-V8L/FLK14/OUT - System connection

2299660

<https://www.phoenixcontact.com/in/products/2299660>

## PLC-OSC- 24DC/230AC/ 2/ACT - Solid-state relay module

2982760

<https://www.phoenixcontact.com/in/products/2982760>



PLC-INTERFACE for output functions, consisting of PLC-BSC.../ACT basic terminal block with screw connection and plug-in miniature solid-state relay, for mounting on DIN rail NS 35/7,5, 1 N/O contact, input: 24 V DC, output: 24 - 253 V AC/2 A

---

## PLC-RSC- 24DC/21-21/MS - Relay Module

2910502

<https://www.phoenixcontact.com/in/products/2910502>



PLC-INTERFACE, consisting of a relay base and pluggable power contact relay with manual operation, integrated status LED and freewheeling diode, Screw connection, 2 changeover contacts, Freewheeling diode, Input voltage: 24 V DC



# PLC-V8L/FLK14/OUT - System connection

2299660

<https://www.phoenixcontact.com/in/products/2299660>

## PLC-RSC- 24DC/21-21AU/MS - Relay Module

2910507

<https://www.phoenixcontact.com/in/products/2910507>



PLC-INTERFACE, consisting of a relay base and pluggable multilayer gold contact relay with manual operation, integrated status LED and freewheeling diode, Screw connection, 2 changeover contacts, Freewheeling diode, Input voltage: 24 V DC

---

## PLC-RSC- 24DC/21HC/MS - Relay Module

2910514

<https://www.phoenixcontact.com/in/products/2910514>



PLC-INTERFACE, consisting of a relay base and pluggable power contact relay with manual operation, integrated status LED and freewheeling diode, Screw connection, 1 changeover contact, Polarity protection diode, Freewheeling diode, Input voltage: 24 V DC

# PLC-V8L/FLK14/OUT - System connection

2299660

<https://www.phoenixcontact.com/in/products/2299660>

## PLC-RPT- 24DC/21-21/MS - Relay Module

2910519

<https://www.phoenixcontact.com/in/products/2910519>



PLC-INTERFACE, consisting of a relay base and pluggable power contact relay with manual operation, integrated status LED and freewheeling diode, Push-in connection, 2 changeover contacts, Freewheeling diode, Input voltage: 24 V DC

---

## PLC-RPT- 24DC/21-21AU/MS - Relay Module

2910524

<https://www.phoenixcontact.com/in/products/2910524>



PLC-INTERFACE, consisting of a relay base and pluggable multilayer gold contact relay with manual operation, integrated status LED and freewheeling diode, Push-in connection, 2 changeover contacts, Freewheeling diode, Input voltage: 24 V DC

# PLC-V8L/FLK14/OUT - System connection



2299660

<https://www.phoenixcontact.com/in/products/2299660>

## PLC-RPT- 24DC/21HC/MS - Relay Module

2910530

<https://www.phoenixcontact.com/in/products/2910530>



PLC-INTERFACE, consisting of a relay base and pluggable power contact relay with manual operation, integrated status LED and freewheeling diode, Push-in connection, 1 changeover contact, Polarity protection diode, Freewheeling diode, Input voltage: 24 V DC

---

## Accessories

### FLK 14/EZ-DR/ 30/KONFEK - Cable

2295729

<https://www.phoenixcontact.com/in/products/2295729>



Round cable set; connection 1: IDC/FLK socket strip (1x 14-position); connection 2: IDC/FLK socket strip (1x 14-position); cable length: 0.3 m

# PLC-V8L/FLK14/OUT - System connection



2299660

<https://www.phoenixcontact.com/in/products/2299660>

## FLK 14/EZ-DR/ 50/KONFEK - Cable

2288901

<https://www.phoenixcontact.com/in/products/2288901>



Round cable set; connection 1: IDC/FLK socket strip (1x 14-position); connection 2: IDC/FLK socket strip (1x 14-position); cable length: 0.5 m

---

## FLK 14/EZ-DR/ 100/KONFEK - Cable

2288914

<https://www.phoenixcontact.com/in/products/2288914>



Round cable set; connection 1: IDC/FLK socket strip (1x 14-position); connection 2: IDC/FLK socket strip (1x 14-position); cable length: 1 m

# PLC-V8L/FLK14/OUT - System connection

2299660

<https://www.phoenixcontact.com/in/products/2299660>

## FLK 14/EZ-DR/ 150/KONFEK - Cable

2288927

<https://www.phoenixcontact.com/in/products/2288927>



Round cable set; connection 1: IDC/FLK socket strip (1x 14-position); connection 2: IDC/FLK socket strip (1x 14-position); cable length: 1.5 m

---

## FLK 14/EZ-DR/ 200/KONFEK - Cable

2288930

<https://www.phoenixcontact.com/in/products/2288930>



Round cable set; connection 1: IDC/FLK socket strip (1x 14-position); connection 2: IDC/FLK socket strip (1x 14-position); cable length: 2 m

# PLC-V8L/FLK14/OUT - System connection

2299660

<https://www.phoenixcontact.com/in/products/2299660>

## FLK 14/EZ-DR/ 250/KONFEK - Cable

2288943

<https://www.phoenixcontact.com/in/products/2288943>



Round cable set; connection 1: IDC/FLK socket strip (1x 14-position); connection 2: IDC/FLK socket strip (1x 14-position); cable length: 2.5 m

---

## FLK 14/EZ-DR/ 300/KONFEK - Cable

2288956

<https://www.phoenixcontact.com/in/products/2288956>



Round cable set; connection 1: IDC/FLK socket strip (1x 14-position); connection 2: IDC/FLK socket strip (1x 14-position); cable length: 3 m

# PLC-V8L/FLK14/OUT - System connection

2299660

<https://www.phoenixcontact.com/in/products/2299660>

## FLK 14/EZ-DR/ 350/KONFEK - Cable

2288969

<https://www.phoenixcontact.com/in/products/2288969>



Round cable set; connection 1: IDC/FLK socket strip (1x 14-position); connection 2: IDC/FLK socket strip (1x 14-position); cable length: 3.5 m

---

## FLK 14/EZ-DR/ 400/KONFEK - Cable

2288972

<https://www.phoenixcontact.com/in/products/2288972>



Round cable set; connection 1: IDC/FLK socket strip (1x 14-position); connection 2: IDC/FLK socket strip (1x 14-position); cable length: 4 m

# PLC-V8L/FLK14/OUT - System connection

2299660

<https://www.phoenixcontact.com/in/products/2299660>

## FLK 14/EZ-DR/ 500/KONFEK - Cable

2290834

<https://www.phoenixcontact.com/in/products/2290834>



Round cable set; connection 1: IDC/FLK socket strip (1x 14-position); connection 2: IDC/FLK socket strip (1x 14-position); cable length: 5 m

---

## FLK 14/EZ-DR/ 600/KONFEK - Cable

2290863

<https://www.phoenixcontact.com/in/products/2290863>



Round cable set; connection 1: IDC/FLK socket strip (1x 14-position); connection 2: IDC/FLK socket strip (1x 14-position); cable length: 6 m



# PLC-V8L/FLK14/OUT - System connection

2299660

<https://www.phoenixcontact.com/in/products/2299660>

## FLK 14/EZ-DR/ 800/KONFEK - Cable

2299563

<https://www.phoenixcontact.com/in/products/2299563>



Round cable set; connection 1: IDC/FLK socket strip (1x 14-position); connection 2: IDC/FLK socket strip (1x 14-position); cable length: 8 m

---

## FLK 14/EZ-DR/1000/KONFEK - Cable

2299576

<https://www.phoenixcontact.com/in/products/2299576>



Round cable set; connection 1: IDC/FLK socket strip (1x 14-position); connection 2: IDC/FLK socket strip (1x 14-position); cable length: 10 m

# PLC-V8L/FLK14/OUT - System connection

2299660

<https://www.phoenixcontact.com/in/products/2299660>

## FLK 14/EZ-DR/HF/ 50/KONFEK - Cable

2305952

<https://www.phoenixcontact.com/in/products/2305952>



Assembled, halogen-free round cable; connection 1: IDC/FLK socket strip (1x 14-position); connection 2: IDC/FLK socket strip (1x 14-position); cable length: 0.5 m

---

## FLK 14/EZ-DR/HF/ 100/KONFEK - Cable

2305965

<https://www.phoenixcontact.com/in/products/2305965>



Assembled, halogen-free round cable; connection 1: IDC/FLK socket strip (1x 14-position); connection 2: IDC/FLK socket strip (1x 14-position); cable length: 1 m

# PLC-V8L/FLK14/OUT - System connection

2299660

<https://www.phoenixcontact.com/in/products/2299660>

## FLK 14/EZ-DR/HF/ 150/KONFEK - Cable

2305978

<https://www.phoenixcontact.com/in/products/2305978>



Assembled, halogen-free round cable; connection 1: IDC/FLK socket strip (1x 14-position); connection 2: IDC/FLK socket strip (1x 14-position); cable length: 1.5 m

---

## FLK 14/EZ-DR/HF/ 200/KONFEK - Cable

2305981

<https://www.phoenixcontact.com/in/products/2305981>



Assembled, halogen-free round cable; connection 1: IDC/FLK socket strip (1x 14-position); connection 2: IDC/FLK socket strip (1x 14-position); cable length: 2 m

# PLC-V8L/FLK14/OUT - System connection

2299660

<https://www.phoenixcontact.com/in/products/2299660>

## FLK 14/EZ-DR/HF/ 250/KONFEK - Cable

2305994

<https://www.phoenixcontact.com/in/products/2305994>



Assembled, halogen-free round cable; connection 1: IDC/FLK socket strip (1x 14-position); connection 2: IDC/FLK socket strip (1x 14-position); cable length: 2.5 m

---

## FLK 14/EZ-DR/HF/ 300/KONFEK - Cable

2304759

<https://www.phoenixcontact.com/in/products/2304759>



Assembled, halogen-free round cable; connection 1: IDC/FLK socket strip (1x 14-position); connection 2: IDC/FLK socket strip (1x 14-position); cable length: 3 m

# PLC-V8L/FLK14/OUT - System connection

2299660

<https://www.phoenixcontact.com/in/products/2299660>

## FLK 14/EZ-DR/HF/ 400/KONFEK - Cable

2304762

<https://www.phoenixcontact.com/in/products/2304762>



Assembled, halogen-free round cable; connection 1: IDC/FLK socket strip (1x 14-position); connection 2: IDC/FLK socket strip (1x 14-position); cable length: 4 m

---

## FLK 14/EZ-DR/HF/ 500/KONFEK - Cable

2304717

<https://www.phoenixcontact.com/in/products/2304717>



Assembled, halogen-free round cable; connection 1: IDC/FLK socket strip (1x 14-position); connection 2: IDC/FLK socket strip (1x 14-position); cable length: 5 m

# PLC-V8L/FLK14/OUT - System connection

2299660

<https://www.phoenixcontact.com/in/products/2299660>

## FLK 14/EZ-DR/HF/ 600/KONFEK - Cable

2306003

<https://www.phoenixcontact.com/in/products/2306003>



Assembled, halogen-free round cable; connection 1: IDC/FLK socket strip (1x 14-position); connection 2: IDC/FLK socket strip (1x 14-position); cable length: 6 m

---

## FLK 14-EZ-DR-HF/... - Cable

2314040

<https://www.phoenixcontact.com/in/products/2314040>



Assembled, halogen-free round cable; connection 1: IDC/FLK socket strip (1x 14-position); connection 2: IDC/FLK socket strip (1x 14-position); cable length: variable

# PLC-V8L/FLK14/OUT - System connection



2299660

<https://www.phoenixcontact.com/in/products/2299660>

## FLK 14/EZ-DR/ 50/KONFEK/S - Cable

2296977

<https://www.phoenixcontact.com/in/products/2296977>



Assembled shielded round cable; connection 1: IDC/FLK socket strip (1x 14-position); connection 2: IDC/FLK socket strip (1x 14-position) (The braided shield is routed to a separate cable end.); cable length: 0.5 m

---

## FLK 14/EZ-DR/ 100/KONFEK/S - Cable

2296980

<https://www.phoenixcontact.com/in/products/2296980>



Assembled shielded round cable; connection 1: IDC/FLK socket strip (1x 14-position); connection 2: IDC/FLK socket strip (1x 14-position) (The braided shield is routed to a separate cable end.); cable length: 1 m

# PLC-V8L/FLK14/OUT - System connection



2299660

<https://www.phoenixcontact.com/in/products/2299660>

## FLK 14/EZ-DR/ 120/KONFEK/S - Cable

2299071

<https://www.phoenixcontact.com/in/products/2299071>



Assembled shielded round cable; connection 1: IDC/FLK socket strip (1x 14-position); connection 2: IDC/FLK socket strip (1x 14-position) (The braided shield is routed to a separate cable end.); cable length: 1.2 m

---

## FLK 14/EZ-DR/ 150/KONFEK/S - Cable

2296993

<https://www.phoenixcontact.com/in/products/2296993>



Assembled shielded round cable; connection 1: IDC/FLK socket strip (1x 14-position); connection 2: IDC/FLK socket strip (1x 14-position) (The braided shield is routed to a separate cable end.); cable length: 1.5 m



# PLC-V8L/FLK14/OUT - System connection



2299660

<https://www.phoenixcontact.com/in/products/2299660>

## FLK 14/EZ-DR/ 180/KONFEK/S - Cable

2299084

<https://www.phoenixcontact.com/in/products/2299084>



Assembled shielded round cable; connection 1: IDC/FLK socket strip (1x 14-position); connection 2: IDC/FLK socket strip (1x 14-position) (The braided shield is routed to a separate cable end.); cable length: 1.8 m

---

## FLK 14/EZ-DR/ 200/KONFEK/S - Cable

2297002

<https://www.phoenixcontact.com/in/products/2297002>



Assembled shielded round cable; connection 1: IDC/FLK socket strip (1x 14-position); connection 2: IDC/FLK socket strip (1x 14-position) (The braided shield is routed to a separate cable end.); cable length: 2 m

# PLC-V8L/FLK14/OUT - System connection



2299660

<https://www.phoenixcontact.com/in/products/2299660>

## FLK 14/EZ-DR/ 300/KONFEK/S - Cable

2299013

<https://www.phoenixcontact.com/in/products/2299013>



Assembled shielded round cable; connection 1: IDC/FLK socket strip (1x 14-position); connection 2: IDC/FLK socket strip (1x 14-position) (The braided shield is routed to a separate cable end.); cable length: 3 m

---

## FLK 14/EZ-DR/ 400/KONFEK/S - Cable

2299026

<https://www.phoenixcontact.com/in/products/2299026>



Assembled shielded round cable; connection 1: IDC/FLK socket strip (1x 14-position); connection 2: IDC/FLK socket strip (1x 14-position) (The braided shield is routed to a separate cable end.); cable length: 4 m

# PLC-V8L/FLK14/OUT - System connection



2299660

<https://www.phoenixcontact.com/in/products/2299660>

## FLK 14/EZ-DR/ 600/KONFEK/S - Cable

2299039

<https://www.phoenixcontact.com/in/products/2299039>



Assembled shielded round cable; connection 1: IDC/FLK socket strip (1x 14-position); connection 2: IDC/FLK socket strip (1x 14-position) (The braided shield is routed to a separate cable end.); cable length: 6 m

---

## FLK 14/EZ-DR/ 800/KONFEK/S - Cable

2299042

<https://www.phoenixcontact.com/in/products/2299042>



Assembled shielded round cable; connection 1: IDC/FLK socket strip (1x 14-position); connection 2: IDC/FLK socket strip (1x 14-position) (The braided shield is routed to a separate cable end.); cable length: 8 m

# PLC-V8L/FLK14/OUT - System connection



2299660

<https://www.phoenixcontact.com/in/products/2299660>

## FLK 14/EZ-DR/1000/KONFEK/S - Cable

2299055

<https://www.phoenixcontact.com/in/products/2299055>



Assembled shielded round cable; connection 1: IDC/FLK socket strip (1x 14-position); connection 2: IDC/FLK socket strip (1x 14-position) (The braided shield is routed to a separate cable end.); cable length: 10 m

---

## FLK 50/4X14/EZ-DR/ 50/KONFEK - Cable

2296689

<https://www.phoenixcontact.com/in/products/2296689>



Round cable set; connection 1: IDC/FLK socket strip (1x 50-position); connection 2: IDC/FLK socket strip (4x 14-position); cable length: 0.5 m

# PLC-V8L/FLK14/OUT - System connection

2299660

<https://www.phoenixcontact.com/in/products/2299660>

## FLK 50/4X14/EZ-DR/ 100/KONFEK - Cable

2296692

<https://www.phoenixcontact.com/in/products/2296692>



Round cable set; connection 1: IDC/FLK socket strip (1x 50-position); connection 2: IDC/FLK socket strip (4x 14-position); cable length: 1 m

---

## FLK 50/4X14/EZ-DR/ 150/KONFEK - Cable

2296702

<https://www.phoenixcontact.com/in/products/2296702>



Round cable set; connection 1: IDC/FLK socket strip (1x 50-position); connection 2: IDC/FLK socket strip (4x 14-position); cable length: 1.5 m

# PLC-V8L/FLK14/OUT - System connection

2299660

<https://www.phoenixcontact.com/in/products/2299660>

## FLK 50/4X14/EZ-DR/ 200/KONFEK - Cable

2296715

<https://www.phoenixcontact.com/in/products/2296715>



Round cable set; connection 1: IDC/FLK socket strip (1x 50-position); connection 2: IDC/FLK socket strip (4x 14-position); cable length: 2 m

---

## FLK 50/4X14/EZ-DR/ 250/KONFEK - Cable

2305402

<https://www.phoenixcontact.com/in/products/2305402>



Round cable set; connection 1: IDC/FLK socket strip (1x 50-position); connection 2: IDC/FLK socket strip (4x 14-position); cable length: 2.5 m

# PLC-V8L/FLK14/OUT - System connection

2299660

<https://www.phoenixcontact.com/in/products/2299660>

## FLK 50/4X14/EZ-DR/ 300/KONFEK - Cable

2296728

<https://www.phoenixcontact.com/in/products/2296728>



Round cable set; connection 1: IDC/FLK socket strip (1x 50-position); connection 2: IDC/FLK socket strip (4x 14-position); cable length: 3 m

---

## FLK 50/4X14/EZ-DR/ 400/KONFEK - Cable

2296731

<https://www.phoenixcontact.com/in/products/2296731>



Round cable set; connection 1: IDC/FLK socket strip (1x 50-position); connection 2: IDC/FLK socket strip (4x 14-position); cable length: 4 m

# PLC-V8L/FLK14/OUT - System connection

2299660

<https://www.phoenixcontact.com/in/products/2299660>

## FLK 50/4X14/EZ-DR/ 600/KONFEK - Cable

2296744

<https://www.phoenixcontact.com/in/products/2296744>



Round cable set; connection 1: IDC/FLK socket strip (1x 50-position); connection 2: IDC/FLK socket strip (4x 14-position); cable length: 6 m

---

## FLK 50/4X14/EZ-DR/1000/KONFEK - Cable

2296773

<https://www.phoenixcontact.com/in/products/2296773>



Round cable set; connection 1: IDC/FLK socket strip (1x 50-position); connection 2: IDC/FLK socket strip (4x 14-position); cable length: 10 m



# PLC-V8L/FLK14/OUT - System connection



2299660

<https://www.phoenixcontact.com/in/products/2299660>

## FLK 50-4X14-EZ-DR ... - Cable

2302405

<https://www.phoenixcontact.com/in/products/2302405>



Round cable set; connection 1: IDC/FLK socket strip (1x 50-position); connection 2: IDC/FLK socket strip (4x 14-position); cable length: variable

---

## FLK 50-4X14-EZ-DR-S ... - Cable

2302447

<https://www.phoenixcontact.com/in/products/2302447>



Assembled shielded round cable; connection 1: IDC/FLK socket strip (1x 50-position); connection 2: IDC/FLK socket strip (4x 14-position) (The braided shield is routed to four separate cable ends.); cable length: variable

---

Phoenix Contact 2023 © - all rights reserved  
<https://www.phoenixcontact.com>

PHOENIX CONTACT (I) Pvt. Ltd.  
A-58/2, Okhla Industrial Area, Phase - II, New Delhi-110 020

+91.1275.71420  
[info@phoenixcontact.co.in](mailto:info@phoenixcontact.co.in)