

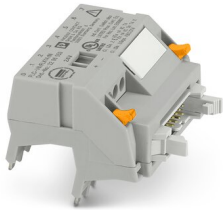
# PLC-V8/FLK14/IN - System connection



2296553

<https://www.phoenixcontact.com/in/products/2296553>

Please be informed that the data shown in this PDF document is generated from our Online Catalog. Please find the complete data in the user documentation. Our General Terms of Use for Downloads are valid.



V8 adapter for 8 x PLC-INTERFACE (6.2 mm), controller: PLC system cabling of input cards, connection 1: Screw connection 1x, connection 2: IDC/FLK pin strip 1x 14-position, connection 3: Plug-in connection (Can be snapped onto 8x PLC-INTERFACE terminals), number of channels: 8, control logic: plusschaltend

## Commercial Data

Item number	2296553
Packing unit	1 pc
Minimum order quantity	1 pc
Sales Key	CK2
Product Key	CK21C1
Catalog Page	Page 427 (C-5-2019)
GTIN	4017918189150
Weight per Piece (including packing)	105.3 g
Weight per Piece (excluding packing)	100 g
Customs tariff number	85366990
Country of origin	DE

## Technical Data

### Product properties

Product type	Interface module
Product family	PLC-INTERFACE
Number of positions	14
No. of channels	8

### Insulation characteristics

Overvoltage category	II
Pollution degree	2

### Electrical properties

No. of channels	8
Max. permissible operating voltage	30 V DC
Nominal voltage $U_N$	24 V DC
Max. current carrying capacity per branch	1 A (per signal path)
Max. total current of voltage supply	3 A
Rated insulation voltage	50 V
Rated surge voltage	0.5 kV (Functional insulation)

### Supported controller SIEMENS S7-1500

Suitable I/O card	6ES7521-1BH00-0AB0
	6ES7521-1BL00-0AB0
	6ES7521-1BP00-0AA0 (Sinking mode)
	6ES7523-1BP50-0AA0 (DI32 (Sinking mode))

### Supported controller ABB S800 I/O

Suitable I/O card	DI810
	DI818
	DI830
	DI840

### Supported controller ALLEN-BRADLEY ControlLogix

Suitable I/O card	1756-IB32
	1756-IB16

### Supported controller SIEMENS S7-400

Suitable I/O card	6ES7421-1BL01-0AA0
-------------------	--------------------

### Supported controller HONEYWELL Experion PKS C200

Suitable I/O card	TC-IDD 321
-------------------	------------

### Supported controller MITSUBISHI MELSEC Q

Suitable I/O card	QX81
	QX82

# PLC-V8/FLK14/IN - System connection



2296553

<https://www.phoenixcontact.com/in/products/2296553>

	QX82-S1
Supported controller MITSUBISHI MELSEC L	
Suitable I/O card	LX41C4
	LX42C4
Supported controller SIEMENS S7-300 / ET 200 M	
Suitable I/O card	CPU 313C-2DP
	CPU 314C-2DP
	CPU 314C-2PtP
	6ES7321-1BH02-0AA0
	6ES7321-1BL00-0AA0
	6ES7323-1BH01-0AA0
	6ES7323-1BL00-0AA0
	6ES7321-1BH10-0AA0
	CPU 313C
	CPU 313C-2PtP
Supported controller SCHNEIDER ELECTRIC Modicon TSX QUANTUM	
Suitable I/O card	DDI 353
	DDI 853
Supported controller EMERSON DeltaV	
Suitable I/O card	VE4001S2T2B3
Supported controller GE-FANUC RX3i	
Suitable I/O card	IC694MDL660
Supported controller YOKOGAWA CS3000 CentumVP	
Suitable I/O card	ADV151
	ADV161
Supported controller YOKOGAWA STARDOM	
Suitable I/O card	NFDV151
	NFDV161

## Connection data

### Supply

Connection in acc. with standard	IEC / EN
Connection method	Screw connection
Stripping length	8 mm
Screw thread	M3
Number of connections	1
Conductor cross section rigid	0.2 mm <sup>2</sup> ... 4 mm <sup>2</sup>
Conductor cross section flexible	0.2 mm <sup>2</sup> ... 2.5 mm <sup>2</sup>
Conductor cross section AWG	24 ... 12

# PLC-V8/FLK14/IN - System connection

2296553

<https://www.phoenixcontact.com/in/products/2296553>

## Controller level

Connection method	IDC/FLK pin strip
Number of connections	1
Number of positions	14
Pitch	2.54 mm

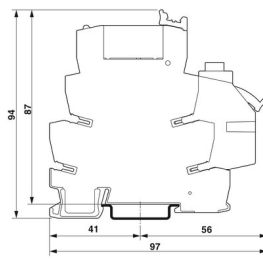
## Field level

Connection method	Plug-in connection
Note	Can be snapped onto 8x PLC-INTERFACE terminals

## Signaling

Status display	Green LED
Status display present	Yes

## Dimensions

Dimensional drawing	
Width	50 mm
Height	39 mm
Depth	56 mm

## Material specifications

Flammability rating according to UL 94	V0
Housing insulation material	Polyamide 6.6 green

## Environmental and real-life conditions

### Ambient conditions

Degree of protection	IP20
Ambient temperature (operation)	-40 °C ... 70 °C
Ambient temperature (storage/transport)	-40 °C ... 70 °C

## Approvals

### UL, USA/Canada

Identification	Class I, Div. 2, Groups A, B, C, D T4
----------------	---------------------------------------

### UL, Canada

Identification	Class I, Zone 2, Ex nA IIC Gc T4 X
----------------	------------------------------------

### UL, USA

# PLC-V8/FLK14/IN - System connection



2296553

<https://www.phoenixcontact.com/in/products/2296553>

Identification	Class I, Zone 2, AEx nA IIC T4
----------------	--------------------------------

## Shipbuilding approval

Certificate	TAE0000196
-------------	------------

## DNV GL data

Temperature	D
Humidity	A
Vibration	C
Enclosure	Required protection according to the Rules shall be provided upon installation on board

## Standards and regulations

Standards/regulations	IEC 60664
	DIN EN 50178

## Mounting

Mounting type	Plug-on assembly
Assembly instructions	in rows with zero spacing
Mounting position	any

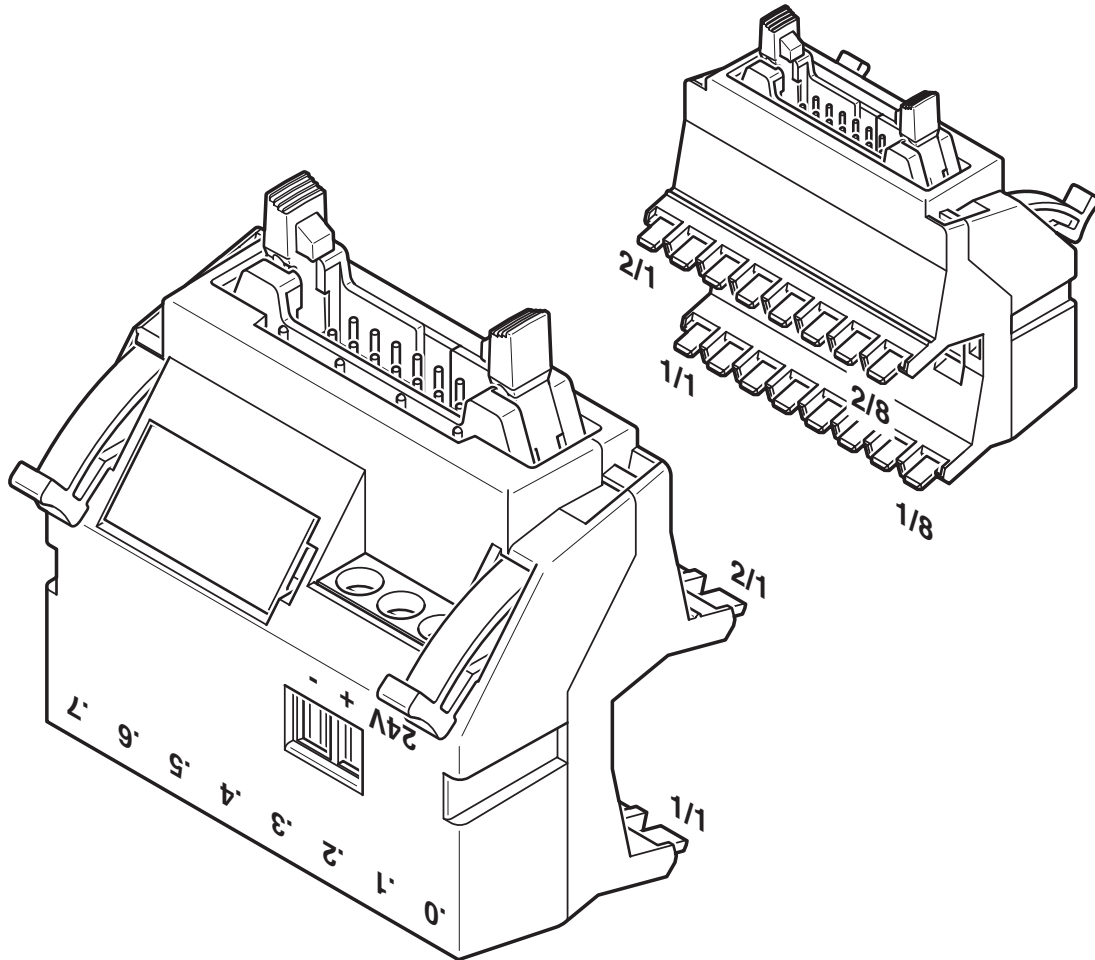
# PLC-V8/FLK14/IN - System connection

2296553

<https://www.phoenixcontact.com/in/products/2296553>

## Drawings

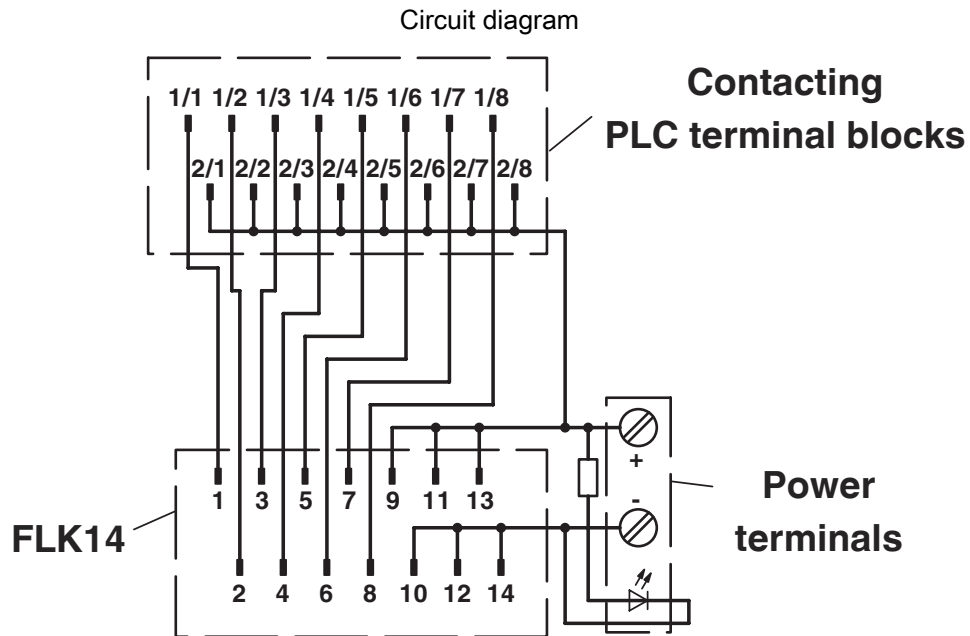
### Schematic diagram



# PLC-V8/FLK14/IN - System connection

2296553

<https://www.phoenixcontact.com/in/products/2296553>



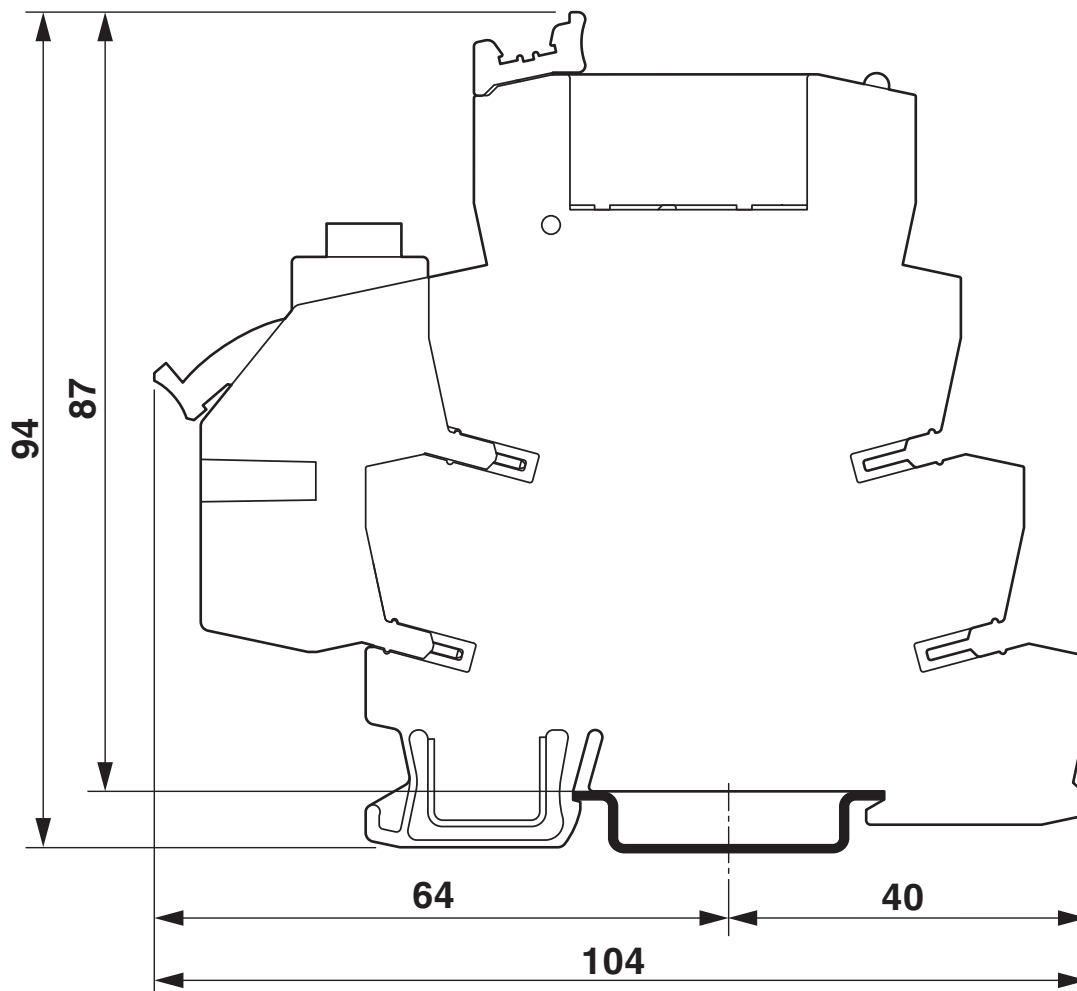
# PLC-V8/FLK14/IN - System connection



2296553

<https://www.phoenixcontact.com/in/products/2296553>

Dimensional drawing





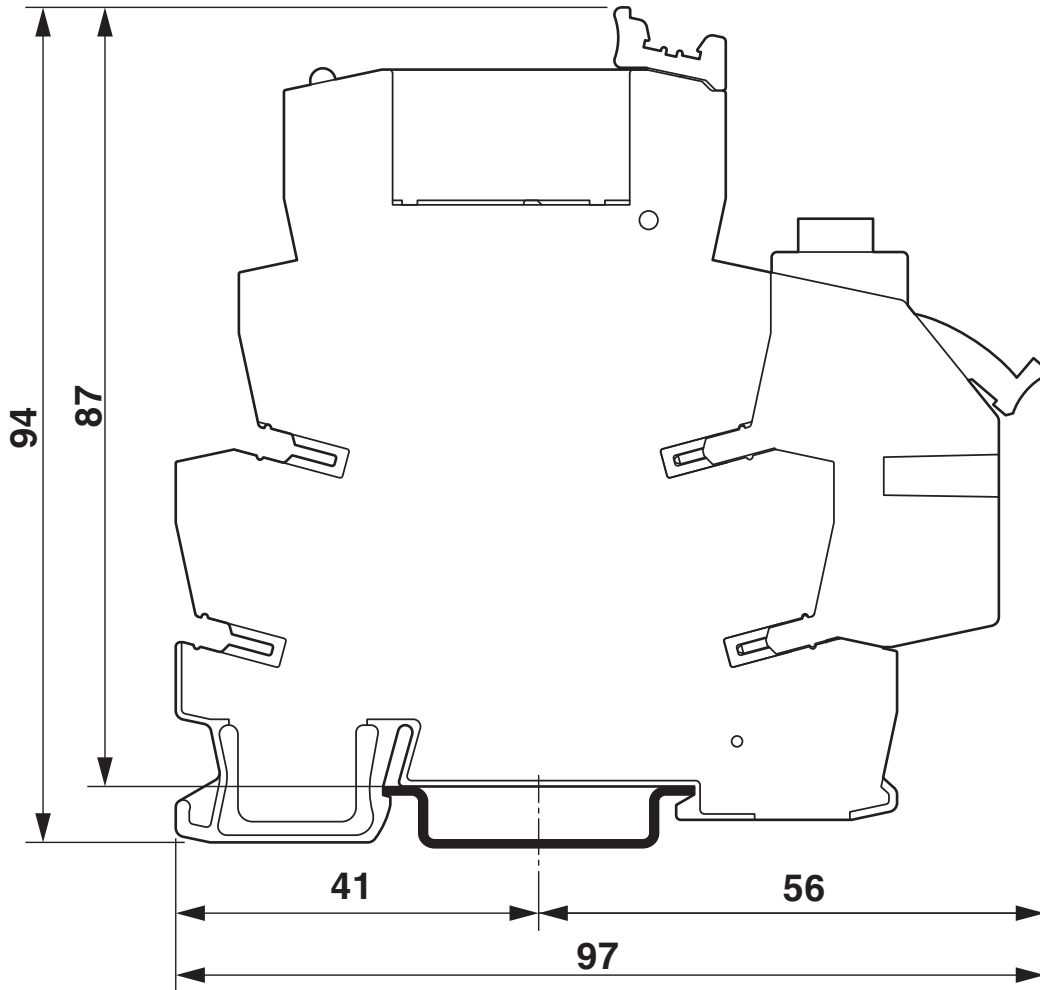
# PLC-V8/FLK14/IN - System connection



2296553

<https://www.phoenixcontact.com/in/products/2296553>

Dimensional drawing



# PLC-V8/FLK14/IN - System connection




2296553

<https://www.phoenixcontact.com/in/products/2296553>

## Approvals

 <b>cUL Recognized</b> Approval ID: FILE E 238705				
	Nominal Voltage $U_N$	Nominal Current $I_N$	Cross Section AWG	Cross Section $\text{mm}^2$
	24 V	1 A	-	-


 <b>UL Recognized</b> Approval ID: FILE E 238705				
	Nominal Voltage $U_N$	Nominal Current $I_N$	Cross Section AWG	Cross Section $\text{mm}^2$
	24 V	1 A	-	-


 <b>DNV GL</b> Approval ID: TAE0000196
----------------------------------------------------------------------------------------------------------------------------

 <b>PRS</b> Approval ID: TE/2109/880590/16
----------------------------------------------------------------------------------------------------------------------------------

 <b>UL Listed</b> Approval ID: FILE E 172140
------------------------------------------------------------------------------------------------------------------------------------

 <b>cUL Listed</b> Approval ID: FILE E 172140
-------------------------------------------------------------------------------------------------------------------------------------

 <b>cUL Listed</b> Approval ID: FILE E 199827
-------------------------------------------------------------------------------------------------------------------------------------

 <b>UL Listed</b> Approval ID: FILE E 199827
------------------------------------------------------------------------------------------------------------------------------------

# PLC-V8/FLK14/IN - System connection



2296553

<https://www.phoenixcontact.com/in/products/2296553>

## Classifications

### ECLASS

ECLASS-11.0	27141152
ECLASS-13.0	27141152
ECLASS-12.0	27141152

### ETIM

ETIM 8.0	EC002780
----------	----------

### UNSPSC

UNSPSC 21.0	39121400
-------------	----------

# PLC-V8/FLK14/IN - System connection



2296553

<https://www.phoenixcontact.com/in/products/2296553>

## Environmental Product Compliance

REACH SVHC	Lead 7439-92-1
	Hexahydromethylphthalic anhydride
China RoHS	Environmentally Friendly Use Period = 50 years
	For information on hazardous substances, refer to the manufacturer's declaration available under "Downloads"

# PLC-V8/FLK14/IN - System connection

2296553

<https://www.phoenixcontact.com/in/products/2296553>

## Mandatory Accessories

### PLC-RPT- 12DC/21AU - Relay Module

2900317

<https://www.phoenixcontact.com/in/products/2900317>



PLC-INTERFACE, consisting of PLC-BPT.../21 basic terminal block with Push-in connection and plug-in miniature relay with multi-layer gold contact, for mounting on DIN rail NS 35/7,5, 1 changeover contact, input voltage 12 V DC

---

### PLC-RSC- 12DC/21AU - Relay Module

2966919

<https://www.phoenixcontact.com/in/products/2966919>



PLC-INTERFACE, consisting of PLC-BSC.../21 basic terminal block with screw connection and plug-in miniature relay with multi-layer gold contact, for mounting on DIN rail NS 35/7,5, 1 changeover contact, input voltage 12 V DC

# PLC-V8/FLK14/IN - System connection

2296553

<https://www.phoenixcontact.com/in/products/2296553>

## PLC-RPT- 24DC/21AU - Relay Module

2900306

<https://www.phoenixcontact.com/in/products/2900306>



PLC-INTERFACE, consisting of PLC-BPT.../21 basic terminal block with Push-in connection and plug-in miniature relay with multi-layer gold contact, for mounting on DIN rail NS 35/7,5, 1 changeover contact, input voltage 24 V DC

---

## PLC-RSC- 24DC/21AU - Relay Module

2966265

<https://www.phoenixcontact.com/in/products/2966265>



PLC-INTERFACE, consisting of PLC-BSC.../21 basic terminal block with screw connection and plug-in miniature relay with multi-layer gold contact, for mounting on DIN rail NS 35/7,5, 1 changeover contact, input voltage 24 V DC

# PLC-V8/FLK14/IN - System connection

2296553

<https://www.phoenixcontact.com/in/products/2296553>

## PLC-RPT- 24UC/21AU - Relay Module

2900307

<https://www.phoenixcontact.com/in/products/2900307>



PLC-INTERFACE, consisting of PLC-BPT.../21 basic terminal block with Push-in connection and plug-in miniature relay with multi-layer gold contact, for mounting on DIN rail NS 35/7,5, 1 changeover contact, input voltage 24 V AC/DC

---

## PLC-RSC- 24UC/21AU - Relay Module

2966278

<https://www.phoenixcontact.com/in/products/2966278>



PLC-INTERFACE, consisting of PLC-BSC.../21 basic terminal block with screw connection and plug-in miniature relay with multi-layer gold contact, for mounting on DIN rail NS 35/7,5, 1 changeover contact, input voltage 24 V AC/DC

# PLC-V8/FLK14/IN - System connection

2296553

<https://www.phoenixcontact.com/in/products/2296553>

## PLC-RPT- 48DC/21AU - Relay Module

2900308

<https://www.phoenixcontact.com/in/products/2900308>



PLC-INTERFACE, consisting of PLC-BPT.../21 basic terminal block with Push-in connection and plug-in miniature relay with multi-layer gold contact, for mounting on DIN rail NS 35/7,5, 1 changeover contact, input voltage 48 V DC

---

## PLC-RSC- 48DC/21AU - Relay Module

2966126

<https://www.phoenixcontact.com/in/products/2966126>



PLC-INTERFACE, consisting of PLC-BSC.../21 basic terminal block with screw connection and plug-in miniature relay with multi-layer gold contact, for mounting on DIN rail NS 35/7,5, 1 changeover contact, input voltage 48 V DC



# PLC-V8/FLK14/IN - System connection

2296553

<https://www.phoenixcontact.com/in/products/2296553>

## PLC-RPT- 60DC/21AU - Relay Module

2900309

<https://www.phoenixcontact.com/in/products/2900309>



PLC-INTERFACE, consisting of PLC-BPT.../21 basic terminal block with Push-in connection and plug-in miniature relay with multi-layer gold contact, for mounting on DIN rail NS 35/7,5, 1 changeover contact, input voltage 60 V DC

---

## PLC-RSC- 60DC/21AU - Relay Module

2966142

<https://www.phoenixcontact.com/in/products/2966142>



PLC-INTERFACE, consisting of PLC-BSC.../21 basic terminal block with screw connection and plug-in miniature relay with multi-layer gold contact, for mounting on DIN rail NS 35/7,5, 1 changeover contact, input voltage 60 V DC

# PLC-V8/FLK14/IN - System connection

2296553

<https://www.phoenixcontact.com/in/products/2296553>

## PLC-RPT-120UC/21AU - Relay Module

2900310

<https://www.phoenixcontact.com/in/products/2900310>



PLC-INTERFACE, consisting of PLC-BPT.../21 basic terminal block with Push-in connection and plug-in miniature relay with multi-layer gold contact, for mounting on DIN rail NS 35/7,5, 1 changeover contact, input voltage 120 V AC/110 V DC

---

## PLC-RSC-120UC/21AU - Relay Module

2966281

<https://www.phoenixcontact.com/in/products/2966281>



PLC-INTERFACE, consisting of PLC-BSC.../21 basic terminal block with screw connection and plug-in miniature relay with multi-layer gold contact, for mounting on DIN rail NS 35/7,5, 1 changeover contact, input voltage 120 V AC/110 V DC

# PLC-V8/FLK14/IN - System connection

2296553

<https://www.phoenixcontact.com/in/products/2296553>

## PLC-RPT-230UC/21AU - Relay Module

2900311

<https://www.phoenixcontact.com/in/products/2900311>



PLC-INTERFACE, consisting of PLC-BPT.../21 basic terminal block with Push-in connection and plug-in miniature relay with multi-layer gold contact, for mounting on DIN rail NS 35/7,5, 1 changeover contact, input voltage 230 V AC/220 V DC

---

## PLC-RSC-230UC/21AU - Relay Module

2966294

<https://www.phoenixcontact.com/in/products/2966294>



PLC-INTERFACE, consisting of PLC-BSC.../21 basic terminal block with screw connection and plug-in miniature relay with multi-layer gold contact, for mounting on DIN rail NS 35/7,5, 1 changeover contact, input voltage 230 V AC/220 V DC

# PLC-V8/FLK14/IN - System connection

2296553

<https://www.phoenixcontact.com/in/products/2296553>

## PLC-BPT-120UC/21/SO46 - Relay base

2900453

<https://www.phoenixcontact.com/in/products/2900453>



6.2 mm PLC basic terminal block against interference currents/voltages on the control side with Push-in connection, without relay or solid-state relay, for mounting on DIN rail NS 35/7,5, with integrated RCZ filter, 1 changeover contact, input voltage 120 V AC

---

## PLC-BSC-120UC/21/SO46 - Relay base

2980319

<https://www.phoenixcontact.com/in/products/2980319>



6.2 mm PLC basic terminal block with protection against interference currents/voltages on the control side, with screw connection, without relay or solid-state relay, for mounting on DIN rail NS 35/7,5, with integrated RCZ filter, 1 changeover contact, input voltage 120 V AC

# PLC-V8/FLK14/IN - System connection

2296553

<https://www.phoenixcontact.com/in/products/2296553>

## PLC-BPT-230UC/21/SO46 - Relay base

2900455

<https://www.phoenixcontact.com/in/products/2900455>



6.2 mm PLC basic terminal block against interference currents/voltages on the control side with Push-in connection, without relay or solid-state relay, for mounting on DIN rail NS 35/7,5, with integrated RCZ filter, 1 changeover contact, input voltage 230 V AC

---

## PLC-BSC-230UC/21/SO46 - Relay base

2980335

<https://www.phoenixcontact.com/in/products/2980335>



6.2 mm PLC basic terminal block with protection against interference currents/voltages on the control side, with screw connection, without relay or solid-state relay, for mounting on DIN rail NS 35/7,5, with integrated RCZ filter, 1 changeover contact, input voltage 230 V AC

# PLC-V8/FLK14/IN - System connection

2296553

<https://www.phoenixcontact.com/in/products/2296553>

## PLC-OPT- 24DC/ 48DC/100 - Solid-state relay module

2900352

<https://www.phoenixcontact.com/in/products/2900352>



PLC-INTERFACE, consisting of PLC-BPT.../21 basic terminal block with push-in connection and plug-in miniature solid-state relay, for mounting on DIN rail NS 35/7,5, 1 N/O contact, input: 24 V DC, output: 3 - 48 V DC/100 mA

---

## PLC-OSC- 24DC/ 48DC/100 - Solid-state relay module

2966728

<https://www.phoenixcontact.com/in/products/2966728>



PLC-INTERFACE, consisting of PLC-BSC.../21 basic terminal block with screw connection and plug-in miniature solid-state relay, for mounting on DIN rail NS 35/7,5, 1 N/O contact, input: 24 V DC, output: 3 - 48 V DC/100 mA

# PLC-V8/FLK14/IN - System connection

2296553

<https://www.phoenixcontact.com/in/products/2296553>

## PLC-OPT- 48DC/ 48DC/100 - Solid-state relay module

2900353

<https://www.phoenixcontact.com/in/products/2900353>



PLC-INTERFACE, consisting of PLC-BPT.../21 basic terminal block with push-in connection and plug-in miniature solid-state relay, for mounting on DIN rail NS 35/7,5, 1 N/O contact, input: 48 V DC, output: 3 - 48 V DC/100 mA

---

## PLC-OSC- 48DC/ 48DC/100 - Solid-state relay module

2966993

<https://www.phoenixcontact.com/in/products/2966993>



PLC-INTERFACE, consisting of PLC-BSC.../21 basic terminal block with screw connection and plug-in miniature solid-state relay, for mounting on DIN rail NS 35/7,5, 1 N/O contact, input: 48 V DC, output: 3 - 48 V DC/100 mA

# PLC-V8/FLK14/IN - System connection

2296553

<https://www.phoenixcontact.com/in/products/2296553>

## PLC-OPT- 60DC/ 48DC/100 - Solid-state relay module

2900354

<https://www.phoenixcontact.com/in/products/2900354>



PLC-INTERFACE, consisting of PLC-BPT.../21 basic terminal block with push-in connection and plug-in miniature solid-state relay, for mounting on DIN rail NS 35/7,5, 1 N/O contact, input: 60 V DC, output: 3 - 48 V DC/100 mA

---

## PLC-OSC- 60DC/ 48DC/100 - Solid-state relay module

2967455

<https://www.phoenixcontact.com/in/products/2967455>



PLC-INTERFACE, consisting of PLC-BSC.../21 basic terminal block with screw connection and plug-in miniature solid-state relay, for mounting on DIN rail NS 35/7,5, 1 N/O contact, input: 60 V DC, output: 3 - 48 V DC/100 mA



# PLC-V8/FLK14/IN - System connection

2296553

<https://www.phoenixcontact.com/in/products/2296553>

## PLC-OPT-120UC/ 48DC/100 - Solid-state relay module

2900355

<https://www.phoenixcontact.com/in/products/2900355>



PLC-INTERFACE, consisting of PLC-BPT.../21 basic terminal block with push-in connection and plug-in miniature solid-state relay, for mounting on DIN rail NS 35/7,5, 1 N/O contact, input: 120 V AC/110 V DC, output: 3 - 48 V DC/100 mA

---

## PLC-OSC-120UC/ 48DC/100 - Solid-state relay module

2966744

<https://www.phoenixcontact.com/in/products/2966744>



PLC-INTERFACE, consisting of PLC-BSC.../21 basic terminal block with screw connection and plug-in miniature solid-state relay, for mounting on DIN rail NS 35/7,5, 1 N/O contact, input: 120 V AC/110 V DC, output: 3 - 48 V DC/100 mA

# PLC-V8/FLK14/IN - System connection

2296553

<https://www.phoenixcontact.com/in/products/2296553>

## PLC-OPT-230UC/ 48DC/100 - Solid-state relay module

2900356

<https://www.phoenixcontact.com/in/products/2900356>



PLC-INTERFACE, consisting of PLC-BPT.../21 basic terminal block with push-in connection and plug-in miniature solid-state relay, for mounting on DIN rail NS 35/7,5, 1 N/O contact, input: 230 V AC/220 V DC, output: 3 - 48 V DC/100 mA

---

## PLC-OSC-230UC/ 48DC/100 - Solid-state relay module

2966757

<https://www.phoenixcontact.com/in/products/2966757>



PLC-INTERFACE, consisting of PLC-BSC.../21 basic terminal block with screw connection and plug-in miniature solid-state relay, for mounting on DIN rail NS 35/7,5, 1 N/O contact, input: 230 V AC/220 V DC, output: 3 - 48 V DC/100 mA

# PLC-V8/FLK14/IN - System connection

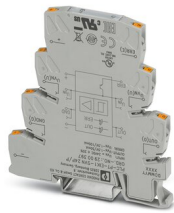
2296553

<https://www.phoenixcontact.com/in/products/2296553>

## PLC-PT-EIK 1-SVN 24P/P - Solid-state relay module

2900397

<https://www.phoenixcontact.com/in/products/2900397>



PLC-INTERFACE for NAMUR applications, consisting of PLC-BPT.../21 basic terminal block with Push-in connection and integrated circuit, for mounting on NS 35/7,5 DIN rail, positive switching output, 24 V DC supply voltage

---

## PLC-SC-EIK 1-SVN 24P/P - Solid-state relay module

2982663

<https://www.phoenixcontact.com/in/products/2982663>



PLC-INTERFACE for NAMUR applications, consisting of PLC-BSC.../21 basic terminal block with screw connection and integrated circuit, for mounting on NS 35/7,5 DIN rail, positive switching output, 24 V DC supply voltage

# PLC-V8/FLK14/IN - System connection

2296553

<https://www.phoenixcontact.com/in/products/2296553>

## PLC-VT - Feed-through terminal block

2296870

<https://www.phoenixcontact.com/in/products/2296870>



VARIOFACE feed-through terminal block (2-conductor screw connection), for PLC-INTERFACE universal series

---

## PLC-VT/LA - Feed-through terminal block

2296854

<https://www.phoenixcontact.com/in/products/2296854>



VARIOFACE feed-through terminal block (2-conductor screw connection), for PLC-INTERFACE universal series, with 24 V DC LED display

# PLC-V8/FLK14/IN - System connection

2296553

<https://www.phoenixcontact.com/in/products/2296553>

## PLC-RPT- 24DC/ 1AU/SEN - Relay Module

2900313

<https://www.phoenixcontact.com/in/products/2900313>



PLC-INTERFACE for input functions, consisting of PLC-BPT.../SEN basic terminal block with push-in connection and plug-in miniature relay with multi-layer gold contact, for mounting on DIN rail NS 35/7,5, 1 N/O contact, input voltage 24 V DC

---

## PLC-RSC- 24DC/ 1AU/SEN - Relay Module

2966317

<https://www.phoenixcontact.com/in/products/2966317>



PLC-INTERFACE for input functions, consisting of PLC-BSC.../SEN basic terminal block with screw connection and plug-in miniature relay with multi-layer gold contact, for mounting on DIN rail NS 35/7,5, 1 N/O contact, input voltage 24 V DC

# PLC-V8/FLK14/IN - System connection

2296553

<https://www.phoenixcontact.com/in/products/2296553>

## PLC-RPT-120UC/ 1AU/SEN - Relay Module

2900314

<https://www.phoenixcontact.com/in/products/2900314>



PLC-INTERFACE for input functions, consisting of PLC-BPT.../SEN basic terminal block with push-in connection and plug-in miniature relay with multi-layer gold contact, for mounting on DIN rail NS 35/7,5, 1 N/O contact, input voltage 120 V AC/110 V DC

---

## PLC-RSC-120UC/ 1AU/SEN - Relay Module

2966320

<https://www.phoenixcontact.com/in/products/2966320>



PLC-INTERFACE for input functions, consisting of PLC-BSC.../SEN basic terminal block with screw connection and plug-in miniature relay with multi-layer gold contact, for mounting on DIN rail NS 35/7,5, 1 N/O contact, input voltage 120 V AC/110 V DC

# PLC-V8/FLK14/IN - System connection

2296553

<https://www.phoenixcontact.com/in/products/2296553>

## PLC-RPT-230UC/ 1AU/SEN - Relay Module

2900315

<https://www.phoenixcontact.com/in/products/2900315>



PLC-INTERFACE for input functions, consisting of PLC-BPT.../SEN basic terminal block with push-in connection and plug-in miniature relay with multi-layer gold contact, for mounting on DIN rail NS 35/7,5, 1 N/O contact, input voltage 230 V AC/220 V DC

---

## PLC-RSC-230UC/ 1AU/SEN - Relay Module

2966333

<https://www.phoenixcontact.com/in/products/2966333>



PLC-INTERFACE for input functions, consisting of PLC-BSC.../SEN basic terminal block with screw connection and plug-in miniature relay with multi-layer gold contact, for mounting on DIN rail NS 35/7,5, 1 N/O contact, input voltage 230 V AC/220 V DC

# PLC-V8/FLK14/IN - System connection

2296553

<https://www.phoenixcontact.com/in/products/2296553>

## PLC-BPT-120UC/ 1/SEN/SO46 - Relay base

2900456

<https://www.phoenixcontact.com/in/products/2900456>



6.2 mm PLC basic terminal block with interference current and interference voltage protection on the control side, with push-in connection, without relay or solid-state relay, with sensor supply voltage distribution (BB), 1 N/O contact, input voltage 120 V AC

---

## PLC-BSC-120UC/ 1/SEN/SO46 - Relay base

2980322

<https://www.phoenixcontact.com/in/products/2980322>



6.2 mm PLC basic terminal block with interference current and interference voltage protection on the control side, with screw connection, without relay or solid-state relay, with sensor supply voltage distribution (BB), 1 N/O contact, input voltage 120 V AC



# PLC-V8/FLK14/IN - System connection

2296553

<https://www.phoenixcontact.com/in/products/2296553>

## PLC-BPT-230UC/ 1/SEN/SO46 - Relay base

2900457

<https://www.phoenixcontact.com/in/products/2900457>



6.2 mm PLC basic terminal block with interference current and interference voltage protection on the control side, with push-in connection, without relay or solid-state relay, with sensor supply voltage distribution (BB), 1 N/O contact, input voltage 230 V AC

---

## PLC-BSC-230UC/ 1/SEN/SO46 - Relay base

2980348

<https://www.phoenixcontact.com/in/products/2980348>



6.2 mm PLC basic terminal block with interference current and interference voltage protection on the control side, with screw connection, without relay or solid-state relay, with sensor supply voltage distribution (BB), 1 N/O contact, input voltage 230 V AC

# PLC-V8/FLK14/IN - System connection

2296553

<https://www.phoenixcontact.com/in/products/2296553>

## PLC-OPT- 24DC/ 48DC/100/SEN - Solid-state relay module

2900358

<https://www.phoenixcontact.com/in/products/2900358>



PLC-INTERFACE for input functions, consisting of PLC-BPT.../SEN basic terminal block with push-in connection and plug-in miniature solid-state relay, for mounting on DIN rail NS 35/7,5, 1 N/O contact, input: 24 V DC, output: 3 - 48 V DC/100 mA

---

## PLC-OSC- 24DC/ 48DC/100/SEN - Solid-state relay module

2966773

<https://www.phoenixcontact.com/in/products/2966773>



PLC-INTERFACE for input functions, consisting of PLC-BSC.../SEN basic terminal block with screw connection and plug-in miniature solid-state relay, for mounting on DIN rail NS 35/7,5, 1 N/O contact, input: 24 V DC, output: 3 - 48 V DC/100 mA

# PLC-V8/FLK14/IN - System connection

2296553

<https://www.phoenixcontact.com/in/products/2296553>

## PLC-OPT-120UC/ 48DC/100/SEN - Solid-state relay module

2900359

<https://www.phoenixcontact.com/in/products/2900359>



PLC-INTERFACE for input functions, consisting of PLC-BPT.../SEN basic terminal block with push-in connection and plug-in miniature solid-state relay, for mounting on DIN rail NS 35/7,5, 1 N/O contact, input: 120 V AC/110 V DC, output: 3 - 48 V DC/100 mA

---

## PLC-OSC-120UC/ 48DC/100/SEN - Solid-state relay module

2966799

<https://www.phoenixcontact.com/in/products/2966799>



PLC-INTERFACE for input functions, consisting of PLC-BSC.../SEN basic terminal block with screw connection and plug-in miniature solid-state relay, for mounting on DIN rail NS 35/7,5, 1 N/O contact, input: 120 V AC/110 V DC, output: 3 - 48 V DC/100 mA

# PLC-V8/FLK14/IN - System connection

2296553

<https://www.phoenixcontact.com/in/products/2296553>

## PLC-OPT-230UC/ 48DC/100/SEN - Solid-state relay module

2900361

<https://www.phoenixcontact.com/in/products/2900361>



PLC-INTERFACE for input functions, consisting of PLC-BPT.../SEN basic terminal block with push-in connection and plug-in miniature solid-state relay, for mounting on DIN rail NS 35/7,5, 1 N/O contact, input: 230 V AC/220 V DC, output: 3 - 48 V DC/100 mA

---

## PLC-OSC-230UC/ 48DC/100/SEN - Solid-state relay module

2966809

<https://www.phoenixcontact.com/in/products/2966809>



PLC-INTERFACE for input functions, consisting of PLC-BSC.../SEN basic terminal block with screw connection and plug-in miniature solid-state relay, for mounting on DIN rail NS 35/7,5, 1 N/O contact, input: 230 V AC/220 V DC, output: 3 - 48 V DC/100 mA

---

## Accessories

# PLC-V8/FLK14/IN - System connection

2296553

<https://www.phoenixcontact.com/in/products/2296553>

## FLK 14/EZ-DR/ 30/KONFEK - Cable

2295729

<https://www.phoenixcontact.com/in/products/2295729>



Round cable set; connection 1: IDC/FLK socket strip (1x 14-position); connection 2: IDC/FLK socket strip (1x 14-position); cable length: 0.3 m

---

## FLK 14/EZ-DR/ 50/KONFEK - Cable

2288901

<https://www.phoenixcontact.com/in/products/2288901>



Round cable set; connection 1: IDC/FLK socket strip (1x 14-position); connection 2: IDC/FLK socket strip (1x 14-position); cable length: 0.5 m

# PLC-V8/FLK14/IN - System connection

2296553

<https://www.phoenixcontact.com/in/products/2296553>

## FLK 14/EZ-DR/ 100/KONFEK - Cable

2288914

<https://www.phoenixcontact.com/in/products/2288914>



Round cable set; connection 1: IDC/FLK socket strip (1x 14-position); connection 2: IDC/FLK socket strip (1x 14-position); cable length: 1 m

---

## FLK 14/EZ-DR/ 150/KONFEK - Cable

2288927

<https://www.phoenixcontact.com/in/products/2288927>



Round cable set; connection 1: IDC/FLK socket strip (1x 14-position); connection 2: IDC/FLK socket strip (1x 14-position); cable length: 1.5 m

# PLC-V8/FLK14/IN - System connection

2296553

<https://www.phoenixcontact.com/in/products/2296553>

## FLK 14/EZ-DR/ 200/KONFEK - Cable

2288930

<https://www.phoenixcontact.com/in/products/2288930>



Round cable set; connection 1: IDC/FLK socket strip (1x 14-position); connection 2: IDC/FLK socket strip (1x 14-position); cable length: 2 m

---

## FLK 14/EZ-DR/ 250/KONFEK - Cable

2288943

<https://www.phoenixcontact.com/in/products/2288943>



Round cable set; connection 1: IDC/FLK socket strip (1x 14-position); connection 2: IDC/FLK socket strip (1x 14-position); cable length: 2.5 m

# PLC-V8/FLK14/IN - System connection

2296553

<https://www.phoenixcontact.com/in/products/2296553>

## FLK 14/EZ-DR/ 300/KONFEK - Cable

2288956

<https://www.phoenixcontact.com/in/products/2288956>



Round cable set; connection 1: IDC/FLK socket strip (1x 14-position); connection 2: IDC/FLK socket strip (1x 14-position); cable length: 3 m

---

## FLK 14/EZ-DR/ 350/KONFEK - Cable

2288969

<https://www.phoenixcontact.com/in/products/2288969>



Round cable set; connection 1: IDC/FLK socket strip (1x 14-position); connection 2: IDC/FLK socket strip (1x 14-position); cable length: 3.5 m



# PLC-V8/FLK14/IN - System connection

2296553

<https://www.phoenixcontact.com/in/products/2296553>

## FLK 14/EZ-DR/ 400/KONFEK - Cable

2288972

<https://www.phoenixcontact.com/in/products/2288972>



Round cable set; connection 1: IDC/FLK socket strip (1x 14-position); connection 2: IDC/FLK socket strip (1x 14-position); cable length: 4 m

---

## FLK 14/EZ-DR/ 500/KONFEK - Cable

2290834

<https://www.phoenixcontact.com/in/products/2290834>



Round cable set; connection 1: IDC/FLK socket strip (1x 14-position); connection 2: IDC/FLK socket strip (1x 14-position); cable length: 5 m

# PLC-V8/FLK14/IN - System connection

2296553

<https://www.phoenixcontact.com/in/products/2296553>

## FLK 14/EZ-DR/ 600/KONFEK - Cable

2290863

<https://www.phoenixcontact.com/in/products/2290863>



Round cable set; connection 1: IDC/FLK socket strip (1x 14-position); connection 2: IDC/FLK socket strip (1x 14-position); cable length: 6 m

---

## FLK 14/EZ-DR/ 800/KONFEK - Cable

2299563

<https://www.phoenixcontact.com/in/products/2299563>



Round cable set; connection 1: IDC/FLK socket strip (1x 14-position); connection 2: IDC/FLK socket strip (1x 14-position); cable length: 8 m

# PLC-V8/FLK14/IN - System connection

2296553

<https://www.phoenixcontact.com/in/products/2296553>

## FLK 14/EZ-DR/1000/KONFEK - Cable

2299576

<https://www.phoenixcontact.com/in/products/2299576>



Round cable set; connection 1: IDC/FLK socket strip (1x 14-position); connection 2: IDC/FLK socket strip (1x 14-position); cable length: 10 m

---

## FLK 14/EZ-DR/HF/ 50/KONFEK - Cable

2305952

<https://www.phoenixcontact.com/in/products/2305952>



Assembled, halogen-free round cable; connection 1: IDC/FLK socket strip (1x 14-position); connection 2: IDC/FLK socket strip (1x 14-position); cable length: 0.5 m

# PLC-V8/FLK14/IN - System connection

2296553

<https://www.phoenixcontact.com/in/products/2296553>

## FLK 14/EZ-DR/HF/ 100/KONFEK - Cable

2305965

<https://www.phoenixcontact.com/in/products/2305965>



Assembled, halogen-free round cable; connection 1: IDC/FLK socket strip (1x 14-position); connection 2: IDC/FLK socket strip (1x 14-position); cable length: 1 m

---

## FLK 14/EZ-DR/HF/ 150/KONFEK - Cable

2305978

<https://www.phoenixcontact.com/in/products/2305978>



Assembled, halogen-free round cable; connection 1: IDC/FLK socket strip (1x 14-position); connection 2: IDC/FLK socket strip (1x 14-position); cable length: 1.5 m

# PLC-V8/FLK14/IN - System connection

2296553

<https://www.phoenixcontact.com/in/products/2296553>

## FLK 14/EZ-DR/HF/ 200/KONFEK - Cable

2305981

<https://www.phoenixcontact.com/in/products/2305981>



Assembled, halogen-free round cable; connection 1: IDC/FLK socket strip (1x 14-position); connection 2: IDC/FLK socket strip (1x 14-position); cable length: 2 m

---

## FLK 14/EZ-DR/HF/ 250/KONFEK - Cable

2305994

<https://www.phoenixcontact.com/in/products/2305994>



Assembled, halogen-free round cable; connection 1: IDC/FLK socket strip (1x 14-position); connection 2: IDC/FLK socket strip (1x 14-position); cable length: 2.5 m

# PLC-V8/FLK14/IN - System connection



2296553

<https://www.phoenixcontact.com/in/products/2296553>

## FLK 14/EZ-DR/HF/ 300/KONFEK - Cable

2304759

<https://www.phoenixcontact.com/in/products/2304759>



Assembled, halogen-free round cable; connection 1: IDC/FLK socket strip (1x 14-position); connection 2: IDC/FLK socket strip (1x 14-position); cable length: 3 m

---

## FLK 14/EZ-DR/HF/ 400/KONFEK - Cable

2304762

<https://www.phoenixcontact.com/in/products/2304762>



Assembled, halogen-free round cable; connection 1: IDC/FLK socket strip (1x 14-position); connection 2: IDC/FLK socket strip (1x 14-position); cable length: 4 m

# PLC-V8/FLK14/IN - System connection

2296553

<https://www.phoenixcontact.com/in/products/2296553>

## FLK 14/EZ-DR/HF/ 500/KONFEK - Cable

2304717

<https://www.phoenixcontact.com/in/products/2304717>



Assembled, halogen-free round cable; connection 1: IDC/FLK socket strip (1x 14-position); connection 2: IDC/FLK socket strip (1x 14-position); cable length: 5 m

---

## FLK 14/EZ-DR/HF/ 600/KONFEK - Cable

2306003

<https://www.phoenixcontact.com/in/products/2306003>



Assembled, halogen-free round cable; connection 1: IDC/FLK socket strip (1x 14-position); connection 2: IDC/FLK socket strip (1x 14-position); cable length: 6 m

# PLC-V8/FLK14/IN - System connection



2296553

<https://www.phoenixcontact.com/in/products/2296553>

## FLK 14-EZ-DR-HF/... - Cable

2314040

<https://www.phoenixcontact.com/in/products/2314040>



Assembled, halogen-free round cable; connection 1: IDC/FLK socket strip (1x 14-position); connection 2: IDC/FLK socket strip (1x 14-position); cable length: variable

---

## FLK 14/EZ-DR/ 50/KONFEK/S - Cable

2296977

<https://www.phoenixcontact.com/in/products/2296977>



Assembled shielded round cable; connection 1: IDC/FLK socket strip (1x 14-position); connection 2: IDC/FLK socket strip (1x 14-position) (The braided shield is routed to a separate cable end.); cable length: 0.5 m



# PLC-V8/FLK14/IN - System connection

2296553

<https://www.phoenixcontact.com/in/products/2296553>

## FLK 14/EZ-DR/ 100/KONFEK/S - Cable

2296980

<https://www.phoenixcontact.com/in/products/2296980>



Assembled shielded round cable; connection 1: IDC/FLK socket strip (1x 14-position); connection 2: IDC/FLK socket strip (1x 14-position) (The braided shield is routed to a separate cable end.); cable length: 1 m

---

## FLK 14/EZ-DR/ 120/KONFEK/S - Cable

2299071

<https://www.phoenixcontact.com/in/products/2299071>



Assembled shielded round cable; connection 1: IDC/FLK socket strip (1x 14-position); connection 2: IDC/FLK socket strip (1x 14-position) (The braided shield is routed to a separate cable end.); cable length: 1.2 m

# PLC-V8/FLK14/IN - System connection

2296553

<https://www.phoenixcontact.com/in/products/2296553>

## FLK 14/EZ-DR/ 150/KONFEK/S - Cable

2296993

<https://www.phoenixcontact.com/in/products/2296993>



Assembled shielded round cable; connection 1: IDC/FLK socket strip (1x 14-position); connection 2: IDC/FLK socket strip (1x 14-position) (The braided shield is routed to a separate cable end.); cable length: 1.5 m

---

## FLK 14/EZ-DR/ 180/KONFEK/S - Cable

2299084

<https://www.phoenixcontact.com/in/products/2299084>



Assembled shielded round cable; connection 1: IDC/FLK socket strip (1x 14-position); connection 2: IDC/FLK socket strip (1x 14-position) (The braided shield is routed to a separate cable end.); cable length: 1.8 m

# PLC-V8/FLK14/IN - System connection



2296553

<https://www.phoenixcontact.com/in/products/2296553>

## FLK 14/EZ-DR/ 200/KONFEK/S - Cable

2297002

<https://www.phoenixcontact.com/in/products/2297002>



Assembled shielded round cable; connection 1: IDC/FLK socket strip (1x 14-position); connection 2: IDC/FLK socket strip (1x 14-position) (The braided shield is routed to a separate cable end.); cable length: 2 m

---

## FLK 14/EZ-DR/ 300/KONFEK/S - Cable

2299013

<https://www.phoenixcontact.com/in/products/2299013>



Assembled shielded round cable; connection 1: IDC/FLK socket strip (1x 14-position); connection 2: IDC/FLK socket strip (1x 14-position) (The braided shield is routed to a separate cable end.); cable length: 3 m

# PLC-V8/FLK14/IN - System connection

2296553

<https://www.phoenixcontact.com/in/products/2296553>

## FLK 14/EZ-DR/ 400/KONFEK/S - Cable

2299026

<https://www.phoenixcontact.com/in/products/2299026>



Assembled shielded round cable; connection 1: IDC/FLK socket strip (1x 14-position); connection 2: IDC/FLK socket strip (1x 14-position) (The braided shield is routed to a separate cable end.); cable length: 4 m

---

## FLK 14/EZ-DR/ 600/KONFEK/S - Cable

2299039

<https://www.phoenixcontact.com/in/products/2299039>



Assembled shielded round cable; connection 1: IDC/FLK socket strip (1x 14-position); connection 2: IDC/FLK socket strip (1x 14-position) (The braided shield is routed to a separate cable end.); cable length: 6 m

# PLC-V8/FLK14/IN - System connection



2296553

<https://www.phoenixcontact.com/in/products/2296553>

## FLK 14/EZ-DR/ 800/KONFEK/S - Cable

2299042

<https://www.phoenixcontact.com/in/products/2299042>



Assembled shielded round cable; connection 1: IDC/FLK socket strip (1x 14-position); connection 2: IDC/FLK socket strip (1x 14-position) (The braided shield is routed to a separate cable end.); cable length: 8 m

---

## FLK 14/EZ-DR/1000/KONFEK/S - Cable

2299055

<https://www.phoenixcontact.com/in/products/2299055>



Assembled shielded round cable; connection 1: IDC/FLK socket strip (1x 14-position); connection 2: IDC/FLK socket strip (1x 14-position) (The braided shield is routed to a separate cable end.); cable length: 10 m

# PLC-V8/FLK14/IN - System connection

2296553

<https://www.phoenixcontact.com/in/products/2296553>

## FLK 50/4X14/EZ-DR/ 50/KONFEK - Cable

2296689

<https://www.phoenixcontact.com/in/products/2296689>



Round cable set; connection 1: IDC/FLK socket strip (1x 50-position); connection 2: IDC/FLK socket strip (4x 14-position); cable length: 0.5 m

---

## FLK 50/4X14/EZ-DR/ 100/KONFEK - Cable

2296692

<https://www.phoenixcontact.com/in/products/2296692>



Round cable set; connection 1: IDC/FLK socket strip (1x 50-position); connection 2: IDC/FLK socket strip (4x 14-position); cable length: 1 m

# PLC-V8/FLK14/IN - System connection

2296553

<https://www.phoenixcontact.com/in/products/2296553>

## FLK 50/4X14/EZ-DR/ 150/KONFEK - Cable

2296702

<https://www.phoenixcontact.com/in/products/2296702>



Round cable set; connection 1: IDC/FLK socket strip (1x 50-position); connection 2: IDC/FLK socket strip (4x 14-position); cable length: 1.5 m

---

## FLK 50/4X14/EZ-DR/ 200/KONFEK - Cable

2296715

<https://www.phoenixcontact.com/in/products/2296715>



Round cable set; connection 1: IDC/FLK socket strip (1x 50-position); connection 2: IDC/FLK socket strip (4x 14-position); cable length: 2 m

# PLC-V8/FLK14/IN - System connection

2296553

<https://www.phoenixcontact.com/in/products/2296553>

## FLK 50/4X14/EZ-DR/ 250/KONFEK - Cable

2305402

<https://www.phoenixcontact.com/in/products/2305402>



Round cable set; connection 1: IDC/FLK socket strip (1x 50-position); connection 2: IDC/FLK socket strip (4x 14-position); cable length: 2.5 m

---

## FLK 50/4X14/EZ-DR/ 300/KONFEK - Cable

2296728

<https://www.phoenixcontact.com/in/products/2296728>



Round cable set; connection 1: IDC/FLK socket strip (1x 50-position); connection 2: IDC/FLK socket strip (4x 14-position); cable length: 3 m



# PLC-V8/FLK14/IN - System connection

2296553

<https://www.phoenixcontact.com/in/products/2296553>

## FLK 50/4X14/EZ-DR/ 400/KONFEK - Cable

2296731

<https://www.phoenixcontact.com/in/products/2296731>



Round cable set; connection 1: IDC/FLK socket strip (1x 50-position); connection 2: IDC/FLK socket strip (4x 14-position); cable length: 4 m

---

## FLK 50/4X14/EZ-DR/ 600/KONFEK - Cable

2296744

<https://www.phoenixcontact.com/in/products/2296744>



Round cable set; connection 1: IDC/FLK socket strip (1x 50-position); connection 2: IDC/FLK socket strip (4x 14-position); cable length: 6 m

# PLC-V8/FLK14/IN - System connection

2296553

<https://www.phoenixcontact.com/in/products/2296553>

## FLK 50/4X14/EZ-DR/1000/KONFEK - Cable

2296773

<https://www.phoenixcontact.com/in/products/2296773>



Round cable set; connection 1: IDC/FLK socket strip (1x 50-position); connection 2: IDC/FLK socket strip (4x 14-position); cable length: 10 m

---

## FLK 50-4X14-EZ-DR ... - Cable

2302405

<https://www.phoenixcontact.com/in/products/2302405>



Round cable set; connection 1: IDC/FLK socket strip (1x 50-position); connection 2: IDC/FLK socket strip (4x 14-position); cable length: variable

# PLC-V8/FLK14/IN - System connection

2296553

<https://www.phoenixcontact.com/in/products/2296553>

## FLK 50-4X14-EZ-DR-S ... - Cable

2302447

<https://www.phoenixcontact.com/in/products/2302447>



Assembled shielded round cable; connection 1: IDC/FLK socket strip (1x 50-position); connection 2: IDC/FLK socket strip (4x 14-position) (The braided shield is routed to four separate cable ends.); cable length: variable

---

## FLKMIL-50/4FLK14/EZ-DR/ 100/CS - Cable

2306951

<https://www.phoenixcontact.com/in/products/2306951>



Assembled shielded round cable; controller: Yokogawa CS3000 CentumVP (ADV561, ADV161); connection 1: IDC/FLK socket strip (1x 50-position); connection 2: IDC/FLK socket strip (4x 14-position); cable length: 1 m

# PLC-V8/FLK14/IN - System connection

2296553

<https://www.phoenixcontact.com/in/products/2296553>

## FLKMIL-50/4FLK14/EZ-DR/ 200/CS - Cable

2306304

<https://www.phoenixcontact.com/in/products/2306304>



Assembled shielded round cable; controller: Yokogawa CS3000 CentumVP (ADV561, ADV161); connection 1: IDC/FLK socket strip (1x 50-position); connection 2: IDC/FLK socket strip (4x 14-position); cable length: 2 m

---

## FLKMIL-50/4FLK14/EZ-DR/ 300/CS - Cable

2306964

<https://www.phoenixcontact.com/in/products/2306964>



Assembled shielded round cable; controller: Yokogawa CS3000 CentumVP (ADV561, ADV161); connection 1: IDC/FLK socket strip (1x 50-position); connection 2: IDC/FLK socket strip (4x 14-position); cable length: 3 m

# PLC-V8/FLK14/IN - System connection

2296553

<https://www.phoenixcontact.com/in/products/2296553>

## FLKMIL-50/4FLK14/EZ-DR/ 500/CS - Cable

2306977

<https://www.phoenixcontact.com/in/products/2306977>



Assembled shielded round cable; controller: Yokogawa CS3000 CentumVP (ADV561, ADV161); connection 1: IDC/FLK socket strip (1x 50-position); connection 2: IDC/FLK socket strip (4x 14-position); cable length: 5 m

---

## FLKMIL-50/4FLK14/EZ-DR/ 600/CS - Cable

2318949

<https://www.phoenixcontact.com/in/products/2318949>



Assembled shielded round cable; controller: Yokogawa CS3000 CentumVP (ADV561, ADV161); connection 1: IDC/FLK socket strip (1x 50-position); connection 2: IDC/FLK socket strip (4x 14-position); cable length: 6 m

# PLC-V8/FLK14/IN - System connection

2296553

<https://www.phoenixcontact.com/in/products/2296553>

## FLKMIL-50/4FLK14/EZ-DR/1000/CS - Cable

2306980

<https://www.phoenixcontact.com/in/products/2306980>



Assembled shielded round cable; controller: Yokogawa CS3000 CentumVP (ADV561, ADV161); connection 1: IDC/FLK socket strip (1x 50-position); connection 2: IDC/FLK socket strip (4x 14-position); cable length: 10 m

---

## FLKMIL-50/4FLK14/EZ-DR/1500/CS - Cable

2301503

<https://www.phoenixcontact.com/in/products/2301503>



Assembled shielded round cable; controller: Yokogawa CS3000 CentumVP (ADV561, ADV161); connection 1: IDC/FLK socket strip (1x 50-position); connection 2: IDC/FLK socket strip (4x 14-position); cable length: 15 m

# PLC-V8/FLK14/IN - System connection



2296553

<https://www.phoenixcontact.com/in/products/2296553>

## FLKMIL-50/4FLK14/EZ-DR/2000/CS - Cable

2301914

<https://www.phoenixcontact.com/in/products/2301914>

Assembled shielded round cable; controller: Yokogawa CS3000 CentumVP (ADV561, ADV161); connection 1: IDC/FLK socket strip (1x 50-position); connection 2: IDC/FLK socket strip (4x 14-position); cable length: 20 m



---

## FLKMIL-50/4FLK14/EZ-DR/3000/CS - Cable

2900159

<https://www.phoenixcontact.com/in/products/2900159>

Assembled shielded round cable; controller: Yokogawa CS3000 CentumVP (ADV561, ADV161); connection 1: IDC/FLK socket strip (1x 50-position); connection 2: IDC/FLK socket strip (4x 14-position); cable length: 30 m



# PLC-V8/FLK14/IN - System connection



2296553

<https://www.phoenixcontact.com/in/products/2296553>

## FLKMIL-50/4FLK14/EZ-DR/4500/CS - Cable

2902911

<https://www.phoenixcontact.com/in/products/2902911>

Assembled shielded round cable; controller: Yokogawa CS3000 CentumVP (ADV561, ADV161); connection 1: IDC/FLK socket strip (1x 50-position); connection 2: IDC/FLK socket strip (4x 14-position); cable length: 45 m



---

## CABLE-50/4FLK14/ 2,0M/YUC - Front adapters

2314655

<https://www.phoenixcontact.com/in/products/2314655>

Cast Yokogawa front adapter with attached round cable and an injection-molded 50-pos. socket strip for the connection of 4 x 8 channels on the field side. Cable length: 2.0 m





# PLC-V8/FLK14/IN - System connection

2296553

<https://www.phoenixcontact.com/in/products/2296553>

## CABLE-50/4FLK14/ 3,0M/YUC - Front adapters

2314668

<https://www.phoenixcontact.com/in/products/2314668>



Cast Yokogawa front adapter with attached round cable and an injection-molded 50-pos. socket strip for the connection of 4 x 8 channels on the field side. Cable length: 3.0 m

---

## CABLE-50/4FLK14/ 4,0M/YUC - Front adapters

2314671

<https://www.phoenixcontact.com/in/products/2314671>



Cast Yokogawa front adapter with attached round cable and an injection-molded 50-pos. socket strip for the connection of 4 x 8 channels on the field side. Cable length: 4.0 m

# PLC-V8/FLK14/IN - System connection

2296553

<https://www.phoenixcontact.com/in/products/2296553>

## CABLE-50/4FLK14/ 6,0M/YUC - Front adapters

2318978

<https://www.phoenixcontact.com/in/products/2318978>



Cast Yokogawa front adapter with attached round cable and an injection-molded 50-pos. socket strip for the connection of 4 x 8 channels on the field side. Cable length: 6.0 m

---

## CABLE-50/4FLK14/10,0M/YUC - Front adapters

2314684

<https://www.phoenixcontact.com/in/products/2314684>



Cast Yokogawa front adapter with attached round cable and an injection-molded 50-pos. socket strip for the connection of 4 x 8 channels on the field side. Cable length: 10.0 m

# PLC-V8/FLK14/IN - System connection

2296553

<https://www.phoenixcontact.com/in/products/2296553>

## CABLE-50/4FLK14/15,0M/YUC - Front adapters

2322773

<https://www.phoenixcontact.com/in/products/2322773>



Cast Yokogawa front adapter with attached round cable and an injection-molded 50-pos. socket strip for the connection of 4 x 8 channels on the field side. Cable length: 15.0 m

---

## CABLE-50/4FLK14/20,0M/YUC - Front adapters

2314778

<https://www.phoenixcontact.com/in/products/2314778>



Cast Yokogawa front adapter with attached round cable and an injection-molded 50-pos. socket strip for the connection of 4 x 8 channels on the field side. Cable length: 20.0 m

# PLC-V8/FLK14/IN - System connection



2296553

<https://www.phoenixcontact.com/in/products/2296553>

## CABLE-50/4FLK14/28,0M/YUC - Front adapters

2901386

<https://www.phoenixcontact.com/in/products/2901386>



Cast Yokogawa front adapter with attached round cable and an injection-molded 50-pos. socket strip for the connection of 4 x 8 channels on the field side. Cable length: 28.0 m

---

## CABLE-50/4FLK14/50,0M/YUC - Front adapters

2314765

<https://www.phoenixcontact.com/in/products/2314765>



Cast Yokogawa front adapter with attached round cable and an injection-molded 50-pos. socket strip for the connection of 4 x 8 channels on the field side. Cable length: 50.0 m

---

Phoenix Contact 2023 © - all rights reserved  
<https://www.phoenixcontact.com>

PHOENIX CONTACT (I) Pvt. Ltd.  
A-58/2, Okhla Industrial Area, Phase - II, New Delhi-110 020

+91.1275.71420  
[info@phoenixcontact.co.in](mailto:info@phoenixcontact.co.in)