

PLC-V8/D15S/IN - System connection



2296074

<https://www.phoenixcontact.com/in/products/2296074>

Please be informed that the data shown in this PDF document is generated from our Online Catalog. Please find the complete data in the user documentation. Our General Terms of Use for Downloads are valid.



V8 adapter for 8 x PLC-INTERFACE (6.2 mm), controller: PLC system cabling of input cards, connection 1: Screw connection 1x, connection 2: D-SUB pin strip 1x 15-position, connection 3: Plug-in connection (Can be snapped onto 8x PLC-INTERFACE terminals), number of channels: 8, control logic: plusschaltend

Commercial Data

Item number	2296074
Packing unit	1 pc
Minimum order quantity	1 pc
Sales Key	CK2
Product Key	CK21C2
Catalog Page	Page 427 (C-5-2019)
GTIN	4017918189129
Weight per Piece (including packing)	110.2 g
Weight per Piece (excluding packing)	110.2 g
Customs tariff number	85369010
Country of origin	DE

Technical Data

Product properties

Product type	Interface module
Product family	PLC-INTERFACE
Number of positions	15
No. of channels	8

Insulation characteristics

Overvoltage category	II
Pollution degree	2

Electrical properties

No. of channels	8
Max. permissible operating voltage	30 V DC
Nominal voltage U_N	24 V DC
Max. current carrying capacity per branch	1 A (per signal path)
Max. total current of voltage supply	3 A
Rated insulation voltage	50 V
Rated surge voltage	0.5 kV (Functional insulation)

Supported controller universal

Suitable I/O card	universal
-------------------	-----------

Connection data

Supply

Connection in acc. with standard	IEC / EN
Connection method	Screw connection
Stripping length	8 mm
Screw thread	M3
Number of connections	1
Conductor cross section rigid	0.2 mm ² ... 4 mm ²
Conductor cross section flexible	0.2 mm ² ... 2.5 mm ²
Conductor cross section AWG	24 ... 12

Controller level

Connection method	D-SUB pin strip
Number of connections	1
Number of positions	15

Field level

Connection method	Plug-in connection
Note	Can be snapped onto 8x PLC-INTERFACE terminals

Signaling

PLC-V8/D15S/IN - System connection

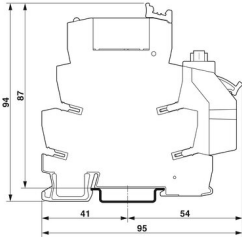


2296074

<https://www.phoenixcontact.com/in/products/2296074>

Status display	Green LED
Status display present	Yes

Dimensions

Dimensional drawing	
Width	50 mm
Height	39 mm
Depth	50 mm

Material specifications

Flammability rating according to UL 94	V0
Housing insulation material	Polyamide 6.6 green

Environmental and real-life conditions

Ambient conditions

Degree of protection	IP20
Ambient temperature (operation)	-40 °C ... 70 °C
Ambient temperature (storage/transport)	-40 °C ... 70 °C

Approvals

UL, USA/Canada

Identification	Class I, Div. 2, Groups A, B, C, D T4
----------------	---------------------------------------

UL, Canada

Identification	Class I, Zone 2, Ex nA IIC Gc T4 X
----------------	------------------------------------

UL, USA

Identification	Class I, Zone 2, AEx nA IIC T4
----------------	--------------------------------

Shipbuilding approval

Certificate	TAE0000196
-------------	------------

DNV GL data

Temperature	D
Humidity	A
Vibration	C
Enclosure	Required protection according to the Rules shall be provided upon installation on board

PLC-V8/D15S/IN - System connection



2296074

<https://www.phoenixcontact.com/in/products/2296074>

Standards and regulations

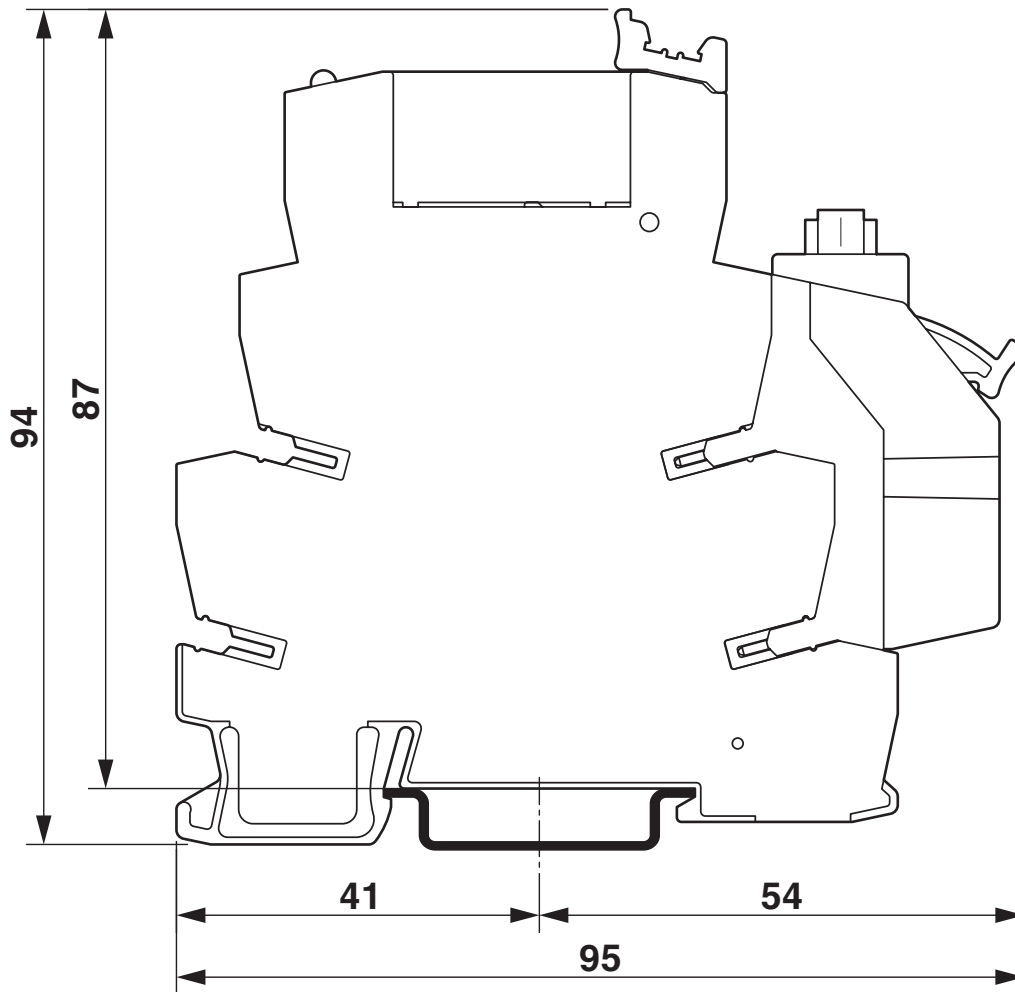
Standards/regulations	IEC 60664
	DIN EN 50178

Mounting

Mounting type	Plug-on assembly
Assembly instructions	in rows with zero spacing
Mounting position	any

Drawings

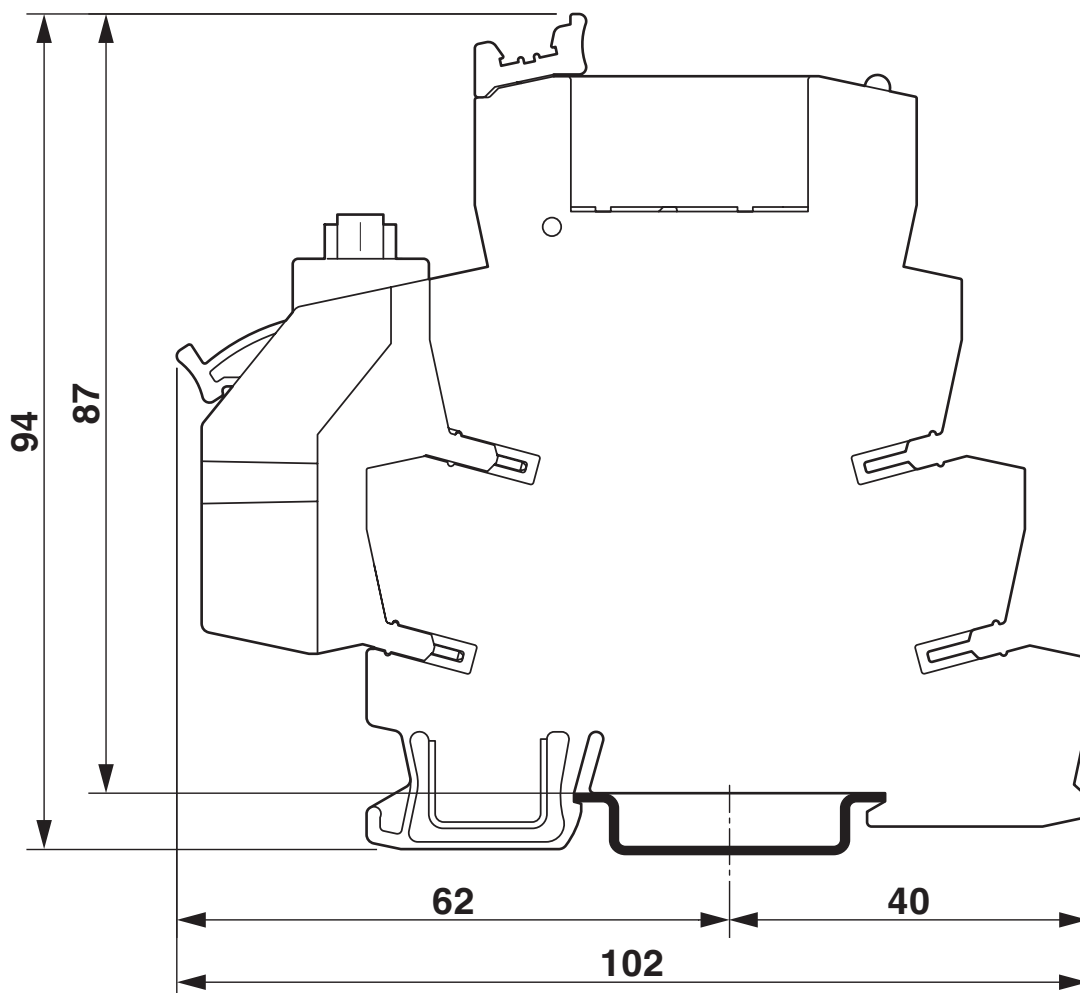
Dimensional drawing



2296074

<https://www.phoenixcontact.com/in/products/2296074>

Dimensional drawing

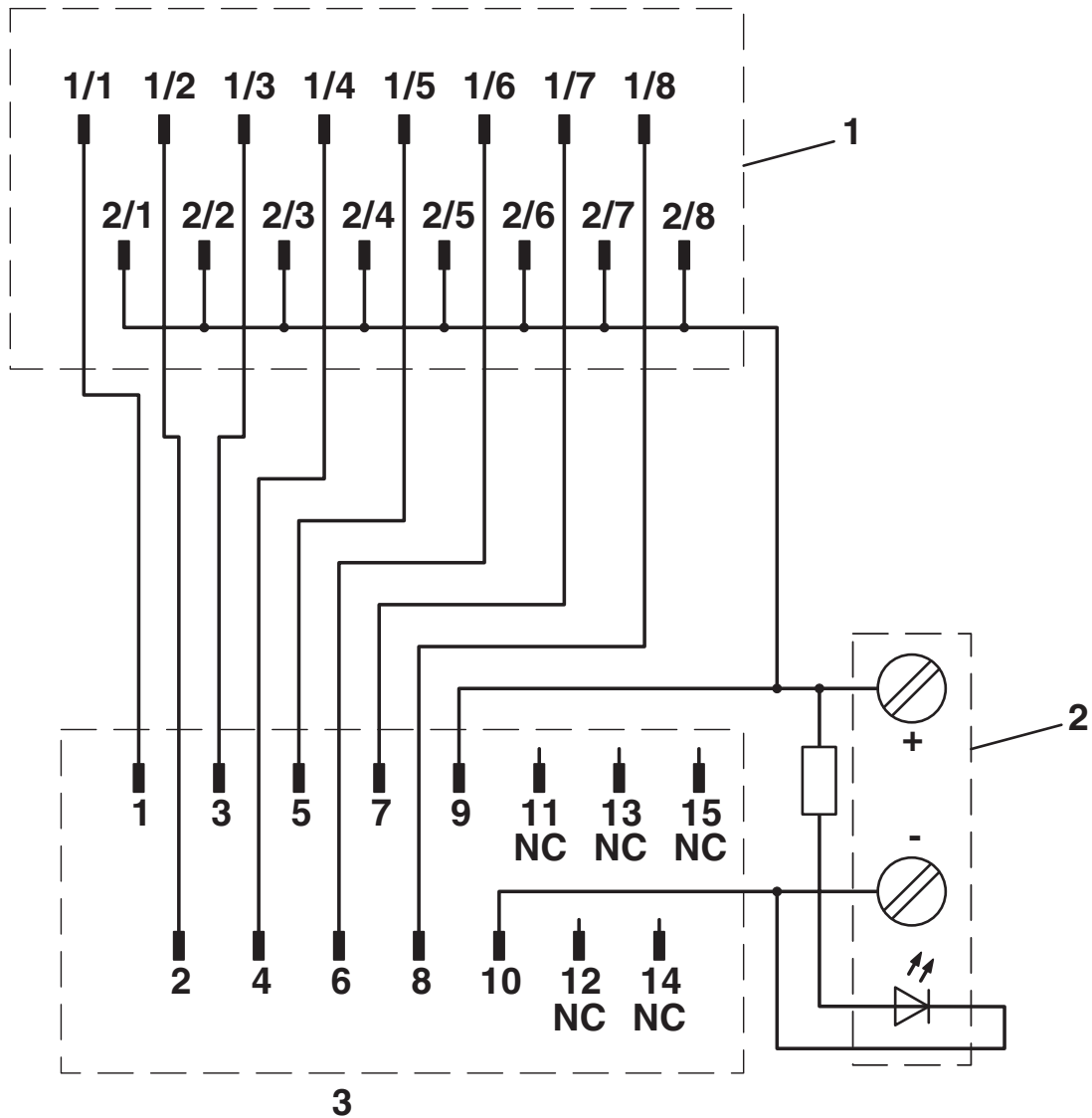


PLC-V8/D15S/IN - System connection

2296074

<https://www.phoenixcontact.com/in/products/2296074>

Circuit diagram



PLC-V8/D15S/IN - System connection




2296074

<https://www.phoenixcontact.com/in/products/2296074>


Approvals

 cUL Recognized Approval ID: FILE E 238705				
	Nominal Voltage U_N	Nominal Current I_N	Cross Section AWG	Cross Section mm^2
	24 V	1 A	-	-


 UL Recognized Approval ID: FILE E 238705				
	Nominal Voltage U_N	Nominal Current I_N	Cross Section AWG	Cross Section mm^2
	24 V	1 A	-	-


 DNV GL Approval ID: TAE0000196
--

 PRS Approval ID: TE/2109/880590/16
--

 UL Listed Approval ID: FILE E 172140
--

 cUL Listed Approval ID: FILE E 172140

 cUL Listed Approval ID: FILE E 199827

 UL Listed Approval ID: FILE E 199827
--

PLC-V8/D15S/IN - System connection



2296074

<https://www.phoenixcontact.com/in/products/2296074>

Classifications

ECLASS

ECLASS-11.0	27141152
ECLASS-13.0	27141152
ECLASS-12.0	27141152

ETIM

ETIM 8.0	EC002780
----------	----------

UNSPSC

UNSPSC 21.0	39121400
-------------	----------

PLC-V8/D15S/IN - System connection



2296074

<https://www.phoenixcontact.com/in/products/2296074>

Environmental Product Compliance

REACH SVHC	Lead 7439-92-1
	Hexahydromethylphthalic anhydride
China RoHS	Environmentally Friendly Use Period = 50 years
	For information on hazardous substances, refer to the manufacturer's declaration available under "Downloads"

PLC-V8/D15S/IN - System connection

2296074

<https://www.phoenixcontact.com/in/products/2296074>

Mandatory Accessories

PLC-RPT- 12DC/21AU - Relay Module

2900317

<https://www.phoenixcontact.com/in/products/2900317>



PLC-INTERFACE, consisting of PLC-BPT.../21 basic terminal block with Push-in connection and plug-in miniature relay with multi-layer gold contact, for mounting on DIN rail NS 35/7,5, 1 changeover contact, input voltage 12 V DC

PLC-RSC- 12DC/21AU - Relay Module

2966919

<https://www.phoenixcontact.com/in/products/2966919>



PLC-INTERFACE, consisting of PLC-BSC.../21 basic terminal block with screw connection and plug-in miniature relay with multi-layer gold contact, for mounting on DIN rail NS 35/7,5, 1 changeover contact, input voltage 12 V DC

PLC-V8/D15S/IN - System connection

2296074

<https://www.phoenixcontact.com/in/products/2296074>

PLC-RPT- 24DC/21AU - Relay Module

2900306

<https://www.phoenixcontact.com/in/products/2900306>



PLC-INTERFACE, consisting of PLC-BPT.../21 basic terminal block with Push-in connection and plug-in miniature relay with multi-layer gold contact, for mounting on DIN rail NS 35/7,5, 1 changeover contact, input voltage 24 V DC

PLC-RSC- 24DC/21AU - Relay Module

2966265

<https://www.phoenixcontact.com/in/products/2966265>



PLC-INTERFACE, consisting of PLC-BSC.../21 basic terminal block with screw connection and plug-in miniature relay with multi-layer gold contact, for mounting on DIN rail NS 35/7,5, 1 changeover contact, input voltage 24 V DC

PLC-V8/D15S/IN - System connection

2296074

<https://www.phoenixcontact.com/in/products/2296074>

PLC-RPT- 24UC/21AU - Relay Module

2900307

<https://www.phoenixcontact.com/in/products/2900307>



PLC-INTERFACE, consisting of PLC-BPT.../21 basic terminal block with Push-in connection and plug-in miniature relay with multi-layer gold contact, for mounting on DIN rail NS 35/7,5, 1 changeover contact, input voltage 24 V AC/DC

PLC-RSC- 24UC/21AU - Relay Module

2966278

<https://www.phoenixcontact.com/in/products/2966278>



PLC-INTERFACE, consisting of PLC-BSC.../21 basic terminal block with screw connection and plug-in miniature relay with multi-layer gold contact, for mounting on DIN rail NS 35/7,5, 1 changeover contact, input voltage 24 V AC/DC

PLC-V8/D15S/IN - System connection

2296074

<https://www.phoenixcontact.com/in/products/2296074>

PLC-RPT- 48DC/21AU - Relay Module

2900308

<https://www.phoenixcontact.com/in/products/2900308>



PLC-INTERFACE, consisting of PLC-BPT.../21 basic terminal block with Push-in connection and plug-in miniature relay with multi-layer gold contact, for mounting on DIN rail NS 35/7,5, 1 changeover contact, input voltage 48 V DC

PLC-RSC- 48DC/21AU - Relay Module

2966126

<https://www.phoenixcontact.com/in/products/2966126>



PLC-INTERFACE, consisting of PLC-BSC.../21 basic terminal block with screw connection and plug-in miniature relay with multi-layer gold contact, for mounting on DIN rail NS 35/7,5, 1 changeover contact, input voltage 48 V DC

PLC-V8/D15S/IN - System connection

2296074

<https://www.phoenixcontact.com/in/products/2296074>

PLC-RPT- 60DC/21AU - Relay Module

2900309

<https://www.phoenixcontact.com/in/products/2900309>



PLC-INTERFACE, consisting of PLC-BPT.../21 basic terminal block with Push-in connection and plug-in miniature relay with multi-layer gold contact, for mounting on DIN rail NS 35/7,5, 1 changeover contact, input voltage 60 V DC

PLC-RSC- 60DC/21AU - Relay Module

2966142

<https://www.phoenixcontact.com/in/products/2966142>



PLC-INTERFACE, consisting of PLC-BSC.../21 basic terminal block with screw connection and plug-in miniature relay with multi-layer gold contact, for mounting on DIN rail NS 35/7,5, 1 changeover contact, input voltage 60 V DC

PLC-V8/D15S/IN - System connection

2296074

<https://www.phoenixcontact.com/in/products/2296074>

PLC-RPT-120UC/21AU - Relay Module

2900310

<https://www.phoenixcontact.com/in/products/2900310>



PLC-INTERFACE, consisting of PLC-BPT.../21 basic terminal block with Push-in connection and plug-in miniature relay with multi-layer gold contact, for mounting on DIN rail NS 35/7,5, 1 changeover contact, input voltage 120 V AC/110 V DC

PLC-RSC-120UC/21AU - Relay Module

2966281

<https://www.phoenixcontact.com/in/products/2966281>



PLC-INTERFACE, consisting of PLC-BSC.../21 basic terminal block with screw connection and plug-in miniature relay with multi-layer gold contact, for mounting on DIN rail NS 35/7,5, 1 changeover contact, input voltage 120 V AC/110 V DC

PLC-V8/D15S/IN - System connection

2296074

<https://www.phoenixcontact.com/in/products/2296074>

PLC-RPT-230UC/21AU - Relay Module

2900311

<https://www.phoenixcontact.com/in/products/2900311>



PLC-INTERFACE, consisting of PLC-BPT.../21 basic terminal block with Push-in connection and plug-in miniature relay with multi-layer gold contact, for mounting on DIN rail NS 35/7,5, 1 changeover contact, input voltage 230 V AC/220 V DC

PLC-RSC-230UC/21AU - Relay Module

2966294

<https://www.phoenixcontact.com/in/products/2966294>



PLC-INTERFACE, consisting of PLC-BSC.../21 basic terminal block with screw connection and plug-in miniature relay with multi-layer gold contact, for mounting on DIN rail NS 35/7,5, 1 changeover contact, input voltage 230 V AC/220 V DC

PLC-V8/D15S/IN - System connection

2296074

<https://www.phoenixcontact.com/in/products/2296074>

PLC-BPT-120UC/21/SO46 - Relay base

2900453

<https://www.phoenixcontact.com/in/products/2900453>



6.2 mm PLC basic terminal block against interference currents/voltages on the control side with Push-in connection, without relay or solid-state relay, for mounting on DIN rail NS 35/7,5, with integrated RCZ filter, 1 changeover contact, input voltage 120 V AC

PLC-BSC-120UC/21/SO46 - Relay base

2980319

<https://www.phoenixcontact.com/in/products/2980319>



6.2 mm PLC basic terminal block with protection against interference currents/voltages on the control side, with screw connection, without relay or solid-state relay, for mounting on DIN rail NS 35/7,5, with integrated RCZ filter, 1 changeover contact, input voltage 120 V AC

PLC-V8/D15S/IN - System connection

2296074

<https://www.phoenixcontact.com/in/products/2296074>

PLC-BPT-230UC/21/SO46 - Relay base

2900455

<https://www.phoenixcontact.com/in/products/2900455>



6.2 mm PLC basic terminal block against interference currents/voltages on the control side with Push-in connection, without relay or solid-state relay, for mounting on DIN rail NS 35/7,5, with integrated RCZ filter, 1 changeover contact, input voltage 230 V AC

PLC-BSC-230UC/21/SO46 - Relay base

2980335

<https://www.phoenixcontact.com/in/products/2980335>



6.2 mm PLC basic terminal block with protection against interference currents/voltages on the control side, with screw connection, without relay or solid-state relay, for mounting on DIN rail NS 35/7,5, with integrated RCZ filter, 1 changeover contact, input voltage 230 V AC

PLC-V8/D15S/IN - System connection

2296074

<https://www.phoenixcontact.com/in/products/2296074>

PLC-OPT- 24DC/ 48DC/100 - Solid-state relay module

2900352

<https://www.phoenixcontact.com/in/products/2900352>



PLC-INTERFACE, consisting of PLC-BPT.../21 basic terminal block with push-in connection and plug-in miniature solid-state relay, for mounting on DIN rail NS 35/7,5, 1 N/O contact, input: 24 V DC, output: 3 - 48 V DC/100 mA

PLC-OSC- 24DC/ 48DC/100 - Solid-state relay module

2966728

<https://www.phoenixcontact.com/in/products/2966728>



PLC-INTERFACE, consisting of PLC-BSC.../21 basic terminal block with screw connection and plug-in miniature solid-state relay, for mounting on DIN rail NS 35/7,5, 1 N/O contact, input: 24 V DC, output: 3 - 48 V DC/100 mA

PLC-V8/D15S/IN - System connection

2296074

<https://www.phoenixcontact.com/in/products/2296074>

PLC-OPT- 48DC/ 48DC/100 - Solid-state relay module

2900353

<https://www.phoenixcontact.com/in/products/2900353>



PLC-INTERFACE, consisting of PLC-BPT.../21 basic terminal block with push-in connection and plug-in miniature solid-state relay, for mounting on DIN rail NS 35/7,5, 1 N/O contact, input: 48 V DC, output: 3 - 48 V DC/100 mA

PLC-OSC- 48DC/ 48DC/100 - Solid-state relay module

2966993

<https://www.phoenixcontact.com/in/products/2966993>



PLC-INTERFACE, consisting of PLC-BSC.../21 basic terminal block with screw connection and plug-in miniature solid-state relay, for mounting on DIN rail NS 35/7,5, 1 N/O contact, input: 48 V DC, output: 3 - 48 V DC/100 mA

PLC-V8/D15S/IN - System connection

2296074

<https://www.phoenixcontact.com/in/products/2296074>

PLC-OPT- 60DC/ 48DC/100 - Solid-state relay module

2900354

<https://www.phoenixcontact.com/in/products/2900354>



PLC-INTERFACE, consisting of PLC-BPT.../21 basic terminal block with push-in connection and plug-in miniature solid-state relay, for mounting on DIN rail NS 35/7,5, 1 N/O contact, input: 60 V DC, output: 3 - 48 V DC/100 mA

PLC-OSC- 60DC/ 48DC/100 - Solid-state relay module

2967455

<https://www.phoenixcontact.com/in/products/2967455>



PLC-INTERFACE, consisting of PLC-BSC.../21 basic terminal block with screw connection and plug-in miniature solid-state relay, for mounting on DIN rail NS 35/7,5, 1 N/O contact, input: 60 V DC, output: 3 - 48 V DC/100 mA

PLC-V8/D15S/IN - System connection

2296074

<https://www.phoenixcontact.com/in/products/2296074>

PLC-OPT-120UC/ 48DC/100 - Solid-state relay module

2900355

<https://www.phoenixcontact.com/in/products/2900355>



PLC-INTERFACE, consisting of PLC-BPT.../21 basic terminal block with push-in connection and plug-in miniature solid-state relay, for mounting on DIN rail NS 35/7,5, 1 N/O contact, input: 120 V AC/110 V DC, output: 3 - 48 V DC/100 mA

PLC-OSC-120UC/ 48DC/100 - Solid-state relay module

2966744

<https://www.phoenixcontact.com/in/products/2966744>



PLC-INTERFACE, consisting of PLC-BSC.../21 basic terminal block with screw connection and plug-in miniature solid-state relay, for mounting on DIN rail NS 35/7,5, 1 N/O contact, input: 120 V AC/110 V DC, output: 3 - 48 V DC/100 mA

PLC-V8/D15S/IN - System connection

2296074

<https://www.phoenixcontact.com/in/products/2296074>

PLC-OPT-230UC/ 48DC/100 - Solid-state relay module

2900356

<https://www.phoenixcontact.com/in/products/2900356>



PLC-INTERFACE, consisting of PLC-BPT.../21 basic terminal block with push-in connection and plug-in miniature solid-state relay, for mounting on DIN rail NS 35/7,5, 1 N/O contact, input: 230 V AC/220 V DC, output: 3 - 48 V DC/100 mA

PLC-OSC-230UC/ 48DC/100 - Solid-state relay module

2966757

<https://www.phoenixcontact.com/in/products/2966757>



PLC-INTERFACE, consisting of PLC-BSC.../21 basic terminal block with screw connection and plug-in miniature solid-state relay, for mounting on DIN rail NS 35/7,5, 1 N/O contact, input: 230 V AC/220 V DC, output: 3 - 48 V DC/100 mA

PLC-V8/D15S/IN - System connection

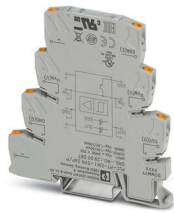
2296074

<https://www.phoenixcontact.com/in/products/2296074>

PLC-PT-EIK 1-SVN 24P/P - Solid-state relay module

2900397

<https://www.phoenixcontact.com/in/products/2900397>



PLC-INTERFACE for NAMUR applications, consisting of PLC-BPT.../21 basic terminal block with Push-in connection and integrated circuit, for mounting on NS 35/7,5 DIN rail, positive switching output, 24 V DC supply voltage

PLC-SC-EIK 1-SVN 24P/P - Solid-state relay module

2982663

<https://www.phoenixcontact.com/in/products/2982663>



PLC-INTERFACE for NAMUR applications, consisting of PLC-BSC.../21 basic terminal block with screw connection and integrated circuit, for mounting on NS 35/7,5 DIN rail, positive switching output, 24 V DC supply voltage

PLC-V8/D15S/IN - System connection

2296074

<https://www.phoenixcontact.com/in/products/2296074>

PLC-VT - Feed-through terminal block

2296870

<https://www.phoenixcontact.com/in/products/2296870>



VARIOFACE feed-through terminal block (2-conductor screw connection), for PLC-INTERFACE universal series

PLC-VT/LA - Feed-through terminal block

2296854

<https://www.phoenixcontact.com/in/products/2296854>



VARIOFACE feed-through terminal block (2-conductor screw connection), for PLC-INTERFACE universal series, with 24 V DC LED display

PLC-V8/D15S/IN - System connection

2296074

<https://www.phoenixcontact.com/in/products/2296074>

PLC-RPT- 24DC/ 1AU/SEN - Relay Module

2900313

<https://www.phoenixcontact.com/in/products/2900313>



PLC-INTERFACE for input functions, consisting of PLC-BPT.../SEN basic terminal block with push-in connection and plug-in miniature relay with multi-layer gold contact, for mounting on DIN rail NS 35/7,5, 1 N/O contact, input voltage 24 V DC

PLC-RSC- 24DC/ 1AU/SEN - Relay Module

2966317

<https://www.phoenixcontact.com/in/products/2966317>



PLC-INTERFACE for input functions, consisting of PLC-BSC.../SEN basic terminal block with screw connection and plug-in miniature relay with multi-layer gold contact, for mounting on DIN rail NS 35/7,5, 1 N/O contact, input voltage 24 V DC

PLC-V8/D15S/IN - System connection

2296074

<https://www.phoenixcontact.com/in/products/2296074>

PLC-RPT-120UC/ 1AU/SEN - Relay Module

2900314

<https://www.phoenixcontact.com/in/products/2900314>



PLC-INTERFACE for input functions, consisting of PLC-BPT.../SEN basic terminal block with push-in connection and plug-in miniature relay with multi-layer gold contact, for mounting on DIN rail NS 35/7,5, 1 N/O contact, input voltage 120 V AC/110 V DC

PLC-RSC-120UC/ 1AU/SEN - Relay Module

2966320

<https://www.phoenixcontact.com/in/products/2966320>



PLC-INTERFACE for input functions, consisting of PLC-BSC.../SEN basic terminal block with screw connection and plug-in miniature relay with multi-layer gold contact, for mounting on DIN rail NS 35/7,5, 1 N/O contact, input voltage 120 V AC/110 V DC

PLC-V8/D15S/IN - System connection

2296074

<https://www.phoenixcontact.com/in/products/2296074>

PLC-RPT-230UC/ 1AU/SEN - Relay Module

2900315

<https://www.phoenixcontact.com/in/products/2900315>



PLC-INTERFACE for input functions, consisting of PLC-BPT.../SEN basic terminal block with push-in connection and plug-in miniature relay with multi-layer gold contact, for mounting on DIN rail NS 35/7,5, 1 N/O contact, input voltage 230 V AC/220 V DC

PLC-RSC-230UC/ 1AU/SEN - Relay Module

2966333

<https://www.phoenixcontact.com/in/products/2966333>



PLC-INTERFACE for input functions, consisting of PLC-BSC.../SEN basic terminal block with screw connection and plug-in miniature relay with multi-layer gold contact, for mounting on DIN rail NS 35/7,5, 1 N/O contact, input voltage 230 V AC/220 V DC

PLC-V8/D15S/IN - System connection



2296074

<https://www.phoenixcontact.com/in/products/2296074>

PLC-BPT-120UC/ 1/SEN/SO46 - Relay base

2900456

<https://www.phoenixcontact.com/in/products/2900456>



6.2 mm PLC basic terminal block with interference current and interference voltage protection on the control side, with push-in connection, without relay or solid-state relay, with sensor supply voltage distribution (BB), 1 N/O contact, input voltage 120 V AC

PLC-BSC-120UC/ 1/SEN/SO46 - Relay base

2980322

<https://www.phoenixcontact.com/in/products/2980322>



6.2 mm PLC basic terminal block with interference current and interference voltage protection on the control side, with screw connection, without relay or solid-state relay, with sensor supply voltage distribution (BB), 1 N/O contact, input voltage 120 V AC

PLC-V8/D15S/IN - System connection



2296074

<https://www.phoenixcontact.com/in/products/2296074>

PLC-BPT-230UC/ 1/SEN/SO46 - Relay base

2900457

<https://www.phoenixcontact.com/in/products/2900457>



6.2 mm PLC basic terminal block with interference current and interference voltage protection on the control side, with push-in connection, without relay or solid-state relay, with sensor supply voltage distribution (BB), 1 N/O contact, input voltage 230 V AC

PLC-BSC-230UC/ 1/SEN/SO46 - Relay base

2980348

<https://www.phoenixcontact.com/in/products/2980348>



6.2 mm PLC basic terminal block with interference current and interference voltage protection on the control side, with screw connection, without relay or solid-state relay, with sensor supply voltage distribution (BB), 1 N/O contact, input voltage 230 V AC

PLC-V8/D15S/IN - System connection

2296074

<https://www.phoenixcontact.com/in/products/2296074>

PLC-OPT- 24DC/ 48DC/100/SEN - Solid-state relay module

2900358

<https://www.phoenixcontact.com/in/products/2900358>



PLC-INTERFACE for input functions, consisting of PLC-BPT.../SEN basic terminal block with push-in connection and plug-in miniature solid-state relay, for mounting on DIN rail NS 35/7,5, 1 N/O contact, input: 24 V DC, output: 3 - 48 V DC/100 mA

PLC-OSC- 24DC/ 48DC/100/SEN - Solid-state relay module

2966773

<https://www.phoenixcontact.com/in/products/2966773>



PLC-INTERFACE for input functions, consisting of PLC-BSC.../SEN basic terminal block with screw connection and plug-in miniature solid-state relay, for mounting on DIN rail NS 35/7,5, 1 N/O contact, input: 24 V DC, output: 3 - 48 V DC/100 mA

PLC-V8/D15S/IN - System connection

2296074

<https://www.phoenixcontact.com/in/products/2296074>

PLC-OPT-120UC/ 48DC/100/SEN - Solid-state relay module

2900359

<https://www.phoenixcontact.com/in/products/2900359>



PLC-INTERFACE for input functions, consisting of PLC-BPT.../SEN basic terminal block with push-in connection and plug-in miniature solid-state relay, for mounting on DIN rail NS 35/7,5, 1 N/O contact, input: 120 V AC/110 V DC, output: 3 - 48 V DC/100 mA

PLC-OSC-120UC/ 48DC/100/SEN - Solid-state relay module

2966799

<https://www.phoenixcontact.com/in/products/2966799>



PLC-INTERFACE for input functions, consisting of PLC-BSC.../SEN basic terminal block with screw connection and plug-in miniature solid-state relay, for mounting on DIN rail NS 35/7,5, 1 N/O contact, input: 120 V AC/110 V DC, output: 3 - 48 V DC/100 mA

PLC-V8/D15S/IN - System connection



2296074

<https://www.phoenixcontact.com/in/products/2296074>

PLC-OPT-230UC/ 48DC/100/SEN - Solid-state relay module

2900361

<https://www.phoenixcontact.com/in/products/2900361>



PLC-INTERFACE for input functions, consisting of PLC-BPT.../SEN basic terminal block with push-in connection and plug-in miniature solid-state relay, for mounting on DIN rail NS 35/7,5, 1 N/O contact, input: 230 V AC/220 V DC, output: 3 - 48 V DC/100 mA

PLC-OSC-230UC/ 48DC/100/SEN - Solid-state relay module

2966809

<https://www.phoenixcontact.com/in/products/2966809>



PLC-INTERFACE for input functions, consisting of PLC-BSC.../SEN basic terminal block with screw connection and plug-in miniature solid-state relay, for mounting on DIN rail NS 35/7,5, 1 N/O contact, input: 230 V AC/220 V DC, output: 3 - 48 V DC/100 mA

Phoenix Contact 2023 © - all rights reserved
<https://www.phoenixcontact.com>

PHOENIX CONTACT (I) Pvt. Ltd.
A-58/2, Okhla Industrial Area, Phase - II, New Delhi-110 020

+91.1275.71420
info@phoenixcontact.co.in