

PLC-V8/D15S/OUT - System connection



2296058

<https://www.phoenixcontact.com/in/products/2296058>

Please be informed that the data shown in this PDF document is generated from our Online Catalog. Please find the complete data in the user documentation. Our General Terms of Use for Downloads are valid.



V8 adapter for 8 x PLC-INTERFACE (6.2 mm), controller: PLC system cabling of output cards, connection 1: Screw connection 1x, connection 2: D-SUB pin strip 1x 15-position, connection 3: Plug-in connection (Can be snapped onto 8x PLC-INTERFACE terminals), number of channels: 8, control logic: plusschaltend

Commercial Data

Item number	2296058
Packing unit	1 pc
Minimum order quantity	1 pc
Sales Key	CK2
Product Key	CK21C2
Catalog Page	Page 427 (C-5-2019)
GTIN	4017918189105
Weight per Piece (including packing)	109.8 g
Weight per Piece (excluding packing)	50 g
Customs tariff number	85369010
Country of origin	DE

Technical Data

Product properties

Product type	Interface module
Product family	PLC-INTERFACE
Number of positions	15
No. of channels	8

Insulation characteristics

Overvoltage category	II
Pollution degree	2

Electrical properties

No. of channels	8
Max. permissible operating voltage	30 V DC
Nominal voltage U_N	24 V DC
Max. current carrying capacity per branch	1 A (per signal path)
Max. total current of voltage supply	3 A
Rated insulation voltage	50 V
Rated surge voltage	0.5 kV (Functional insulation)

Supported controller universal

Suitable I/O card	universal
-------------------	-----------

Connection data

Supply

Connection in acc. with standard	IEC / EN
Connection method	Screw connection
Stripping length	8 mm
Screw thread	M3
Number of connections	1
Conductor cross section rigid	0.2 mm ² ... 4 mm ²
Conductor cross section flexible	0.2 mm ² ... 2.5 mm ²
Conductor cross section AWG	24 ... 12

Controller level

Connection method	D-SUB pin strip
Number of connections	1
Number of positions	15

Field level

Connection method	Plug-in connection
Note	Can be snapped onto 8x PLC-INTERFACE terminals

Signaling

PLC-V8/D15S/OUT - System connection

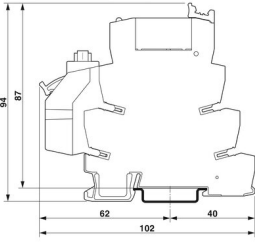


2296058

<https://www.phoenixcontact.com/in/products/2296058>

Status display	Green LED
Status display present	Yes

Dimensions

Dimensional drawing	
Width	50 mm
Height	39 mm
Depth	50 mm

Material specifications

Flammability rating according to UL 94	V0
Housing insulation material	Polyamide 6.6 green

Environmental and real-life conditions

Ambient conditions

Degree of protection	IP20
Ambient temperature (operation)	-40 °C ... 70 °C
Ambient temperature (storage/transport)	-40 °C ... 70 °C

Approvals

UL, USA/Canada

Identification	Class I, Div. 2, Groups A, B, C, D T4
----------------	---------------------------------------

UL, Canada

Identification	Class I, Zone 2, Ex nA IIC Gc T4 X
----------------	------------------------------------

UL, USA

Identification	Class I, Zone 2, AEx nA IIC T4
----------------	--------------------------------

Shipbuilding approval

Certificate	TAE0000196
-------------	------------

DNV GL data

Temperature	D
Humidity	A
Vibration	C
Enclosure	Required protection according to the Rules shall be provided upon installation on board

PLC-V8/D15S/OUT - System connection



2296058

<https://www.phoenixcontact.com/in/products/2296058>

Standards and regulations

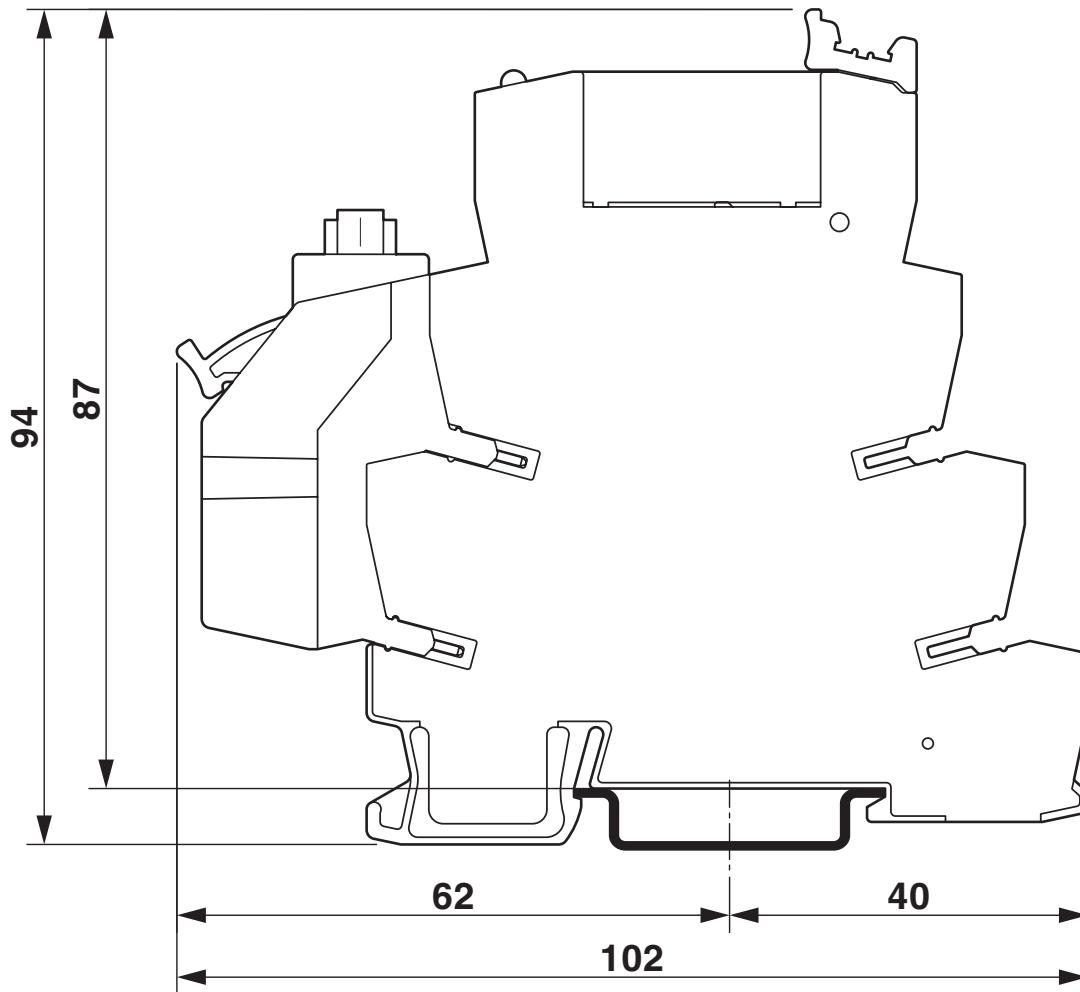
Standards/regulations	IEC 60664
	DIN EN 50178

Mounting

Mounting type	Plug-on assembly
Assembly instructions	in rows with zero spacing
Mounting position	any

Drawings

Dimensional drawing

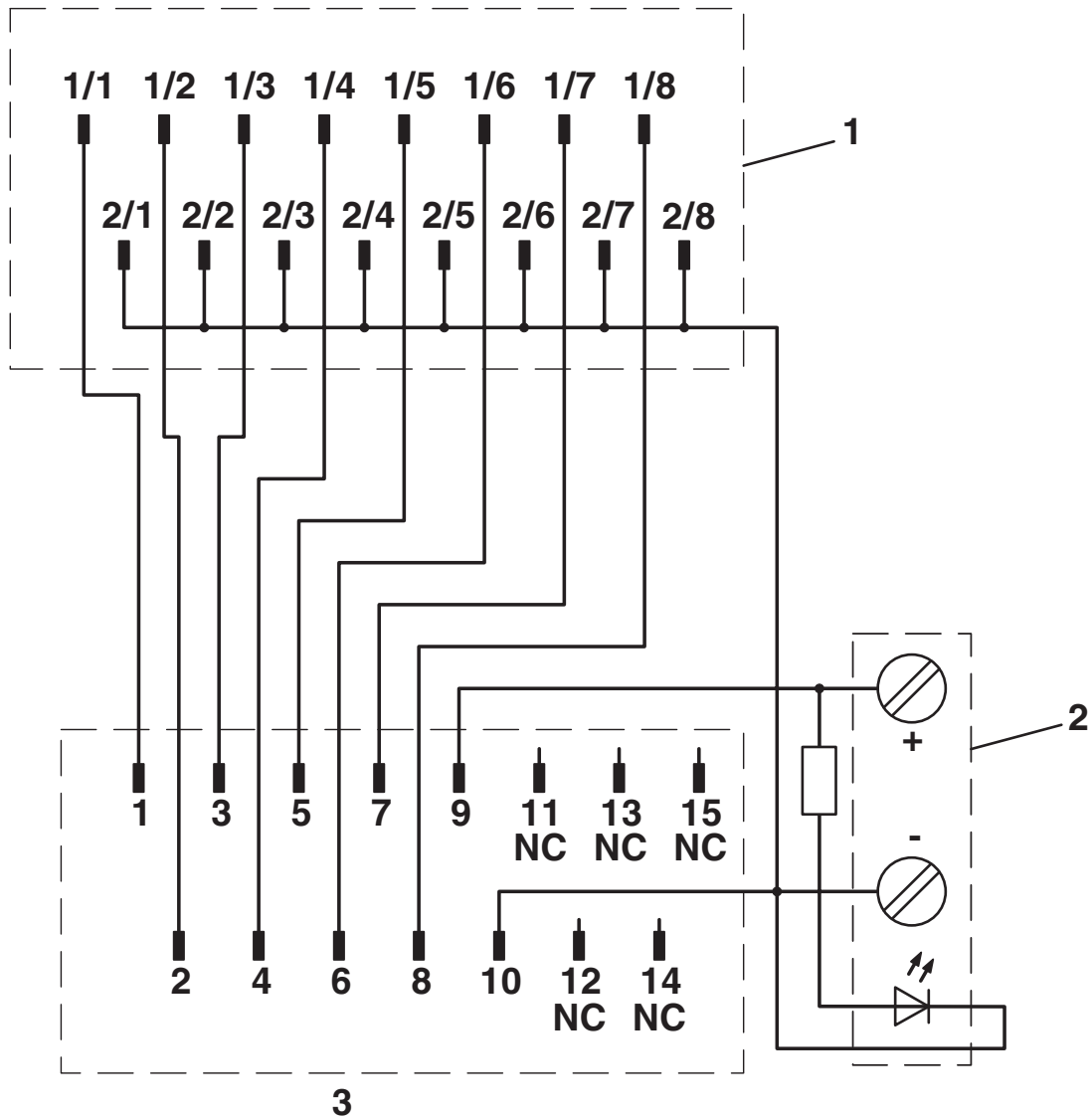


PLC-V8/D15S/OUT - System connection

2296058

<https://www.phoenixcontact.com/in/products/2296058>

Circuit diagram



PLC-V8/D15S/OUT - System connection




2296058


<https://www.phoenixcontact.com/in/products/2296058>


Approvals


	cUL Recognized Approval ID: FILE E 238705				
	Nominal Voltage U_N	Nominal Current I_N	Cross Section AWG	Cross Section mm^2	
	24 V	1 A	-	-	


	UL Recognized Approval ID: FILE E 238705				
	Nominal Voltage U_N	Nominal Current I_N	Cross Section AWG	Cross Section mm^2	
	24 V	1 A	-	-	


	DNV GL Approval ID: TAE0000196				
---	--	--	--	--	--

	PRS Approval ID: TE/2109/880590/16				
---	--	--	--	--	--

	UL Listed Approval ID: FILE E 172140				
---	--	--	--	--	--

	cUL Listed Approval ID: FILE E 172140				
---	---	--	--	--	--

	cUL Listed Approval ID: FILE E 199827				
---	---	--	--	--	--

	UL Listed Approval ID: FILE E 199827				
---	--	--	--	--	--

2296058

<https://www.phoenixcontact.com/in/products/2296058>

Classifications

ECLASS

ECLASS-11.0	27141152
ECLASS-12.0	27141152
ECLASS-13.0	27141152

ETIM

ETIM 8.0	EC002780
----------	----------

UNSPSC

UNSPSC 21.0	39121400
-------------	----------

PLC-V8/D15S/OUT - System connection



2296058

<https://www.phoenixcontact.com/in/products/2296058>

Environmental Product Compliance

REACH SVHC	Lead 7439-92-1
	Hexahydromethylphthalic anhydride
China RoHS	Environmentally Friendly Use Period = 50 years
	For information on hazardous substances, refer to the manufacturer's declaration available under "Downloads"

PLC-V8/D15S/OUT - System connection

2296058

<https://www.phoenixcontact.com/in/products/2296058>

Mandatory Accessories

PLC-RPT- 24DC/21 - Relay Module

2900299

<https://www.phoenixcontact.com/in/products/2900299>



PLC-INTERFACE, consisting of PLC-BPT.../21 basic terminal block with Push-in connection and plug-in miniature relay with power contact, for mounting on NS 35/7,5 DIN rail, 1 changeover contact, input voltage 24 V DC

PLC-RSC- 24DC/21 - Relay Module

2966171

<https://www.phoenixcontact.com/in/products/2966171>



PLC-INTERFACE, consisting of basic terminal block PLC-BSC.../21 with screw connection and plug-in miniature relay with power contact, for assembly on DIN rail NS 35/7,5, 1 changeover contact, input voltage 24 V DC

PLC-V8/D15S/OUT - System connection

2296058

<https://www.phoenixcontact.com/in/products/2296058>

PLC-RPT- 24DC/21AU - Relay Module

2900306

<https://www.phoenixcontact.com/in/products/2900306>



PLC-INTERFACE, consisting of PLC-BPT.../21 basic terminal block with Push-in connection and plug-in miniature relay with multi-layer gold contact, for mounting on DIN rail NS 35/7,5, 1 changeover contact, input voltage 24 V DC

PLC-RSC- 24DC/21AU - Relay Module

2966265

<https://www.phoenixcontact.com/in/products/2966265>



PLC-INTERFACE, consisting of PLC-BSC.../21 basic terminal block with screw connection and plug-in miniature relay with multi-layer gold contact, for mounting on DIN rail NS 35/7,5, 1 changeover contact, input voltage 24 V DC

PLC-V8/D15S/OUT - System connection

2296058

<https://www.phoenixcontact.com/in/products/2296058>

PLC-RPT- 24UC/21AU - Relay Module

2900307

<https://www.phoenixcontact.com/in/products/2900307>



PLC-INTERFACE, consisting of PLC-BPT.../21 basic terminal block with Push-in connection and plug-in miniature relay with multi-layer gold contact, for mounting on DIN rail NS 35/7,5, 1 changeover contact, input voltage 24 V AC/DC

PLC-RSC- 24UC/21AU - Relay Module

2966278

<https://www.phoenixcontact.com/in/products/2966278>



PLC-INTERFACE, consisting of PLC-BSC.../21 basic terminal block with screw connection and plug-in miniature relay with multi-layer gold contact, for mounting on DIN rail NS 35/7,5, 1 changeover contact, input voltage 24 V AC/DC

PLC-V8/D15S/OUT - System connection

2296058

<https://www.phoenixcontact.com/in/products/2296058>

PLC-RPT- 24UC/ 1/S/H - Switch

2900328

<https://www.phoenixcontact.com/in/products/2900328>



PLC-INTERFACE with switch (operation by hand) and integrated power contact relay for the "Manual, Zero and Automatic" functions, with push-in connection, for mounting on DIN rail NS 35/7.5, one N/O contact, input voltage 24 V AC/DC

PLC-RSC- 24UC/ 1/S/H - Switch

2982236

<https://www.phoenixcontact.com/in/products/2982236>



PLC-INTERFACE with switch (operation by hand) for the "Manual, Zero, and Automatic" functions, with screw connection and integrated power contact relay, for mounting on DIN rail NS 35/7,5, 1 N/O contact, input voltage 24 V AC/DC

PLC-V8/D15S/OUT - System connection

2296058

<https://www.phoenixcontact.com/in/products/2296058>

PLC-OPT- 24DC/ 24DC/2 - Solid-state relay module

2900364

<https://www.phoenixcontact.com/in/products/2900364>



PLC-INTERFACE, consisting of PLC-BPT.../21 basic terminal block with push-in connection and plug-in miniature solid-state relay, for mounting on DIN rail NS 35/7,5, 1 N/O contact, input: 24 V DC, output: 3 - 33 V DC/3 A

PLC-OSC- 24DC/ 24DC/ 2 - Solid-state relay module

2966634

<https://www.phoenixcontact.com/in/products/2966634>



PLC-INTERFACE, consisting of PLC-BSC.../21 basic terminal block with screw connection and plug-in miniature solid-state relay, for mounting on DIN rail NS 35/7,5, 1 N/O contact, input: 24 V DC, output: 3 - 33 V DC/3 A

PLC-V8/D15S/OUT - System connection

2296058

<https://www.phoenixcontact.com/in/products/2296058>

PLC-OPT- 24DC/ 24DC/10/R - Solid-state relay module

2900398

<https://www.phoenixcontact.com/in/products/2900398>

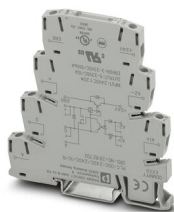


PLC-INTERFACE with confirmation contact, consisting of basic terminal block with push-in connection and integrated miniature solid-state relay, for mounting on DIN rail NS 35/7,5, 1 N/O contact, input: 24 V DC, output: 3 - 33 V DC/10 A

PLC-OSC- 24DC/ 24DC/ 10/R - Solid-state relay module

2982702

<https://www.phoenixcontact.com/in/products/2982702>



PLC-INTERFACE with checkback contact, consisting of basic terminal block with screw connection and integrated miniature solid-state relay, for mounting on DIN rail NS 35/7,5, 1 N/O contact, input: 24 V DC, output: 3 ... 33 V DC/10 A

PLC-V8/D15S/OUT - System connection

2296058

<https://www.phoenixcontact.com/in/products/2296058>

PLC-OPT- 24DC/230AC/1 - Solid-state relay module

2900369

<https://www.phoenixcontact.com/in/products/2900369>



PLC-INTERFACE, consisting of PLC-BPT.../21 basic terminal block with push-in connection and plug-in miniature solid-state relay, for mounting on DIN rail NS 35/7,5, 1 N/O contact, input: 24 V DC, output: 24 - 253 V AC/0.75 A

PLC-OSC- 24DC/230AC/ 1 - Solid-state relay module

2967840

<https://www.phoenixcontact.com/in/products/2967840>



PLC-INTERFACE, consisting of PLC-BSC.../21 basic terminal block with screw connection and plug-in miniature solid-state relay, for mounting on DIN rail NS 35/7,5, 1 N/O contact, input: 24 V DC, output: 24 - 253 V AC/0.75 A

PLC-V8/D15S/OUT - System connection

2296058

<https://www.phoenixcontact.com/in/products/2296058>

PLC-OPT- 24DC/300DC/1 - Solid-state relay module

2900383

<https://www.phoenixcontact.com/in/products/2900383>

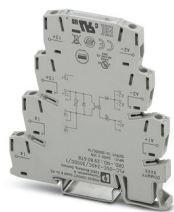


PLC-INTERFACE, integrated solid-state relay, with push-in connection, for mounting on NS 35/7,5 DIN rails, input: 24 V DC, output: 12 - 300 V DC/1 A

PLC-OSC- 24DC/300DC/ 1 - Solid-state relay module

2980678

<https://www.phoenixcontact.com/in/products/2980678>



PLC-INTERFACE, integrated solid-state relay, with screw connection, for mounting on NS 35/7,5 DIN rails, input: 24 V DC, output: 12 - 300 V DC/1 A

PLC-V8/D15S/OUT - System connection

2296058

<https://www.phoenixcontact.com/in/products/2296058>

PLC-OPT- 24DC/ 48DC/100 - Solid-state relay module

2900352

<https://www.phoenixcontact.com/in/products/2900352>



PLC-INTERFACE, consisting of PLC-BPT.../21 basic terminal block with push-in connection and plug-in miniature solid-state relay, for mounting on DIN rail NS 35/7,5, 1 N/O contact, input: 24 V DC, output: 3 - 48 V DC/100 mA

PLC-OSC- 24DC/ 48DC/100 - Solid-state relay module

2966728

<https://www.phoenixcontact.com/in/products/2966728>



PLC-INTERFACE, consisting of PLC-BSC.../21 basic terminal block with screw connection and plug-in miniature solid-state relay, for mounting on DIN rail NS 35/7,5, 1 N/O contact, input: 24 V DC, output: 3 - 48 V DC/100 mA

PLC-V8/D15S/OUT - System connection

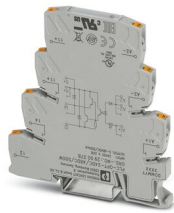
2296058

<https://www.phoenixcontact.com/in/products/2296058>

PLC-OPT- 24DC/ 48DC/500/W - Solid-state relay module

2900378

<https://www.phoenixcontact.com/in/products/2900378>

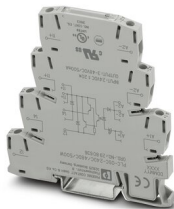


PLC-INTERFACE with electronic changeover contact, consisting of PLC-BPT.../21 basic terminal block with Push-in connection and integrated miniature solid-state relay, for mounting on DIN rail NS 35/7,5, 1 changeover contact, input: 24 V DC, output: 3-48 V DC/500 mA

PLC-OSC- 24DC/ 48DC/500/W - Solid-state relay module

2980636

<https://www.phoenixcontact.com/in/products/2980636>



PLC-INTERFACE with electronic changeover contact, consisting of PLC-BSC.../21 basic terminal block with screw connection and integrated miniature solid-state relay, for mounting on NS 35/7,5 DIN rail, 1 changeover contact, input: 24 V DC, output: 3 V DC ... 48 V DC/500 mA

PLC-V8/D15S/OUT - System connection

2296058

<https://www.phoenixcontact.com/in/products/2296058>

PLC-VT - Feed-through terminal block

2296870

<https://www.phoenixcontact.com/in/products/2296870>



VARIOFACE feed-through terminal block (2-conductor screw connection), for PLC-INTERFACE universal series

PLC-VT/LA - Feed-through terminal block

2296854

<https://www.phoenixcontact.com/in/products/2296854>



VARIOFACE feed-through terminal block (2-conductor screw connection), for PLC-INTERFACE universal series, with 24 V DC LED display

PLC-V8/D15S/OUT - System connection

2296058

<https://www.phoenixcontact.com/in/products/2296058>

PLC-RPT- 24DC/ 1/ACT - Relay Module

2900312

<https://www.phoenixcontact.com/in/products/2900312>



PLC-INTERFACE for output functions, consisting of PLC-BPT.../ACT basic terminal block with push-in connection and plug-in miniature relay with power contact, for mounting on DIN rail NS 35/7,5, 1 N/O contact, input voltage 24 V DC

PLC-RSC- 24DC/ 1/ACT - Relay Module

2966210

<https://www.phoenixcontact.com/in/products/2966210>



PLC-INTERFACE for output functions, consisting of PLC-BSC.../ACT basic terminal block with screw connection and plug-in miniature relay with power contact, for mounting on DIN rail NS 35/7,5, 1 N/O contact, input voltage 24 V DC

PLC-V8/D15S/OUT - System connection

2296058

<https://www.phoenixcontact.com/in/products/2296058>

PLC-OPT- 24DC/ 24DC/2/ACT - Solid-state relay module

2900376

<https://www.phoenixcontact.com/in/products/2900376>



PLC-INTERFACE for output functions, consisting of PLC-BPT.../ACT basic terminal block with push-in connection and plug-in miniature solid-state relay, for mounting on DIN rail NS 35/7,5, 1 N/O contact, input: 24 V DC, output: 3 - 33 V DC/3 A

PLC-OSC- 24DC/ 24DC/ 2/ACT - Solid-state relay module

2966676

<https://www.phoenixcontact.com/in/products/2966676>



PLC-INTERFACE for output functions, consisting of PLC-BSC.../ACT basic terminal block with screw connection and plug-in miniature solid-state relay, for mounting on DIN rail NS 35/7,5, 1 N/O contact, input: 24 V DC, output: 3 - 33 V DC/3 A

PLC-V8/D15S/OUT - System connection

2296058

<https://www.phoenixcontact.com/in/products/2296058>

PLC-OSC- 24DC/230AC/ 1/ACT - Solid-state relay module

2967947

<https://www.phoenixcontact.com/in/products/2967947>



PLC-INTERFACE for output functions, consisting of PLC-BSC.../ACT basic terminal block with screw connection and plug-in miniature solid-state relay, for mounting on DIN rail NS 35/7,5, 1 N/O contact, input: 24 V DC, output: 24 ... 253 V AC/0.75 A

PLC-VT/ACT - Feed-through terminal block

2295567

<https://www.phoenixcontact.com/in/products/2295567>



VARIOFACE feed-through terminal block (3-conductor screw connection), for PLC-INTERFACE actuator series

PLC-V8/D15S/OUT - System connection



2296058

<https://www.phoenixcontact.com/in/products/2296058>

PLC-VT/ACT/LA - Feed-through terminal block

2296867

<https://www.phoenixcontact.com/in/products/2296867>



VARIOFACE feed-through terminal block (3-conductor screw connection), for PLC-INTERFACE actuator series, with 24 V DC LED display

Phoenix Contact 2023 © - all rights reserved

<https://www.phoenixcontact.com>

PHOENIX CONTACT (I) Pvt. Ltd.

A-58/2, Okhla Industrial Area, Phase - II, New Delhi-110 020

+91.1275.71420

info@phoenixcontact.co.in