

UHV 95-AS/AS - High-current connector



2130020

<https://www.phoenixcontact.com/in/products/2130020>

Please be informed that the data shown in this PDF document is generated from our online catalog. Please find the complete data in the user documentation. Our general terms of use for downloads are valid.



Universal terminal block with bolt connection, cross section: 35 ... 95 mm², AWG: 2 ... 4/0, width: 40 mm, color: gray

Your advantages

- Versions are available with a cable lug or direct connection and there is a mixed version of both connection methods
- The comprehensive range of accessories, such as the connection rail for cross connection, ensures safe and user-friendly wiring of conductors up to 240 mm²
- The UHV ... high-current connectors are available in several versions

Commercial data

Item number	2130020
Packing unit	10 pc
Minimum order quantity	1 pc
Note	Made to order (non-returnable)
Sales key	BE4
Product key	BE4112
Catalog page	Page 575 (C-1-2019)
GTIN	4017918052805
Weight per piece (including packing)	299.48 g
Weight per piece (excluding packing)	299.48 g
Customs tariff number	85369010
Country of origin	IN

UHV 95-AS/AS - High-current connector



2130020

<https://www.phoenixcontact.com/in/products/2130020>

Technical data

Product properties

Product type	Bolt connection terminal block
Number of connections	2
Number of rows	1
Potentials	1

Insulation characteristics

Overvoltage category	III
Degree of pollution	3

Electrical properties

Rated surge voltage	8 kV
---------------------	------

Connection data

Number of connections per level	2
Nominal cross section	95 mm ²
Rated cross section AWG	3/0

1 level

Stripping length	The stripping length depends on the specification provided by the cable lug manufacturer.
Power rail	30 mm x 5 mm
Connection in acc. with standard	IEC 60947-7-1
Nominal current	232 A
Maximum load current	232 A (with 95 mm ² conductor cross section)
Nominal voltage	1000 V
Nominal cross section	95 mm ²

Cable lug connection DIN 46234:1980-03

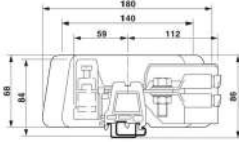
Connection in acc. with standard	DIN 46234:1980-03
Cross section	10 mm ² ... 95 mm ²
Cross section range AWG	(converted acc. to IEC)
Hole diameter	13 mm
Bolt diameter	12 mm
Screw thread	M12
Tightening torque	25 ... 30 Nm
Connection in acc. with standard	DIN 46235:1983-07
Cross section	25 mm ² ... 95 mm ²
Cross section range AWG	(converted acc. to IEC)
Hole diameter	13 mm
Bolt diameter	12 mm
Screw thread	M12
Tightening torque	25 ... 30 Nm

UHV 95-AS/AS - High-current connector

2130020

<https://www.phoenixcontact.com/in/products/2130020>

Dimensions

Dimensional drawing	
Width	40 mm

Material specifications

Color	gray
Flammability rating according to UL 94	V0
Insulating material group	II
Insulating material	PA
Static insulating material application in cold	-40 °C
Temperature index of insulation material (DIN EN 60216-1 (VDE 0304-21))	125 °C
Relative insulation material temperature index (Elec., UL 746 B)	120 °C

Electrical tests

Surge voltage test

Result	Test passed
Result	Test passed

Power-frequency withstand voltage

Test voltage setpoint	2.2 kV
Result	Test passed

Mechanical properties

Mechanical data

Open side panel	No
-----------------	----

Mechanical tests

Mechanical strength

Result	Test passed
--------	-------------

Attachment on the carrier

DIN rail/fixing support	NS 32/NS 35
Result	Test passed

Environmental and real-life conditions

Needle-flame test

Time of exposure	30 s
------------------	------

UHV 95-AS/AS - High-current connector



2130020

<https://www.phoenixcontact.com/in/products/2130020>

Oscillation/broadband noise

Specification	DIN EN 50155 (VDE 0115-200):2008-03
Spectrum	Service life test category 2, bogie-mounted
Frequency	$f_1 = 5 \text{ Hz}$ to $f_2 = 250 \text{ Hz}$
ASD level	$6.12 \text{ (m/s}^2\text{)}^2\text{/Hz}$
Acceleration	3.12g
Test duration per axis	5 h
Test directions	X-, Y- and Z-axis

Shocks

Pulse shape	Semi-sinusoidal
Acceleration	30g
Shock duration	18 ms
Number of shocks per direction	3
Test directions	X-, Y- and Z-axis (pos. and neg.)

Ambient conditions

Ambient temperature (operation)	-60 °C ... 85 °C
Ambient temperature (storage/transport)	-25 °C ... 55 °C (for a short time, not exceeding 24 h, -60 °C to +70 °C)
Ambient temperature (assembly)	-5 °C ... 70 °C
Ambient temperature (actuation)	-5 °C ... 70 °C
Permissible humidity (storage/transport)	30 % ... 70 %

Standards and regulations

Connection in acc. with standard	IEC 60947-7-1
----------------------------------	---------------

Mounting

Mounting type	NS 35/15
---------------	----------

UHV 95-AS/AS - High-current connector

2130020

<https://www.phoenixcontact.com/in/products/2130020>



Drawings

Circuit diagram

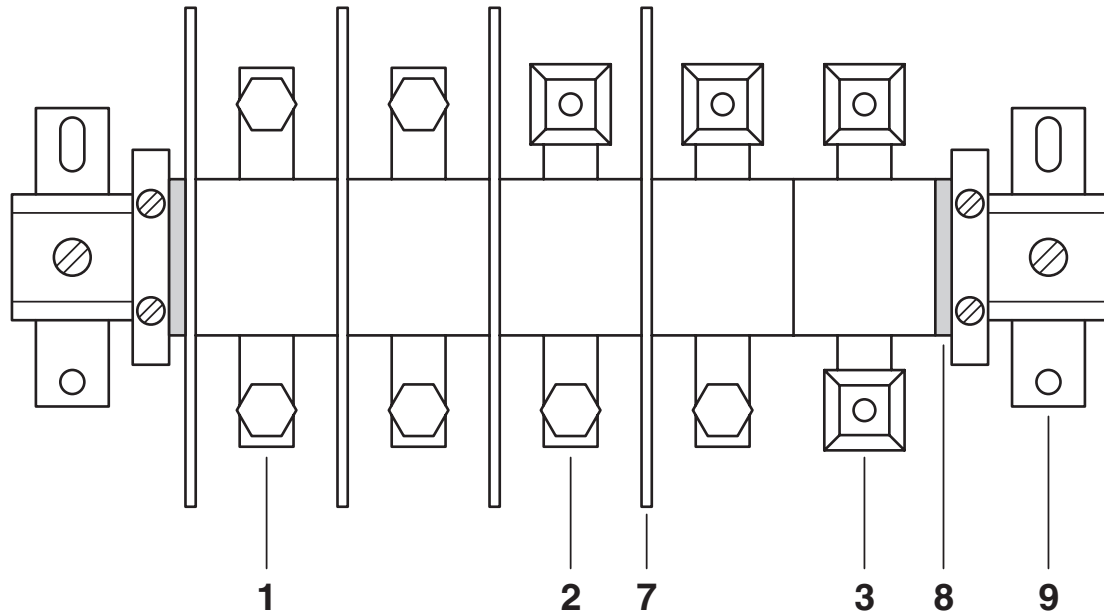


UHV 95-AS/AS - High-current connector

2130020

<https://www.phoenixcontact.com/in/products/2130020>

Schematic diagram



1 = high current connector, AS screw set on both sides

2 = high current connector, terminal sleeve KH on one side, screw set AS on the other side

3 = high current connector, terminal sleeves KH on both sides, for direct cable connection

7 = separating plate

8 = end piece

9 = flat bracket

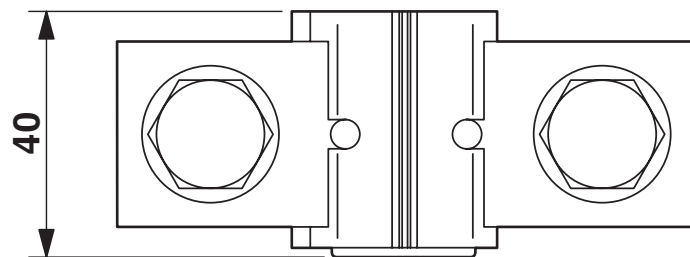
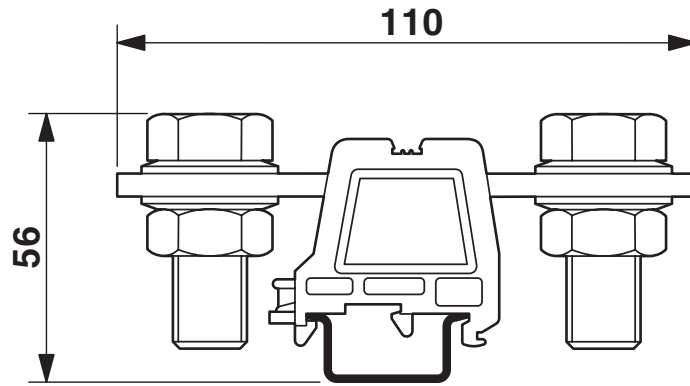
UHV 95-AS/AS - High-current connector

2130020

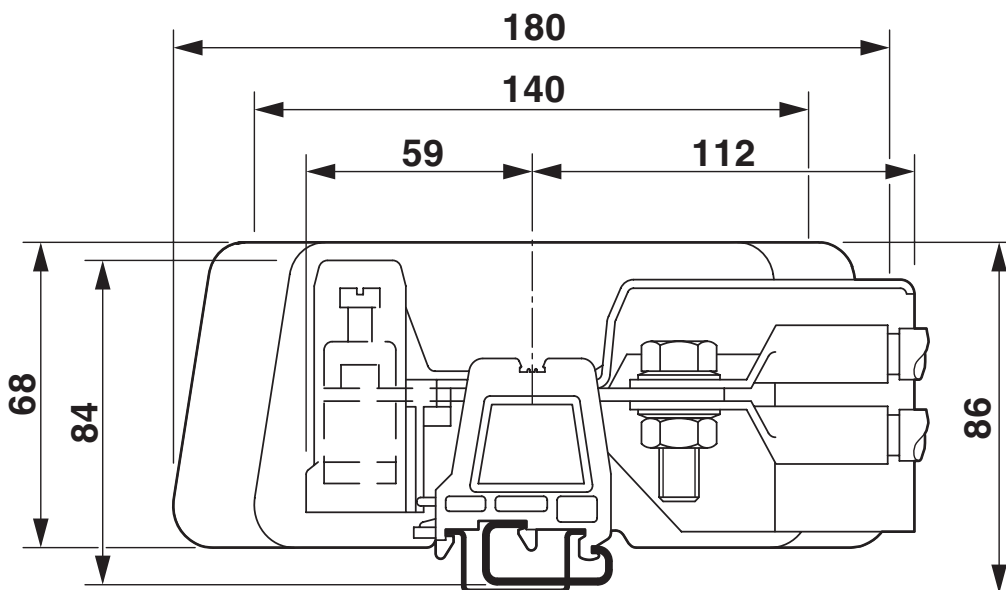
<https://www.phoenixcontact.com/in/products/2130020>



Dimensional drawing



Dimensional drawing



UHV 95-AS/AS - High-current connector



2130020

<https://www.phoenixcontact.com/in/products/2130020>

Classifications

UNSPSC

UNSPSC 21.0	39121410
-------------	----------

UHV 95-AS/AS - High-current connector



2130020

<https://www.phoenixcontact.com/in/products/2130020>

Environmental product compliance

China RoHS

Environment friendly use period (EFUP)	EFUP-E
	No hazardous substances above the limits

EU REACH SVHC

REACH candidate substance (CAS No.)	No substance above 0.1 wt%
-------------------------------------	----------------------------

UHV 95-AS/AS - High-current connector

2130020

<https://www.phoenixcontact.com/in/products/2130020>

Mandatory accessories

UHV -E - Flange cover

2130428

<https://www.phoenixcontact.com/in/products/2130428>



Flange cover, width: 5.2 mm, color: gray, mounting type: NS 35/7,5

Accessories

 Note: Applying some accessories below might limit this product.

UHV 95-VS 2 - Connection rail

2130635

<https://www.phoenixcontact.com/in/products/2130635>

Connection rail, number of positions: 2, color: silver



 Max. current carrying capacity: 232 A

UHV 95-AS/AS - High-current connector

2130020

<https://www.phoenixcontact.com/in/products/2130020>




UHV 95-VS 3 - Connection rail

2130648

<https://www.phoenixcontact.com/in/products/2130648>



Connection rail, number of positions: 3, color: silver

 Max. current carrying capacity: 232 A

UHV -TP2 - Separating plate

2130415

<https://www.phoenixcontact.com/in/products/2130415>

Separating plate, width: 2 mm, height: 68.3 mm, color: gray



UHV 95-AS/AS - High-current connector

2130020

<https://www.phoenixcontact.com/in/products/2130020>



UKH 95 EP - Insertion profile

3009231

<https://www.phoenixcontact.com/in/products/3009231>

Insertion profile, color: silver



SBS10:UNBEDRUCKT - Marker card

1007248

<https://www.phoenixcontact.com/in/products/1007248>

Marker card, Card, white, unlabeled, can be labeled with: Marker pen, perforated, mounting type: snapped, snap into flat marker groove, for terminal block width: 10 mm, lettering field size: 6 x 10.1 mm, Number of individual labels: 250



UHV 95-AS/AS - High-current connector

2130020

<https://www.phoenixcontact.com/in/products/2130020>



AGK PT 4X6/M12 - Pick-off terminal block

1017454

<https://www.phoenixcontact.com/in/products/1017454>



Pick-off terminal block, nom. voltage: 1000 V, nominal current: 41 A, number of connections: 5, connection method: Push-in connection, 1 level, Rated cross section: 6 mm², cross section: 0.5 mm² - 10 mm², Bolt connection, 1 level, mounting type: on base element, color: gray

SF-THEX 6-200 - Screwdriver

1212642

<https://www.phoenixcontact.com/in/products/1212642>



T-handle screwdriver, for Allen screws, hexagonal (with chamfer), size: hex 6 x 200 mm, ergonomically shaped handle, matt chrome-plated

UHV 95-AS/AS - High-current connector

2130020

<https://www.phoenixcontact.com/in/products/2130020>

C-RC 10/M12 DIN - Ring cable lug

3240093

<https://www.phoenixcontact.com/in/products/3240093>



Ring cable lug, non-insulated, 10 mm², M12

C-RC 16/M12 DIN - Ring cable lug

3240098

<https://www.phoenixcontact.com/in/products/3240098>



Ring cable lug, non-insulated, 16 mm², M12

UHV 95-AS/AS - High-current connector

2130020

<https://www.phoenixcontact.com/in/products/2130020>

C-RC 25/M12 DIN - Ring cable lug

3240103

<https://www.phoenixcontact.com/in/products/3240103>



Ring cable lug, non-insulated, 25 mm², M12

C-RC 35/M12 DIN - Ring cable lug

3240108

<https://www.phoenixcontact.com/in/products/3240108>



Ring cable lug, non-insulated, 35 mm², M12

UHV 95-AS/AS - High-current connector

2130020

<https://www.phoenixcontact.com/in/products/2130020>

C-RC 50/M12 DIN - Ring cable lug

3240113

<https://www.phoenixcontact.com/in/products/3240113>



Ring cable lug, non-insulated, 50 mm², M12

C-RC 95/M12 DIN - Ring cable lug

3240122

<https://www.phoenixcontact.com/in/products/3240122>



Ring cable lug, non-insulated, 95 mm², M12

UHV 95-AS/AS - High-current connector



2130020

<https://www.phoenixcontact.com/in/products/2130020>

NS 32 PERF 2000MM-VPE 10 - DIN rail perforated

1201002

<https://www.phoenixcontact.com/in/products/1201002>



DIN rail perforated, Pack of 10 (20 m), acc. to EN 60715, material: Steel, galvanized, passivated with a thick layer, G profile, color: silver

NS 32 UNPERF 2000MM-VPE 10 - DIN rail, unperforated

1201015

<https://www.phoenixcontact.com/in/products/1201015>



DIN rail, unperforated, Pack of 10 (20 m), acc. to EN 60715, material: Steel, galvanized, passivated with a thick layer, G profile, color: silver

UHV 95-AS/AS - High-current connector

2130020

<https://www.phoenixcontact.com/in/products/2130020>

ZB 10:UNBEDRUCKT - Zack marker strip

1053001

<https://www.phoenixcontact.com/in/products/1053001>



Zack marker strip, Strip, white, unlabeled, can be labeled with: PLOTMARK, CMS-P1-PLOTTER, mounting type: snapped, for terminal block width: 10.2 mm, lettering field size: 10.5 x 10.15 mm, Number of individual labels: 10

ZB 10 CUS - Zack marker strip

0824941

<https://www.phoenixcontact.com/in/products/0824941>



Zack marker strip, can be ordered: Strip, white, labeled according to customer specifications, mounting type: snap into tall marker groove, for terminal block width: 10.2 mm, lettering field size: 10,15 x 10,5 mm, Number of individual labels: 10

UHV 95-AS/AS - High-current connector



2130020

<https://www.phoenixcontact.com/in/products/2130020>

ZB10,LGS:FORTL.ZAHLEN - Zack marker strip

1053014

<https://www.phoenixcontact.com/in/products/1053014>



Zack marker strip, Strip, white, labeled, can be labeled with: CMS-P1-PLOTTER, printed horizontally: consecutive numbers 1 ... 10, 11 ... 20, etc. up to 91 ... 100, mounting type: snapped, for terminal block width: 10.2 mm, lettering field size: 10,15 x 10,5 mm, Number of individual labels: 10

ZB10,QR:FORTL.ZAHLEN - Zack marker strip

1053027

<https://www.phoenixcontact.com/in/products/1053027>



Zack marker strip, Strip, white, labeled, can be labeled with: CMS-P1-PLOTTER, Printed vertically: consecutive numbers 1 ... 10, 11 ... 20, etc. up to 91 ... 100, mounting type: snapped, for terminal block width: 10.2 mm, lettering field size: 10,15 x 10,5 mm, Number of individual labels: 10

UHV 95-AS/AS - High-current connector

2130020

<https://www.phoenixcontact.com/in/products/2130020>

ZB10,LGS:L1-N,PE - Marker for terminal blocks

1053412

<https://www.phoenixcontact.com/in/products/1053412>



Marker for terminal blocks, Strip, white, labeled, can be labeled with: CMS-P1-PLOTTER, horizontal: L1, L2, L3, N, PE, L1, L2, L3, N, PE, mounting type: snapped, for terminal block width: 10.2 mm, lettering field size: 10,15 x 10,5 mm, Number of individual labels: 10

ZB10,LGS:U-N - Marker for terminal blocks

1053438

<https://www.phoenixcontact.com/in/products/1053438>



Marker for terminal blocks, Strip, white, labeled, can be labeled with: CMS-P1-PLOTTER, horizontal: U, V, W, N, GND, U, V, W, N, GND, mounting type: snapped, for terminal block width: 10.2 mm, lettering field size: 10,15 x 10,5 mm, Number of individual labels: 10

UHV 95-AS/AS - High-current connector



2130020

<https://www.phoenixcontact.com/in/products/2130020>

UC-TM 10 - Marker for terminal blocks

0818069

<https://www.phoenixcontact.com/in/products/0818069>



Marker for terminal blocks, Sheet, white, unlabeled, can be labeled with: BLUEMARK ID COLOR, BLUEMARK ID, BLUEMARK CLED, PLOTMARK, CMS-P1-PLOTTER, mounting type: snapped, for terminal block width: 10.2 mm, lettering field size: 9.6 x 10.5 mm, Number of individual labels: 48

UC-TM 10 CUS - Marker for terminal blocks

0824605

<https://www.phoenixcontact.com/in/products/0824605>



Marker for terminal blocks, can be ordered: by sheet, white, labeled according to customer specifications, mounting type: snap into tall marker groove, for terminal block width: 10.2 mm, lettering field size: 9.6 x 10.5 mm, Number of individual labels: 48

UHV 95-AS/AS - High-current connector



2130020

<https://www.phoenixcontact.com/in/products/2130020>

UCT-TM 10 - Marker for terminal blocks

0829142

<https://www.phoenixcontact.com/in/products/0829142>



Marker for terminal blocks, Sheet, white, unlabeled, can be labeled with: TOPMARK NEO, TOPMARK LASER, BLUEMARK ID COLOR, BLUEMARK ID, BLUEMARK CLED, THERMOMARK PRIME, THERMOMARK CARD 2.0, THERMOMARK CARD, mounting type: snapped, for terminal block width: 10.2 mm, lettering field size: 8.9 x 9.6 mm, Number of individual labels: 36

UCT-TM 10 CUS - Marker for terminal blocks

0829623

<https://www.phoenixcontact.com/in/products/0829623>



Marker for terminal blocks, can be ordered: by sheet, white, labeled according to customer specifications, mounting type: snap into tall marker groove, for terminal block width: 10.2 mm, lettering field size: 8.9 x 9.6 mm, Number of individual labels: 36

UHV 95-AS/AS - High-current connector



2130020

<https://www.phoenixcontact.com/in/products/2130020>

E/AL-NS 32 - End bracket

1201659

<https://www.phoenixcontact.com/in/products/1201659>



End clamp, for end support of UKH 50 - UKH 240, is pushed onto DIN rail NS 32 and fixed with 2 screws, width: 10 mm, color: Aluminum

E/AL-NS 35 - End bracket

1201662

<https://www.phoenixcontact.com/in/products/1201662>



End clamp, for end support of UKH 50 to UKH 240, is pushed onto DIN rail NS 35 and fixed with 2 screws, width: 10 mm, color: aluminum

UHV 95-AS/AS - High-current connector

2130020

<https://www.phoenixcontact.com/in/products/2130020>



CLIPFIX 15 - End bracket

3022263

<https://www.phoenixcontact.com/in/products/3022263>



Snap-on end bracket, to be snapped onto NS 15 DIN rail

NS 35/15 PERF 2000MM - DIN rail perforated

1201730

<https://www.phoenixcontact.com/in/products/1201730>



DIN rail perforated, Pack of 25 (50 m), similar to EN 60715, material: Steel, galvanized, passivated with a thick layer, Standard profile, color: silver

UHV 95-AS/AS - High-current connector

2130020

<https://www.phoenixcontact.com/in/products/2130020>



NS 35/15 UNPERF 2000MM - DIN rail, unperforated

1201714

<https://www.phoenixcontact.com/in/products/1201714>



DIN rail, unperforated, Pack of 25 (50 m), similar to EN 60715, material: Steel, galvanized, passivated with a thick layer, Standard profile, color: silver

NS 35/15 WH PERF 2000MM - DIN rail perforated

0806602

<https://www.phoenixcontact.com/in/products/0806602>



DIN rail perforated, Pack of 25 (50 m), similar to EN 60715, material: Steel, Galvanized, white passivated, Standard profile, color: white

UHV 95-AS/AS - High-current connector

2130020

<https://www.phoenixcontact.com/in/products/2130020>



NS 35/15 WH UNPERF 2000MM-VPE 10 - DIN rail, unperforated

1204135

<https://www.phoenixcontact.com/in/products/1204135>



DIN rail, unperforated, Pack of 10 (20 m), similar to EN 60715, material: Steel, Galvanized, white passivated, Standard profile, color: silver

NS 35/15 AL UNPERF 2000MM - DIN rail, unperforated

1201756

<https://www.phoenixcontact.com/in/products/1201756>



DIN rail, unperforated, similar to EN 60715, material: Aluminum, uncoated, Standard profile, color: silver

UHV 95-AS/AS - High-current connector

2130020

<https://www.phoenixcontact.com/in/products/2130020>



NS 35/15 ZN PERF 2000MM - DIN rail perforated

1206599

<https://www.phoenixcontact.com/in/products/1206599>



DIN rail perforated, Pack of 25 (50 m), similar to EN 60715, material: Steel, galvanized, Standard profile, color: silver

NS 35/15 ZN UNPERF 2000MM - DIN rail, unperforated

1206586

<https://www.phoenixcontact.com/in/products/1206586>



DIN rail, unperforated, Pack of 25 (50 m), similar to EN 60715, material: Steel, galvanized, Standard profile, color: silver

UHV 95-AS/AS - High-current connector

2130020

<https://www.phoenixcontact.com/in/products/2130020>



NS 35/15 CU UNPERF 2000MM-VPE 10 - DIN rail, unperforated

1201895

<https://www.phoenixcontact.com/in/products/1201895>



DIN rail, unperforated, Pack of 10 (20 m), similar to EN 60715, material: Copper, uncoated, Standard profile, color: copper-colored

NS 35/15 CAP - End cap

1206573

<https://www.phoenixcontact.com/in/products/1206573>

DIN rail end piece, for DIN rail NS 35/15



UHV 95-AS/AS - High-current connector

2130020

<https://www.phoenixcontact.com/in/products/2130020>



NS 35/15-2,3 UNPERF 2000MM-VPE 10 - DIN rail, unperforated

1201798

<https://www.phoenixcontact.com/in/products/1201798>



DIN rail, unperforated, Pack of 10 (20 m), acc. to EN 60715, material: Steel, galvanized, passivated with a thick layer, Standard profile 2.3 mm, color: silver

Phoenix Contact 2024 © - all rights reserved

<https://www.phoenixcontact.com>

PHOENIX CONTACT (I) Pvt. Ltd.

A-58/2, Okhla Industrial Area, Phase - II, New Delhi-110 020

+91.1275.71420

info@phoenixcontact.co.in