

KGG-MC 1,5/13 - Cable housing

1834453

<https://www.phoenixcontact.com/in/products/1834453>

Please be informed that the data shown in this PDF document is generated from our Online Catalog. Please find the complete data in the user documentation. Our General Terms of Use for Downloads are valid.

Cable housing, pitch: 3.81 mm, number of positions: 13, dimension a: 51.92 mm, color: green



Commercial Data

Item number	1834453
Packing unit	10 pc
Minimum order quantity	10 pc
Sales Key	AAH
Product Key	AAHZDB
Catalog Page	Page 243 (C-1-2013)
GTIN	4017918110796
Weight per Piece (including packing)	12.1 g
Weight per Piece (excluding packing)	11.7 g
Customs tariff number	85389099
Country of origin	PL

KGG-MC 1,5/13 - Cable housing

1834453

<https://www.phoenixcontact.com/in/products/1834453>

Technical Data

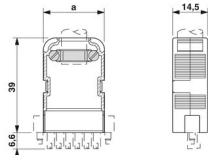
Product properties

Product type	Cable housing
Product family	KGG-MC 1,5
Number of positions	13
Pitch	3.81 mm

Material specifications

Color	green
Flammability rating according to UL 94	HB
Insulating material group	I
Insulating material	ABS

Dimensions

Dimensional drawing	
Width	14.5 mm
Height	45.6 mm
Pitch	3.81 mm

KGG-MC 1,5/13 - Cable housing

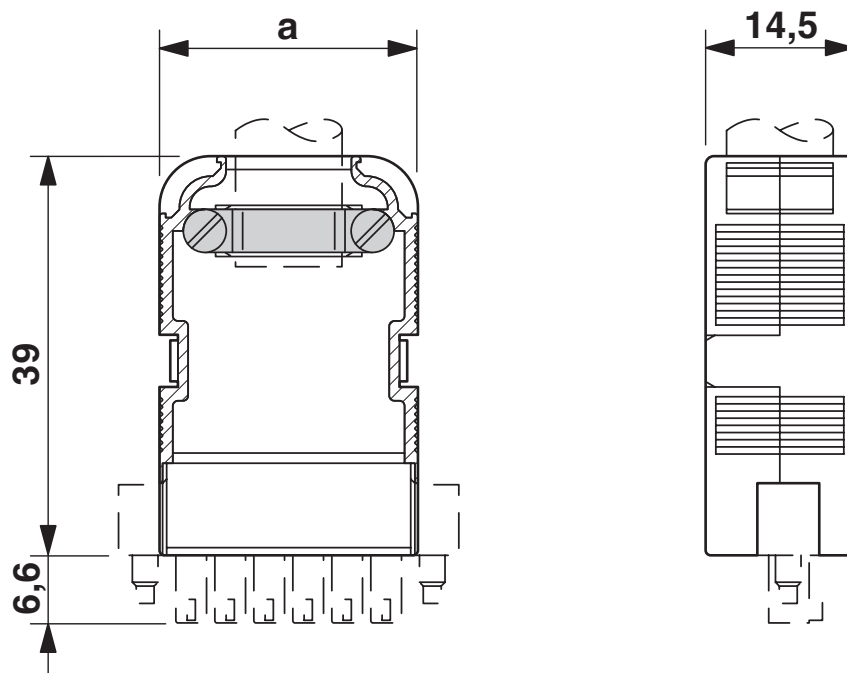
1834453

<https://www.phoenixcontact.com/in/products/1834453>



Drawings

Dimensional drawing



KGG-MC 1,5/13 - Cable housing

1834453

<https://www.phoenixcontact.com/in/products/1834453>



Approvals



EAC

Approval ID: B.01687

KGG-MC 1,5/13 - Cable housing



1834453

<https://www.phoenixcontact.com/in/products/1834453>

Classifications

ECLASS

ECLASS-11.0	27460402
ECLASS-12.0	27460402
ECLASS-13.0	27460402

ETIM

ETIM 8.0	EC002943
----------	----------

UNSPSC

UNSPSC 21.0	39121400
-------------	----------

KGG-MC 1,5/13 - Cable housing

1834453

<https://www.phoenixcontact.com/in/products/1834453>



Environmental Product Compliance

China RoHS	Environmentally friendly use period: unlimited = EFUP-e
	No hazardous substances above threshold values

KGG-MC 1,5/13 - Cable housing

1834453

<https://www.phoenixcontact.com/in/products/1834453>

Accessories

SBS10:UNBEDRUCKT - Marker card

1007248

<https://www.phoenixcontact.com/in/products/1007248>



Marker card, Card, white, unlabeled, can be labeled with: Marker pen, perforated, mounting type: snapped, snap into flat marker groove, for terminal block width: 10 mm, lettering field size: 6 x 10.1 mm, Number of individual labels: 250

KGG-MC 1,5/ DST - Marking material

1839050

<https://www.phoenixcontact.com/in/products/1839050>



Transparent label carrier, can be marked with marker strips SBS 10

KGG-MC 1,5/13 - Cable housing

1834453

<https://www.phoenixcontact.com/in/products/1834453>



CUC-DST-ABK-CP7,5 - Bend protection sleeve

1419794

<https://www.phoenixcontact.com/in/products/1419794>



Bend protection sleeve, degree of protection: IP20, color: black

CUC-DST-ABK-CP9 - Bend protection sleeve

1419792

<https://www.phoenixcontact.com/in/products/1419792>



Bend protection sleeve, degree of protection: IP20, color: black

KGG-MC 1,5/13 - Cable housing

1834453

<https://www.phoenixcontact.com/in/products/1834453>



CUC-DST-ABK-CP9,7 - Bend protection sleeve

1419793

<https://www.phoenixcontact.com/in/products/1419793>

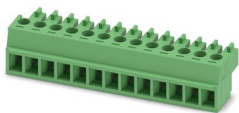


Bend protection sleeve, degree of protection: IP20, color: black

MC 1,5/13-ST-3,81 - PCB connector

1803688

<https://www.phoenixcontact.com/in/products/1803688>



PCB connector, nominal cross section: 1.5 mm², color: green, nominal current: 8 A, rated voltage (III/2): 160 V, contact surface: Tin, type of contact: Socket, number of potentials: 13, number of rows: 1, number of positions: 13, number of connections: 13, product range: MC 1,5/..-ST, pitch: 3.81 mm, connection method: Screw connection with tension sleeve, screw head form: L Slotted, conductor/PCB connection direction: 0 °, plug-in system: COMBICON MC 1,5, locking: without, mounting: without, type of packaging: packed in cardboard

KGG-MC 1,5/13 - Cable housing

1834453

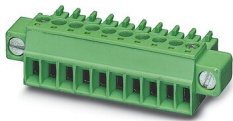
<https://www.phoenixcontact.com/in/products/1834453>



MC 1,5/13-STF-3,81 - PCB connector

1827813

<https://www.phoenixcontact.com/in/products/1827813>



PCB connector, nominal cross section: 1.5 mm², color: green, nominal current: 8 A, rated voltage (III/2): 160 V, contact surface: Tin, type of contact: Socket, number of potentials: 13, number of rows: 1, number of positions: 13, number of connections: 13, product range: MC 1,5/...-STF, pitch: 3.81 mm, connection method: Screw connection with tension sleeve, screw head form: L Slotted, conductor/PCB connection direction: 0 °, pin layout: Linear pinning, plug-in system: COMBICON MC 1,5, locking: Screw locking, mounting: Screw flange, type of packaging: packed in cardboard

IMC 1,5/13-ST-3,81 - Printed-circuit board connector

1857993

<https://www.phoenixcontact.com/in/products/1857993>



PCB connector, nominal cross section: 1.5 mm², color: green, nominal current: 8 A, rated voltage (III/2): 160 V, contact surface: Tin, type of contact: Pin, number of potentials: 13, number of rows: 1, number of positions: 13, number of connections: 13, product range: IMC 1,5/...-ST, pitch: 3.81 mm, connection method: Screw connection with tension sleeve, screw head form: L Slotted, conductor/PCB connection direction: 0 °, plug-in system: COMBICON MC 1,5, locking: without, mounting: without, type of packaging: packed in cardboard

Phoenix Contact 2023 © - all rights reserved
<https://www.phoenixcontact.com>

PHOENIX CONTACT (I) Pvt. Ltd.
A-58/2, Okhla Industrial Area, Phase - II, New Delhi-110 020

+91.1275.71420
info@phoenixcontact.co.in