

HC-D 25-TFL-72/M1PG16S - Housing



1772421

<https://www.phoenixcontact.com/in/products/1772421>

Please be informed that the data shown in this PDF document is generated from our online catalog. Please find the complete data in the user documentation. Our general terms of use for downloads are valid.



Sleeve housing, for single locking latch, height 72 mm, with screw connection, 1x Pg16, lateral cable entry

Commercial data

Item number	1772421
Packing unit	10 pc
Minimum order quantity	1 pc
Sales key	BF7
Product key	BF7AAE
Catalog page	Page 424 (C-4-2013)
GTIN	4017918037093
Weight per piece (including packing)	225.57 g
Weight per piece (excluding packing)	225.57 g
Customs tariff number	85389099
Country of origin	DE

HC-D 25-TFL-72/M1PG16S - Housing

1772421

<https://www.phoenixcontact.com/in/products/1772421>

Technical data

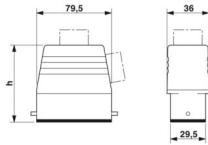
Notes

General	For contact inserts HC-D25, A16
---------	---------------------------------

Product properties

Product type	Housing with locking latch
Housing type	Sleeve housing
Application	Standard
Type	D25
No. of cable outlets	1
Type of the screw connection	1x Pg16
Shielded	no
Cable outlet	lateral
Pg screw connection	with

Dimensions

Dimensional drawing	
Width	36 mm
Height	72 mm
Length	79.5 mm
Wrench size, union nut	22 mm

Material specifications

Material Screw connection	Brass, nickel-plated
Seal material Cable seal	NBR
Housing material	Die-cast aluminum
Housing surface material	Powder-coated, gray

Mechanical properties

Mechanical data

Type of the screw connection	1x Pg16
Locking type	Pin

Cable/line

External cable diameter Cable 1	7.5 mm ... 15 mm
---------------------------------	------------------

Connection data

External cable diameter	7.5 mm ... 15 mm
-------------------------	------------------

HC-D 25-TFL-72/M1PG16S - Housing



1772421

<https://www.phoenixcontact.com/in/products/1772421>

Environmental and real-life conditions

Ambient conditions

Degree of protection	IP65
Ambient temperature (operation)	-40 °C ... 125 °C

HC-D 25-TFL-72/M1PG16S - Housing

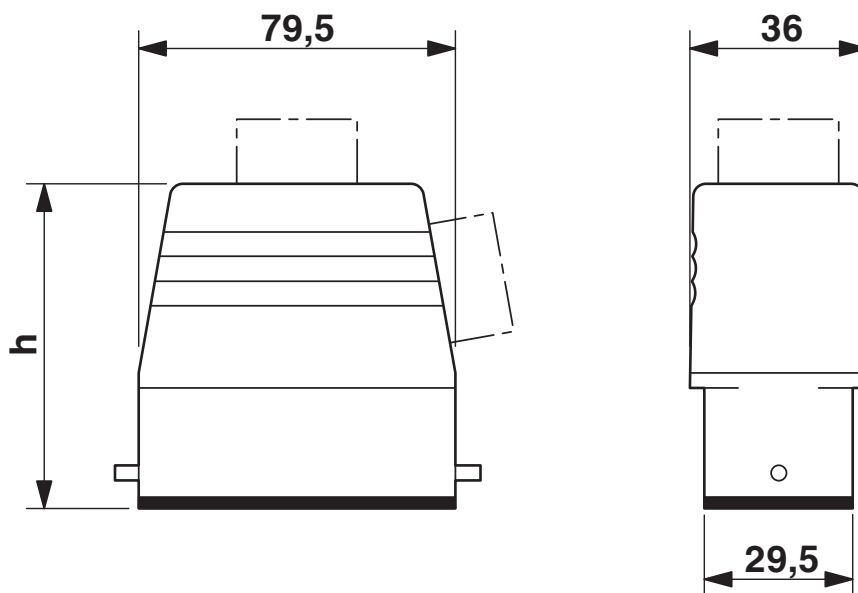


1772421

<https://www.phoenixcontact.com/in/products/1772421>

Drawings

Dimensional drawing



Dimensional drawing

HC-D 25-TFL-72/M1PG16S - Housing



1772421

<https://www.phoenixcontact.com/in/products/1772421>

Classifications

ECLASS

ECLASS-11.0	27440202
ECLASS-13.0	27440202

HC-D 25-TFL-72/M1PG16S - Housing



1772421

<https://www.phoenixcontact.com/in/products/1772421>

Environmental product compliance

EU RoHS

Fulfills EU RoHS substance requirements	Yes, No exemptions
---	--------------------

China RoHS

Environment friendly use period (EFUP)	EFUP-E
	No hazardous substances above the limits

EU REACH SVHC

REACH candidate substance (CAS No.)	No substance above 0.1 wt%
-------------------------------------	----------------------------

Phoenix Contact 2024 © - all rights reserved
<https://www.phoenixcontact.com>

PHOENIX CONTACT (I) Pvt. Ltd.
A-58/2, Okhla Industrial Area, Phase - II, New Delhi-110 020

+91.1275.71420
info@phoenixcontact.co.in