

HC-D 25-ESTC - Contact insert

1772418

<https://www.phoenixcontact.com/in/products/1772418>

Please be informed that the data shown in this PDF document is generated from our online catalog. Please find the complete data in the user documentation. Our general terms of use for downloads are valid.



HEAVYCON male insert, D25 series, 25-pos., crimp connection

Commercial data

Item number	1772418
Packing unit	1 pc
Minimum order quantity	1 pc
Sales key	BF7
Product key	BF7ABE
Catalog page	Page 439 (PC-2009)
GTIN	4017918037086
Weight per piece (including packing)	42.4 g
Weight per piece (excluding packing)	36.4 g
Customs tariff number	85366990
Country of origin	DE

HC-D 25-ESTC - Contact insert



1772418

<https://www.phoenixcontact.com/in/products/1772418>

Technical data

Notes

General	For HC-D25 housing, crimp contacts CK1,6-ED (crimp contacts not included in scope of supply)
---------	--

Mounting

Assembly note	Connectors may be operated only when there is no load/voltage. - Use of HC-CST (1676857) coding pins and HC-CBU (1676860) coding sockets has been prescribed.
---------------	--

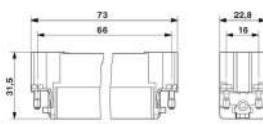
Product properties

Product type	Contact insert with a fixed no. of positions
Type	D25
Number of positions	25
Connection profile	25+PE

Insulation characteristics

Overvoltage category	III
Degree of pollution	3

Dimensions

Dimensional drawing	
Width	22.8 mm
Height	31.5 mm
Length	72 mm
Drill hole distance, vertical	16 mm

Connection data

Connection technology

Connection technology	Crimp connection
Connection in acc. with standard	IEC / EN

Conductor connection

Conductor cross section	0.14 mm ² ... 2.5 mm ²
Connection cross section AWG	26 ... 14
Stripping length of the individual wire	8 mm
	6 mm (2.5 mm ²)

Electrical properties

Rated voltage (III/3)	250 V
-----------------------	-------

HC-D 25-ESTC - Contact insert



1772418

<https://www.phoenixcontact.com/in/products/1772418>

Rated surge voltage	4 kV
Rated current	10 A
Test voltage	4 kV AC

Mechanical properties

Mechanical data

Insertion/withdrawal cycles	≥ 500
-----------------------------	-------

Material specifications

Flammability rating according to UL 94	V0
Contact material	Copper alloy
Contact surface material	Ag (alternatively Au)
Contact carrier material	PA

Environmental and real-life conditions

Ambient conditions

Ambient temperature (operation)	-40 °C ... 125 °C (including heating up of contacts)
---------------------------------	--

Standards and regulations

Constructional and testing regulations	DIN VDE 0627/86
	DIN VDE 0110/02.79
	DIN VDE 0110-1/04.97
	IEC 60664-1, DIN IEC 60512
	IEC 60352
Tests	DIN VDE 0627/86
	DIN VDE 0110/02.79
	DIN VDE 0110-1/04.97
	IEC 60664-1, DIN IEC 60512
	IEC 60352

HC-D 25-ESTC - Contact insert

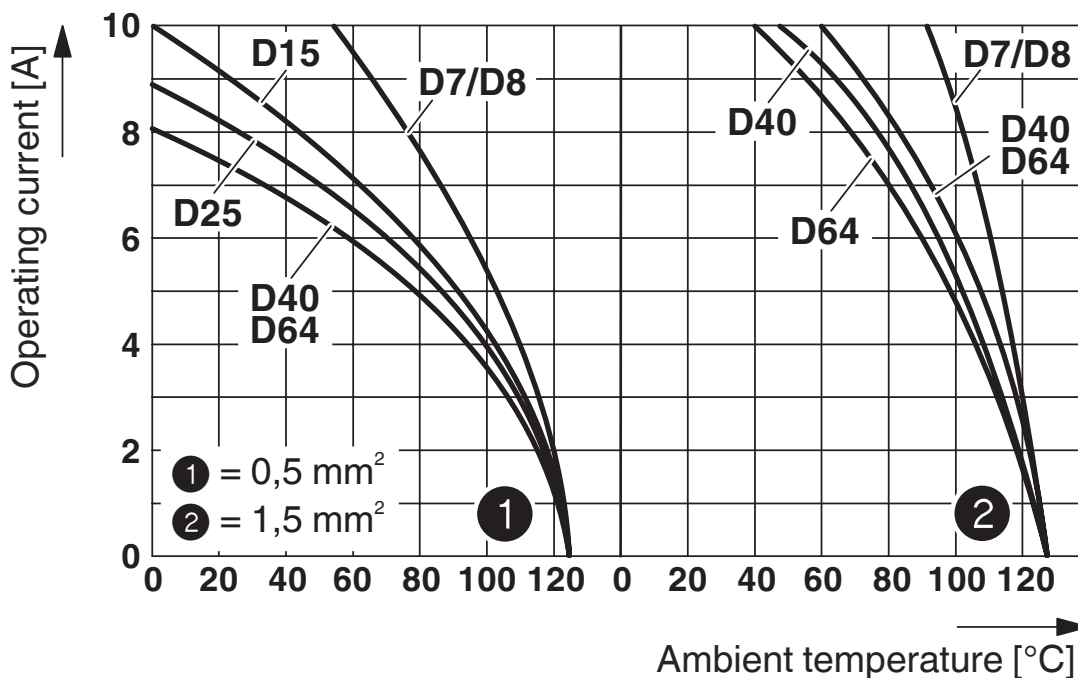


1772418

<https://www.phoenixcontact.com/in/products/1772418>

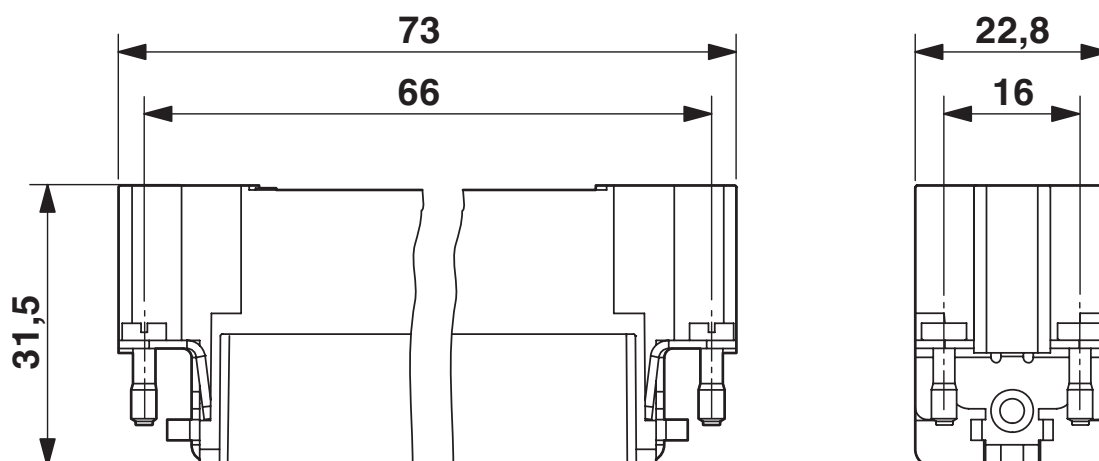
Drawings

Diagram



Derating diagram: HC-D...C series

Dimensional drawing



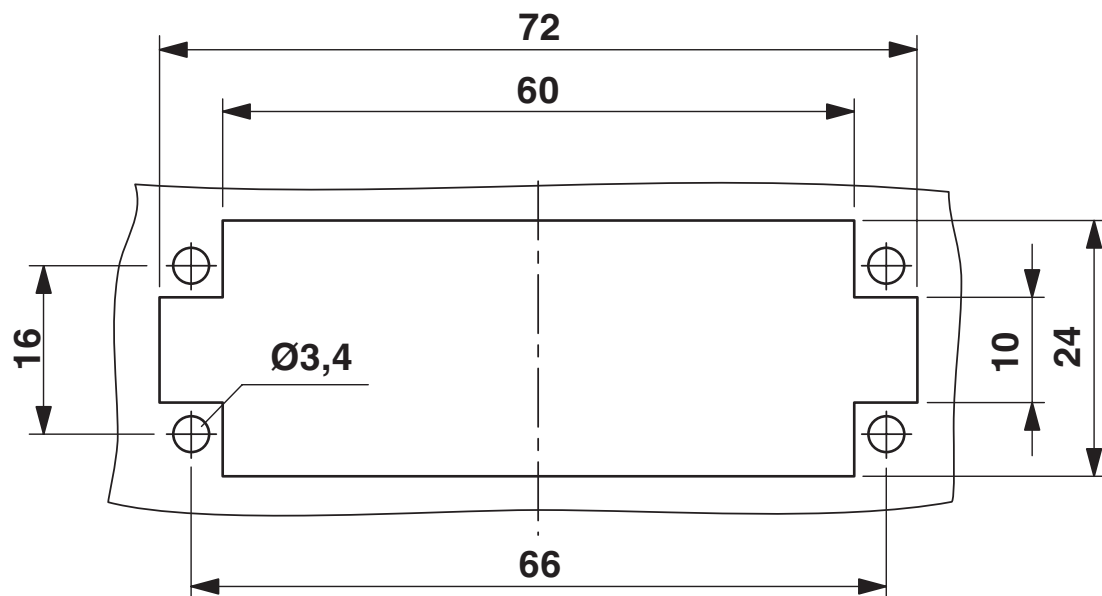
Male insert (turned contacts)

HC-D 25-ESTC - Contact insert

1772418

<https://www.phoenixcontact.com/in/products/1772418>

Dimensional drawing



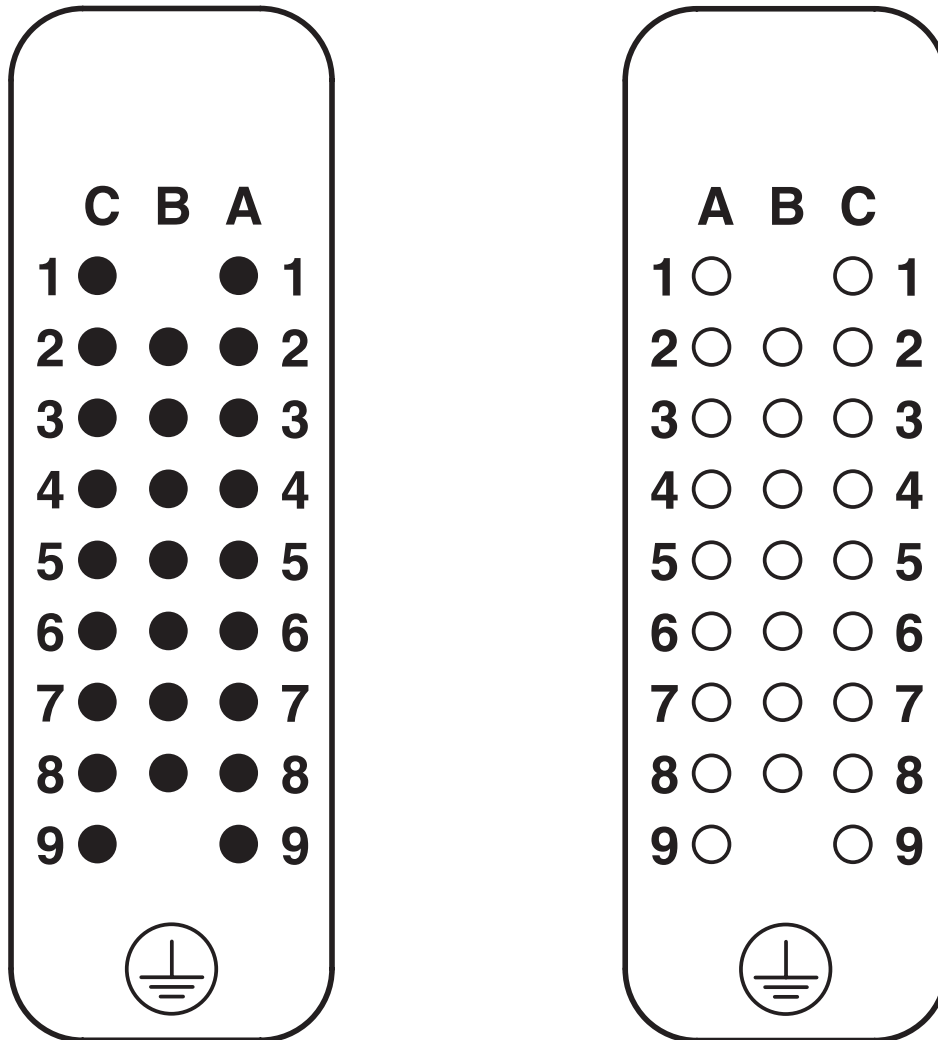
Mounting cutout

HC-D 25-ESTC - Contact insert

1772418

<https://www.phoenixcontact.com/in/products/1772418>

Schematic diagram



Connector pin assignment connection side: Left pin; right socket

HC-D 25-ESTC - Contact insert





1772418

<https://www.phoenixcontact.com/in/products/1772418>

Approvals

To download certificates, visit the product detail page: <https://www.phoenixcontact.com/in/products/1772418>

 CSA Approval ID: 212533				
	Nominal voltage U_N	Nominal current I_N	Cross section AWG	Cross section mm^2
	300 V	10 A	22 - 16	-

 UL Recognized Approval ID: FILE E 118976				
	Nominal voltage U_N	Nominal current I_N	Cross section AWG	Cross section mm^2
	600 V	10 A	22 - 16	-

HC-D 25-ESTC - Contact insert



1772418

<https://www.phoenixcontact.com/in/products/1772418>

Classifications

ECLASS

ECLASS-11.0	27440205
ECLASS-13.0	27440205

HC-D 25-ESTC - Contact insert



1772418

<https://www.phoenixcontact.com/in/products/1772418>

Environmental product compliance

China RoHS

Environment friendly use period (EFUP)	EFUP-E
	No hazardous substances above the limits

EU REACH SVHC

REACH candidate substance (CAS No.)	No substance above 0.1 wt%
-------------------------------------	----------------------------

HC-D 25-ESTC - Contact insert

1772418

<https://www.phoenixcontact.com/in/products/1772418>



Accessories

HC-A-PES - Screw

1584868

<https://www.phoenixcontact.com/in/products/1584868>



PE screw for contact inserts of A series

HC-CST - Coding element

1676857

<https://www.phoenixcontact.com/in/products/1676857>



Coding peg for coding up to 16 connectors

HC-D 25-ESTC - Contact insert

1772418

<https://www.phoenixcontact.com/in/products/1772418>



HC-CBU - Coding element

1676860

<https://www.phoenixcontact.com/in/products/1676860>



Coding socket for coding up to 16 connectors

HC-CB - Coding bolt

1772722

<https://www.phoenixcontact.com/in/products/1772722>



Coding pin, prevents mismatching of up to six connectors with an identical number of positions

HC-D 25-ESTC - Contact insert

1772418

<https://www.phoenixcontact.com/in/products/1772418>



HC-SMR-D25 - DIN rail mounting frame

1604023

<https://www.phoenixcontact.com/in/products/1604023>



HEAVYCON DIN rail mounting frame, for contact inserts of type D25

Phoenix Contact 2024 © - all rights reserved

<https://www.phoenixcontact.com>

PHOENIX CONTACT (I) Pvt. Ltd.

A-58/2, Okhla Industrial Area, Phase - II, New Delhi-110 020

+91.1275.71420

info@phoenixcontact.co.in