

HC-B 24-TFQ-76/M1PG21S - Housing



1771765

<https://www.phoenixcontact.com/in/products/1771765>

Please be informed that the data shown in this PDF document is generated from our online catalog. Please find the complete data in the user documentation. Our general terms of use for downloads are valid.



Sleeve housing, for double locking latch, height 76 mm, with screw connection, 1x Pg21, lateral cable entry

Commercial data

Item number	1771765
Packing unit	10 pc
Minimum order quantity	1 pc
Product key	BF7AAC
Catalog page	Page 579 (PC-2011)
GTIN	4017918036485
Weight per piece (including packing)	387.69 g
Weight per piece (excluding packing)	387.69 g
Country of origin	DE

HC-B 24-TFQ-76/M1PG21S - Housing

1771765

<https://www.phoenixcontact.com/in/products/1771765>

Technical data

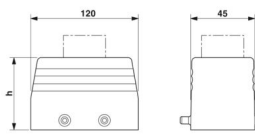
Notes

General	For contact inserts HC-B24, BB46, BBB64, D64, DD108, M
---------	--

Product properties

Product type	Housing with locking latch
Housing type	Sleeve housing
Application	Standard
Type	B24
No. of cable outlets	1
Type of the screw connection	1x Pg21
Shielded	no
Cable outlet	lateral
Pg screw connection	with

Dimensions

Dimensional drawing	
Width	43 mm
Height	76 mm
Length	120 mm
Wrench size, union nut	28 mm

Material specifications

Material Screw connection	Brass, nickel-plated
Seal material Cable seal	NBR
Housing material	Die-cast aluminum
Housing surface material	Powder-coated, gray

Mechanical properties

Mechanical data

Type of the screw connection	1x Pg21
Locking type	Pin

Cable/line

External cable diameter Cable 1	10 mm ... 19 mm
---------------------------------	-----------------

Connection data

External cable diameter	10 mm ... 19 mm
-------------------------	-----------------

HC-B 24-TFQ-76/M1PG21S - Housing



1771765

<https://www.phoenixcontact.com/in/products/1771765>

Environmental and real-life conditions

Ambient conditions

Degree of protection	IP65
Ambient temperature (operation)	-40 °C ... 125 °C

HC-B 24-TFQ-76/M1PG21S - Housing

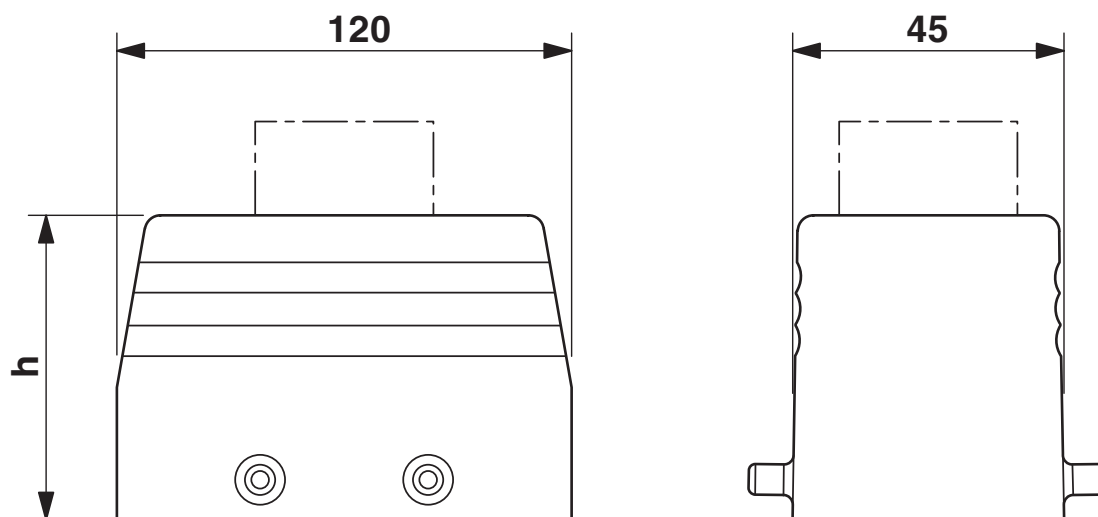


1771765

<https://www.phoenixcontact.com/in/products/1771765>

Drawings

Dimensional drawing



HC-B 24-TFQ-76/M1PG21S - Housing



1771765

<https://www.phoenixcontact.com/in/products/1771765>

Classifications

ECLASS

ECLASS-11.0	27440202
ECLASS-13.0	27440202

HC-B 24-TFQ-76/M1PG21S - Housing



1771765

<https://www.phoenixcontact.com/in/products/1771765>

Environmental product compliance

China RoHS

Environment friendly use period (EFUP)	EFUP-50
	An article-related China RoHS declaration table can be found in the download area for the respective article under "Manufacturer declaration". For all articles with EFUP-E, no China RoHS declaration table issued and required.

EU REACH SVHC

REACH candidate substance (CAS No.)	No substance above 0.1 wt%
-------------------------------------	----------------------------

Phoenix Contact 2024 © - all rights reserved

<https://www.phoenixcontact.com>

PHOENIX CONTACT (I) Pvt. Ltd.

A-58/2, Okhla Industrial Area, Phase - II, New Delhi-110 020

+91.1275.71420

info@phoenixcontact.co.in