

HC-B 24-ESTC - Contact insert

1771752

<https://www.phoenixcontact.com/in/products/1771752>

Please be informed that the data shown in this PDF document is generated from our online catalog. Please find the complete data in the user documentation. Our general terms of use for downloads are valid.



HEAVYCON male insert, B24 series, 24-pos., crimp connection

Commercial data

Item number	1771752
Packing unit	10 pc
Minimum order quantity	1 pc
Product key	BF7ABC
Catalog page	Page 347 (PC-2007)
GTIN	4017918036478
Weight per piece (including packing)	89.99 g
Weight per piece (excluding packing)	89.99 g
Country of origin	DE

HC-B 24-ESTC - Contact insert



1771752

<https://www.phoenixcontact.com/in/products/1771752>

Technical data

Notes

General	For HEAVYCON ADVANCE and HEAVYCON housing of B24 type, crimp contacts CK 2,5-ED (crimp contacts not included in the scope of supply).
---------	---

Mounting

Assembly note	For housings of type B16/B32. Connectors may only be actuated when there is no load/voltage.
---------------	--

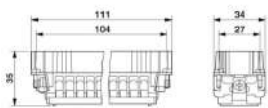
Product properties

Product type	Contact insert with a fixed no. of positions
Type	B24
Number of positions	24
Connection profile	24+PE

Insulation characteristics

Overvoltage category	III
Degree of pollution	3

Dimensions

Dimensional drawing	
Width	34 mm
Height	35.5 mm
Length	111 mm

Connection data

Connection technology

Connection technology	Crimp connection
Connection in acc. with standard	IEC / EN

Conductor connection

Conductor cross section	0.5 mm ² ... 4 mm ²
Connection cross section AWG	20 ... 12
Stripping length of the individual wire	7.5 mm

Electrical properties

Rated voltage (III/3)	500 V
Rated surge voltage	6 kV
Rated current	16 A

HC-B 24-ESTC - Contact insert



1771752

<https://www.phoenixcontact.com/in/products/1771752>

Mechanical properties

Mechanical data

Insertion/withdrawal cycles	≥ 500
-----------------------------	-------

Material specifications

Flammability rating according to UL 94	V0
Contact material	Copper alloy
Contact surface material	Ag (alternatively Au)
Contact carrier material	PA

Environmental and real-life conditions

Ambient conditions

Ambient temperature (operation)	-40 °C ... 125 °C (including heating up of contacts)
---------------------------------	--

Standards and regulations

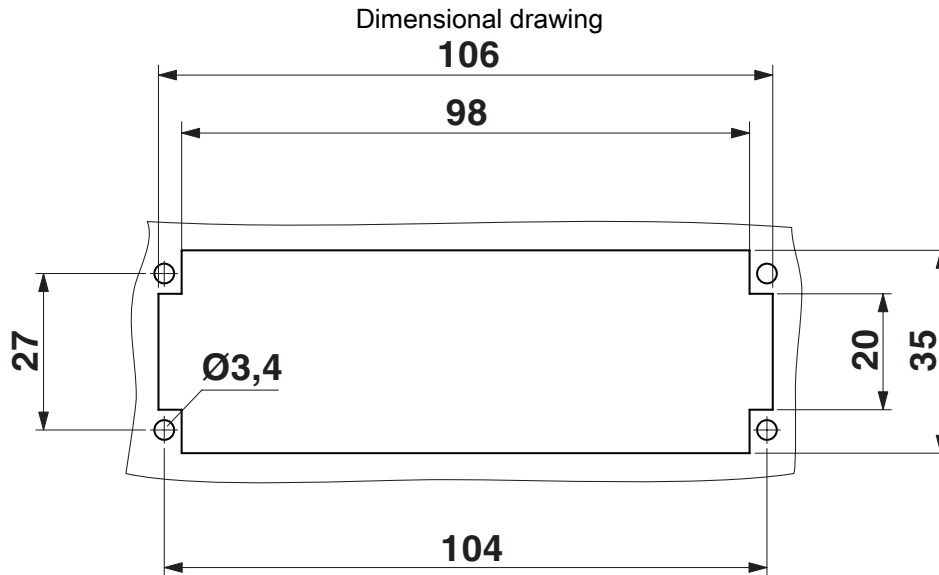
Constructional and testing regulations	DIN VDE 0627/86
	DIN VDE 0110/02.79
	DIN VDE 0110-1/04.97
	IEC 60664-1, DIN IEC 60512
	IEC 60352
Tests	DIN VDE 0627/86
	DIN VDE 0110/02.79
	DIN VDE 0110-1/04.97
	IEC 60664-1, DIN IEC 60512
	IEC 60352

HC-B 24-ESTC - Contact insert

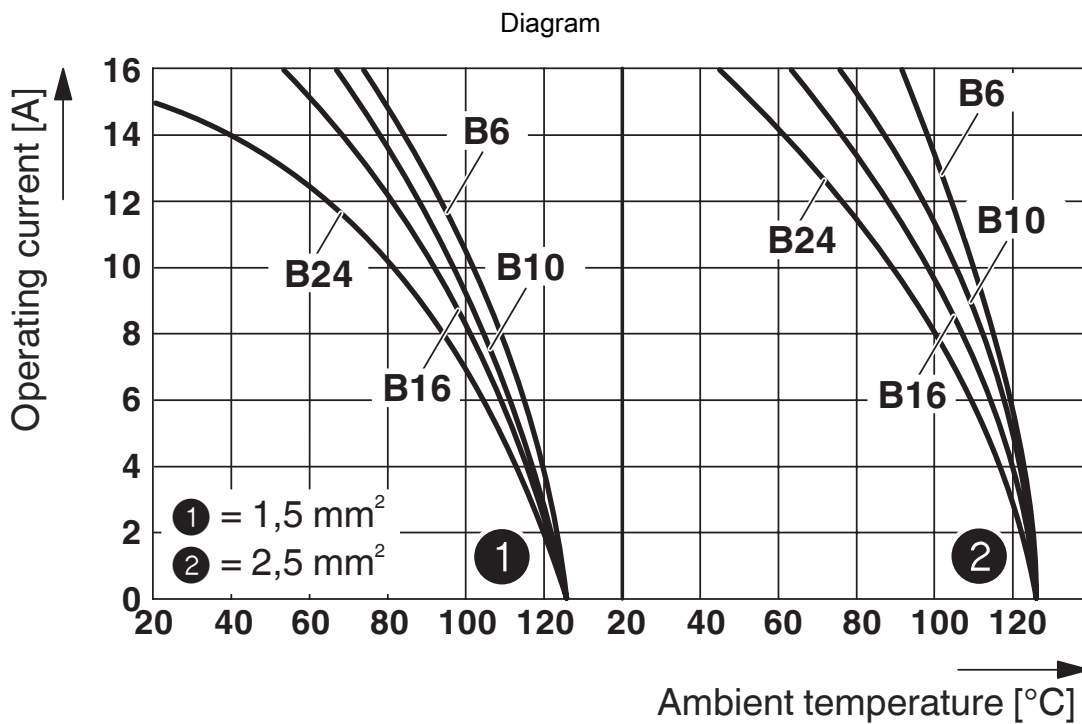
1771752

<https://www.phoenixcontact.com/in/products/1771752>

Drawings



Mounting cutout



Derating diagram

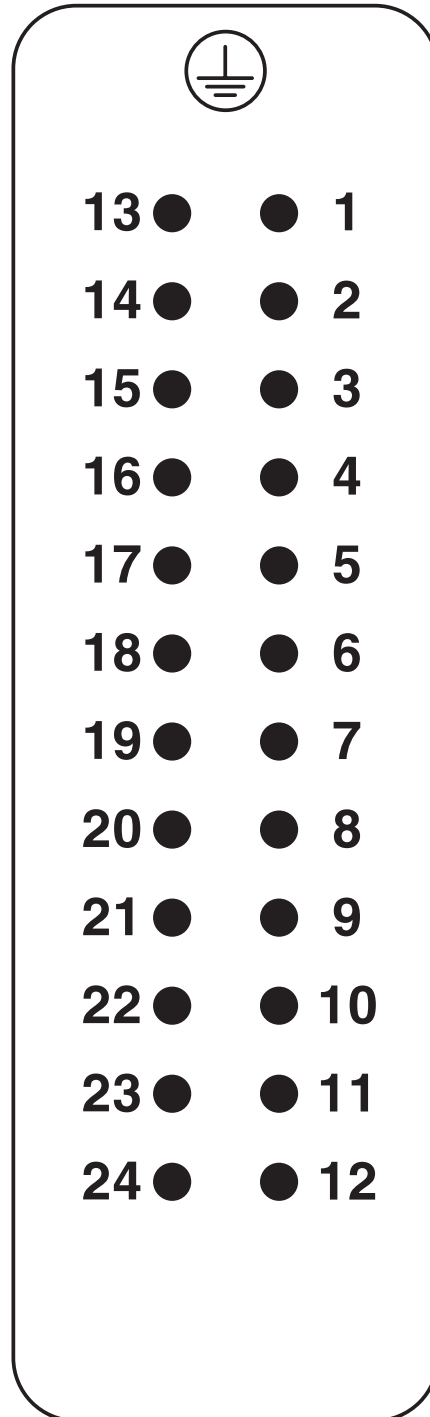
HC-B 24-ESTC - Contact insert

1771752

<https://www.phoenixcontact.com/in/products/1771752>



Schematic diagram



Connector pin assignment, connection side

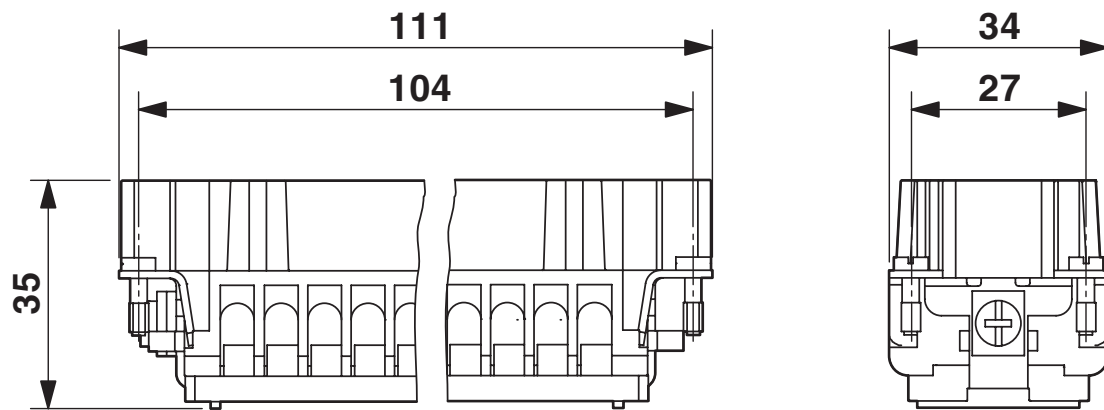
HC-B 24-ESTC - Contact insert

1771752

<https://www.phoenixcontact.com/in/products/1771752>



Dimensional drawing



HC-B 24-ESTC - Contact insert



1771752

<https://www.phoenixcontact.com/in/products/1771752>

Classifications

ECLASS

ECLASS-11.0	27440205
ECLASS-13.0	27440205

HC-B 24-ESTC - Contact insert



1771752

<https://www.phoenixcontact.com/in/products/1771752>

Environmental product compliance

China RoHS

Environment friendly use period (EFUP)	EFUP-50
	An article-related China RoHS declaration table can be found in the download area for the respective article under "Manufacturer declaration". For all articles with EFUP-E, no China RoHS declaration table issued and required.

EU REACH SVHC

REACH candidate substance (CAS No.)	No substance above 0.1 wt%
-------------------------------------	----------------------------

HC-B 24-ESTC - Contact insert

1771752

<https://www.phoenixcontact.com/in/products/1771752>

Accessories

HC-B-PES - Screw

1604997

<https://www.phoenixcontact.com/in/products/1604997>



PE screw, for contact inserts HC-B / HC-BB / HC-DD / HC-D40 / HC-D64

HC-CST - Coding element

1676857

<https://www.phoenixcontact.com/in/products/1676857>



Coding peg for coding up to 16 connectors

HC-B 24-ESTC - Contact insert

1771752

<https://www.phoenixcontact.com/in/products/1771752>



HC-CBU - Coding element

1676860

<https://www.phoenixcontact.com/in/products/1676860>



Coding socket for coding up to 16 connectors

HC-CB - Coding bolt

1772722

<https://www.phoenixcontact.com/in/products/1772722>



Coding pin, prevents mismatching of up to six connectors with an identical number of positions

HC-B 24-ESTC - Contact insert

1771752

<https://www.phoenixcontact.com/in/products/1771752>



HC-B-3PE - PE multiplier

1644326

<https://www.phoenixcontact.com/in/products/1644326>

PE multiplier, for 3 PE connections, for HC-B / HC-BB / HC-DD / HC-D40 / HC-D64 contact inserts



HC-B-ZG - Strain relief clamp

1685327

<https://www.phoenixcontact.com/in/products/1685327>

Strain relief clamps contact inserts of series: B-, BB-, D 40, D 64, DD and HV, straight cable exit



HC-B 24-ESTC - Contact insert

1771752

<https://www.phoenixcontact.com/in/products/1771752>



HC-B-ZS - Strain relief clamp

1685330

<https://www.phoenixcontact.com/in/products/1685330>



Strain relief clamps contact inserts of series: B-, BB-, D 40, D 64, DD and HV, lateral cable exit

CK2,5-ED-BB - Dummy socket

1584693

<https://www.phoenixcontact.com/in/products/1584693>



Dummy socket for contact carrier with turned CK 2,5-ED... socket contacts. For HC-A../HC-BB../HC-M... series contact inserts.

HC-B 24-ESTC - Contact insert

1771752

<https://www.phoenixcontact.com/in/products/1771752>



HC-SMR-B24 - DIN rail mounting frame

1687985

<https://www.phoenixcontact.com/in/products/1687985>



HEAVYCON DIN rail mounting frame, for contact inserts of type B24

UNIFOX RT-CK 2.5 - Contact removal tool

1072067

<https://www.phoenixcontact.com/in/products/1072067>



Contact removal tool, for turned CK 2,5... contacts

HC-B 24-ESTC - Contact insert

1771752

<https://www.phoenixcontact.com/in/products/1771752>



CRIMPFOX-1,6/2,5-ED-4,0 - Crimping pliers

1687419

<https://www.phoenixcontact.com/in/products/1687419>



Crimping pliers, for turned contacts, CK 1.6 ED... and CK 2.5 ED...

Phoenix Contact 2024 © - all rights reserved

<https://www.phoenixcontact.com>

PHOENIX CONTACT (I) Pvt. Ltd.

A-58/2, Okhla Industrial Area, Phase - II, New Delhi-110 020

+91.1275.71420

info@phoenixcontact.co.in