

HC-B 6-AML - Housing



1771134

<https://www.phoenixcontact.com/in/products/1771134>

Please be informed that the data shown in this PDF document is generated from our online catalog. Please find the complete data in the user documentation. Our general terms of use for downloads are valid.

HEAVYCON B6 panel mounting base, with single locking latch, height: 29 mm, with flat gasket



Commercial data

Item number	1771134
Packing unit	10 pc
Minimum order quantity	10 pc
Note	Made to order (non-returnable)
Sales key	BF7
Product key	BF7AAC
Catalog page	Page 488 (C-4-2013)
GTIN	4017918035877
Weight per piece (including packing)	83.7 g
Weight per piece (excluding packing)	80 g
Customs tariff number	85389099
Country of origin	DE

HC-B 6-AML - Housing

1771134

<https://www.phoenixcontact.com/in/products/1771134>

Technical data

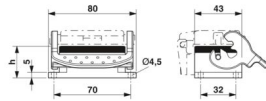
Notes

General	For contact inserts HC-B6, BB10, DD24, M
---------	--

Product properties

Product type	Housing with locking latch
Housing type	Panel mounting base
Application	Standard
Type	B6
Shielded	no
Pg screw connection	none

Dimensions

Dimensional drawing	
Width	43 mm
Height	29 mm
Length	80 mm

Installation dimensions

Width of the assembly cutout	35 mm
Length of the assembly cutout	52 mm

Material specifications

Seal material	NBR CR
Housing material	Die-cast aluminum
Housing surface material	Powder-coated, gray
Locking latch material	Stainless steel, handle: PA

Mechanical properties

Mechanical data

Locking type	Latch
--------------	-------

Connection data

Tightening torque	1.5 Nm ... 2 Nm (Mounting screw)
-------------------	----------------------------------

Environmental and real-life conditions

Ambient conditions

HC-B 6-AML - Housing

1771134

<https://www.phoenixcontact.com/in/products/1771134>



Degree of protection	IP65 (When plugged in)
Ambient temperature (operation)	-40 °C ... 125 °C

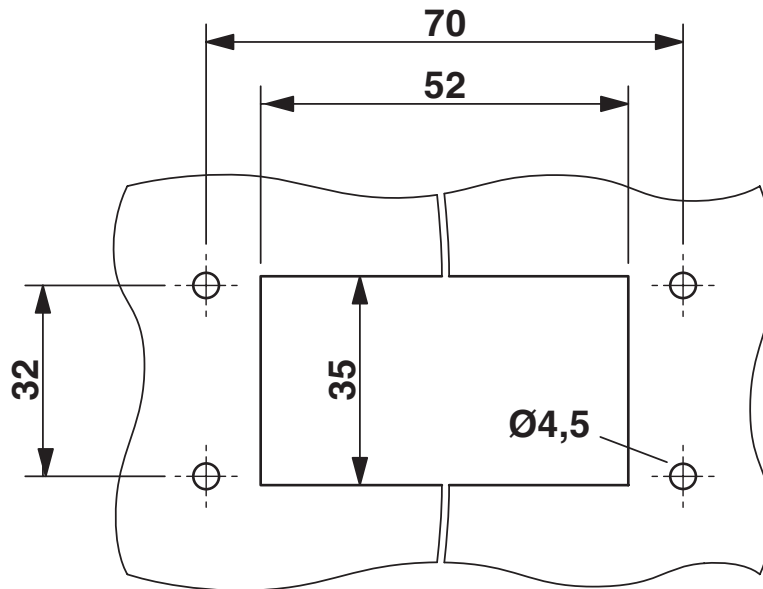
HC-B 6-AML - Housing

1771134

<https://www.phoenixcontact.com/in/products/1771134>

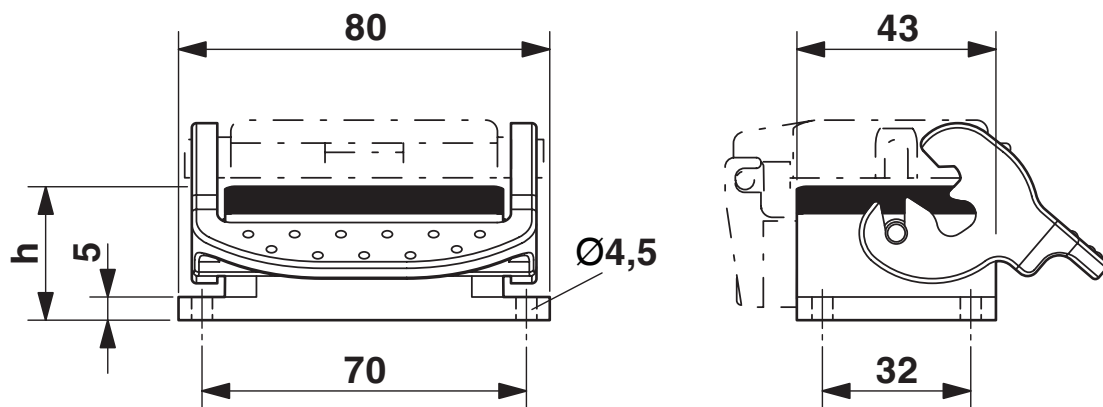
Drawings

Dimensional drawing



Mounting cutout

Dimensional drawing



Dimensional drawing

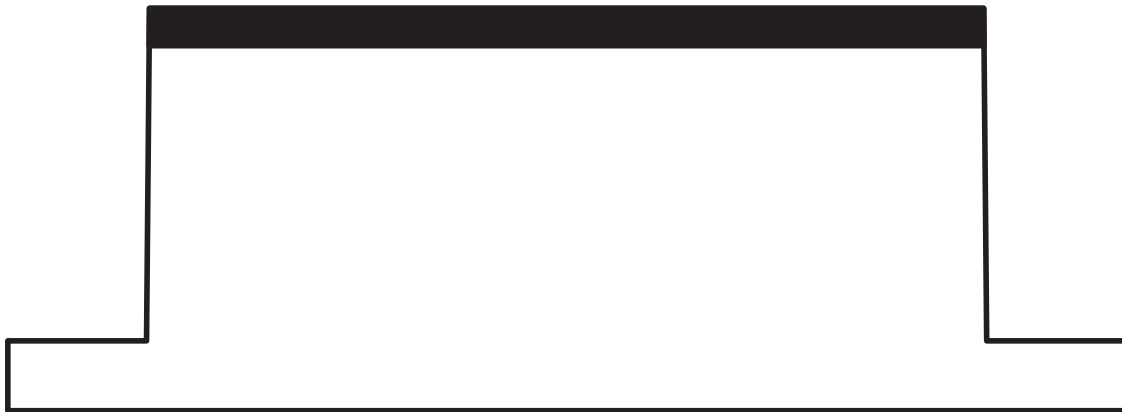
HC-B 6-AML - Housing

1771134

<https://www.phoenixcontact.com/in/products/1771134>



Schematic diagram



HC-B 6-AML - Housing



1771134

<https://www.phoenixcontact.com/in/products/1771134>

Classifications

ECLASS

ECLASS-11.0	27440202
ECLASS-13.0	27440202

UNSPSC

UNSPSC 21.0	31261501
-------------	----------

HC-B 6-AML - Housing

1771134

<https://www.phoenixcontact.com/in/products/1771134>



Environmental product compliance

EU RoHS

Fulfills EU RoHS substance requirements	Yes, No exemptions
---	--------------------

China RoHS

Environment friendly use period (EFUP)	EFUP-E
	No hazardous substances above the limits

EU REACH SVHC

REACH candidate substance (CAS No.)	No substance above 0.1 wt%
-------------------------------------	----------------------------

HC-B 6-AML - Housing

1771134

<https://www.phoenixcontact.com/in/products/1771134>



Accessories

HC-B 6-LB - Housing brackets

1584211

<https://www.phoenixcontact.com/in/products/1584211>



Replacement plastic single locking latch for standard housings of type B6

HC-B 6-PR-DI - Profile gasket

1663022

<https://www.phoenixcontact.com/in/products/1663022>



Profile gasket for type B6 supporting base element

HC-B 6-AML - Housing

1771134

<https://www.phoenixcontact.com/in/products/1771134>



HC-B 6-FL-DI-N - Seal

1411436

<https://www.phoenixcontact.com/in/products/1411436>



Replacement flange seal, for HEAVYCON type B6 panel mounting base, latching, for panel mounting base with snapped-on flat gaskets, not for HC-....EMV housing, color: black

HC-B 6-FL-DI - Flat gasket

1663019

<https://www.phoenixcontact.com/in/products/1663019>



Replacement flange seal, for HEAVYCON panel mounting base of type B 6, self-adhesive, not for HC-....EMC housings, color: Black

Phoenix Contact 2024 © - all rights reserved
<https://www.phoenixcontact.com>

PHOENIX CONTACT (I) Pvt. Ltd.
A-58/2, Okhla Industrial Area, Phase - II, New Delhi-110 020

+91.1275.71420
info@phoenixcontact.co.in