

# PTSPL-6/1-2X2 2,9 R32 - PCB terminal block



1704837

<https://www.phoenixcontact.com/in/products/1704837>

Please be informed that the data shown in this PDF document is generated from our Online Catalog. Please find the complete data in the user documentation. Our General Terms of Use for Downloads are valid.



PCB terminal block for tin-plated flexible cables, e.g., type PV 1-F, nominal current: 41 A, number of positions: 1, connection method: spring-cage connection, mounting: THT/THR, for user information for through-hole reflow technology, go to: [combicon.com](http://combicon.com)

## Your advantages

- Able to perform without insulating elements: ideal for easy integration into the SMT soldering process
- Tool-free spring principle enables time-saving connection of conductors with ferrules and tinned conductors
- Defined contact force ensures that contact remains stable over the long term

## Commercial Data

Item number	1704837
Packing unit	250 pc
Minimum order quantity	250 pc
Sales Key	AAN
Product Key	AANCBA
Catalog Page	Page 475 (C-1-2013)
GTIN	4046356739993
Weight per Piece (including packing)	3.22 g
Weight per Piece (excluding packing)	1.5 g
Customs tariff number	85369010
Country of origin	DE

## Technical Data

### Product properties

Product line	COMBICON Terminals L
Product type	Printed circuit board terminal
Product family	PTSPL 6/..
Number of positions	1
Pitch	0 mm
Number of connections	1
Number of rows	1
Number of potentials	1
Pin layout	Linear pinning
Solder pins per potential	4

### Electrical properties

Nominal current $I_N$	41 A
Degree of pollution	3

### Connection data

#### Connection technology

Type	Circular conductor connection, single-pos.
Nominal cross section	6 mm <sup>2</sup>

#### Conductor connection

Connection method	Push-in spring connection
Conductor cross section flexible	2.5 mm <sup>2</sup> ... 6 mm <sup>2</sup> (Conductors with tin-plated litz wires are to be used, for example type PV1-F.)
Conductor cross section flexible, with ferrule without plastic sleeve	2.5 mm <sup>2</sup> ... 6 mm <sup>2</sup>
Stripping length	12 mm ... 15 mm

### Mounting

Mounting type	THR soldering / wave soldering
Pin layout	Linear pinning

### Material specifications

#### Material data - contact

Note	WEEE/RoHS-compliant, free of whiskers according to IEC 60068-2-82/JEDEC JESD 201
Contact material	Cu alloy
Surface characteristics	hot-dip tin-plated
Metal surface terminal point (top layer)	Tin (4 - 8 μm Sn)
Metal surface soldering area (top layer)	Tin (4 - 8 μm Sn)

# PTSPL-6/1-2X2 2,9 R32 - PCB terminal block



1704837

<https://www.phoenixcontact.com/in/products/1704837>

## Material data - housing

Color ()	()
----------	----

## Material data – actuating element

Color ()	()
----------	----

## Dimensions

Dimensional drawing	
Pitch	0 mm
Width [w]	8.7 mm
Height [h]	13.7 mm
Length [l]	14.95 mm
Installed height	10.8 mm
Solder pin length [P]	2.9 mm

## Mechanical tests

### Test for conductor damage and slackening

Specification	IEC 60999-1:1999-11
Result	Test passed

### Pull-out test

Specification	IEC 60999-1:1999-11
Conductor cross section/conductor type/tractive force setpoint/actual value	2.5 mm <sup>2</sup> / stranded PV1-F / > 50 N 6 mm <sup>2</sup> / stranded PV1-F / > 80 N

## Electrical tests

### Temperature-rise test

Specification	60947-7-4/FDIS © IEC 2012
Requirement temperature-rise test	Increase in temperature ≤ 45 K

### Temperature cycles

Specification	IEC 60999-1:1999-11
Result	Test passed

## Environmental and real-life conditions

### Vibration test

Specification	IEC 60068-2-6:2007-12
Frequency	10 - 150 - 10 Hz
Sweep speed	1 octave/min

# PTSPL-6/1-2X2 2,9 R32 - PCB terminal block



1704837

<https://www.phoenixcontact.com/in/products/1704837>

Amplitude	0.35 mm (10 Hz ... 60.1 Hz)
Sweep speed	5g (60.1 Hz ... 150 Hz)
Test duration per axis	2.5 h

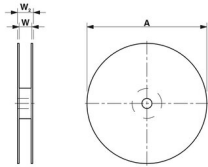
## Shocks

Specification	IEC 60068-2-27:2008-02
Pulse shape	Semi-sinusoidal
Acceleration	30g
Shock duration	18 ms
Test directions	X-, Y- and Z-axis (pos. and neg.)

## Ambient conditions

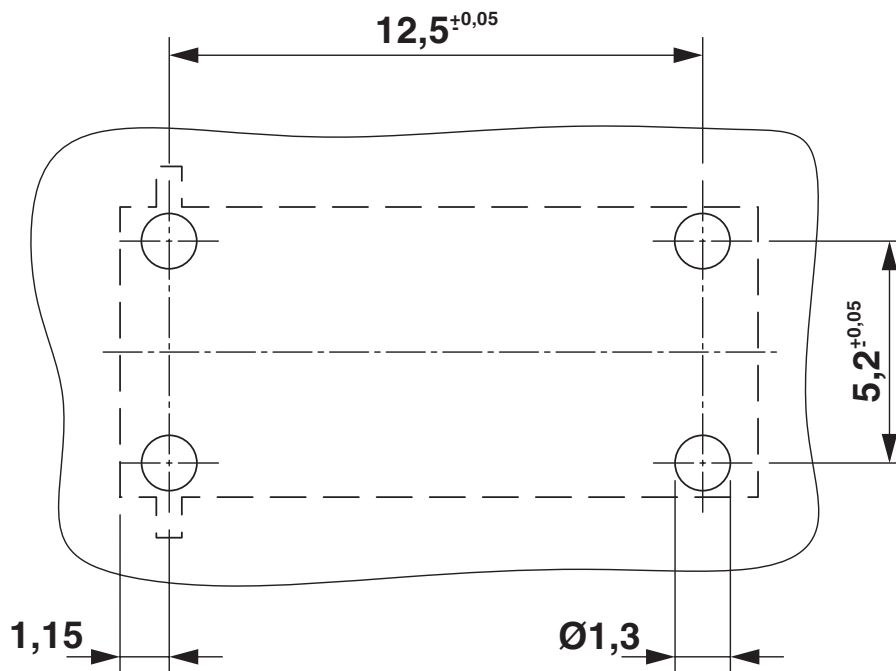
Ambient temperature (operation)	-40 °C ... 100 °C (Depending on the current carrying capacity/derating curve)
Ambient temperature (storage/transport)	-40 °C ... 70 °C
Relative humidity (storage/transport)	30 % ... 70 %
Ambient temperature (assembly)	-5 °C ... 100 °C

## Packaging specifications

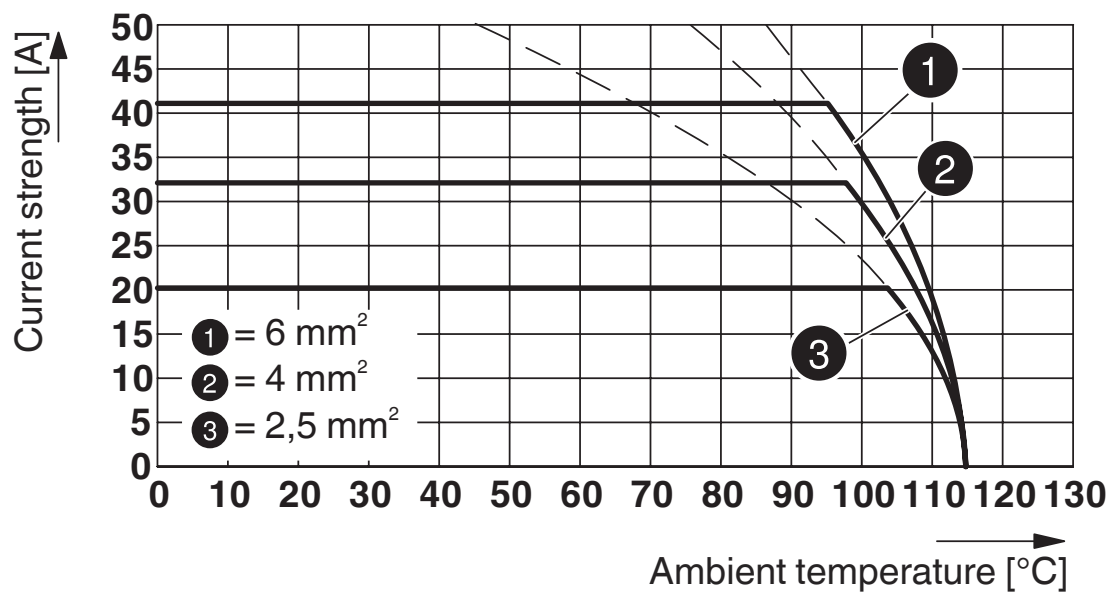
Dimensional drawing	
Type of packaging	32 mm wide tape
[W] tape width	32 mm
[W2] coil overall dimension	38.4 mm
[A] coil diameter	330 mm
Outer packaging type	Transparent-Bag
ESD level	(D) electrostatically conductive
Specification	DIN EN 61340-5-1 (VDE 0300-5-1): 2008-07

Drawings

Drilling plan/solder pad geometry



Diagram



Type: PTSPL(O)-6/1-2X2 ... R32

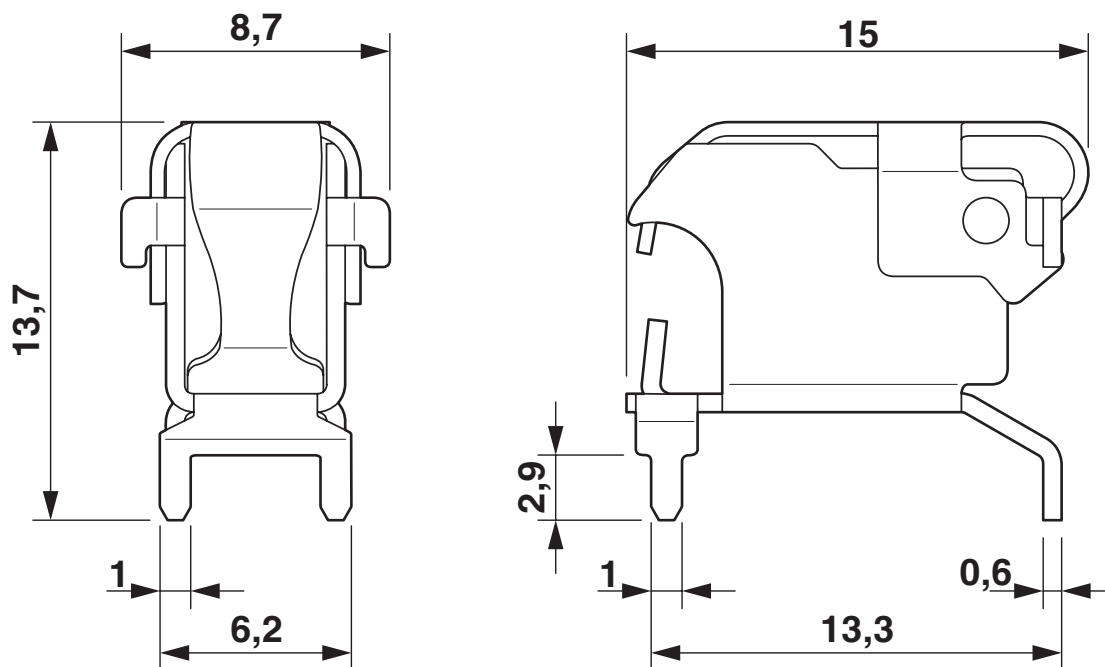
# PTSPL-6/1-2X2 2,9 R32 - PCB terminal block



1704837

<https://www.phoenixcontact.com/in/products/1704837>

Dimensional drawing



# PTSPL-6/1-2X2 2,9 R32 - PCB terminal block



1704837

<https://www.phoenixcontact.com/in/products/1704837>

## Approvals



**EAC**

Approval ID: B.01687



**cULus Recognized**

Approval ID: E365246-20141111

	Nominal Voltage $U_N$	Nominal Current $I_N$	Cross Section AWG	Cross Section $\text{mm}^2$
	-	30 A	14 - 10	-

# PTSPL-6/1-2X2 2,9 R32 - PCB terminal block



1704837

<https://www.phoenixcontact.com/in/products/1704837>

## Classifications

### ECLASS

ECLASS-11.0	27460101
ECLASS-12.0	27460101
ECLASS-13.0	27460101

### ETIM

ETIM 8.0	EC002643
----------	----------

### UNSPSC

UNSPSC 21.0	39121400
-------------	----------



# PTSPL-6/1-2X2 2,9 R32 - PCB terminal block



1704837

<https://www.phoenixcontact.com/in/products/1704837>

## Environmental Product Compliance

China RoHS	Environmentally friendly use period: unlimited = EFUP-e
	No hazardous substances above threshold values

# PTSPL-6/1-2X2 2,9 R32 - PCB terminal block



1704837

<https://www.phoenixcontact.com/in/products/1704837>

## Accessories

### SZF 1-0,6X3,5 - Screwdriver

1204517

<https://www.phoenixcontact.com/in/products/1204517>



Actuation tool, for ST terminal blocks, also suitable for use as a bladed screwdriver, size: 0.6 x 3.5 x 100 mm, 2-component grip, with non-slip grip

---

### CRIMPFOX 6 - Crimping pliers

1212034

<https://www.phoenixcontact.com/in/products/1212034>



Crimping pliers, for ferrules without insulating collar according to DIN 46228 Part 1 and ferrules with insulating collar according to DIN 46228 Part 4, 0.25 mm<sup>2</sup> ... 6.0 mm<sup>2</sup>, lateral entry, trapezoidal crimp

---

Phoenix Contact 2023 © - all rights reserved

<https://www.phoenixcontact.com>

PHOENIX CONTACT (I) Pvt. Ltd.

A-58/2, Okhla Industrial Area, Phase - II, New Delhi-110 020

+91.1275.71420

[info@phoenixcontact.co.in](mailto:info@phoenixcontact.co.in)