

# SAC-3P-M12MS/5,0-PUR/M12FS - Sensor/actuator cable



1693021

<https://www.phoenixcontact.com/in/products/1693021>

Please be informed that the data shown in this PDF document is generated from our Online Catalog. Please find the complete data in the user documentation. Our General Terms of Use for Downloads are valid.



Sensor/actuator cable, 3-position, PUR halogen-free, black-gray RAL 7021, Plug straight M12, coding: A, on Socket straight M12, coding: A, cable length: 5 m

## Commercial Data

|                                      |               |
|--------------------------------------|---------------|
| Item number                          | 1693021       |
| Packing unit                         | 1 pc          |
| Minimum order quantity               | 1 pc          |
| Sales Key                            | BF1           |
| Product Key                          | BF1CBA        |
| GTIN                                 | 4017918423933 |
| Weight per Piece (including packing) | 121.2 g       |
| Weight per Piece (excluding packing) | 120 g         |
| Customs tariff number                | 85444290      |
| Country of origin                    | DE            |

# SAC-3P-M12MS/5,0-PUR/M12FS - Sensor/actuator cable



1693021

<https://www.phoenixcontact.com/in/products/1693021>

## Technical Data

### Product properties

|                      |                       |
|----------------------|-----------------------|
| Product type         | Sensor/actuator cable |
| Number of positions  | 3                     |
| No. of cable outlets | 1                     |
| Shielded             | no                    |
| Coding               | A                     |

### Insulation characteristics

|                      |    |
|----------------------|----|
| Overvoltage category | II |
| Degree of pollution  | 3  |

### Material specifications

|  |   |
|--|---|
| Flammability rating according to UL 94 | HB  |
| Seal material                          | NBR   |
| Material of grip body                  | TPU, hardly inflammable, self-extinguishing |
| Contact material                       | CuSn  |
| Contact surface material               | Ni/Au                                       |
| Contact carrier material               | TPU GF                                      |
| Material for screw connection          | Zinc die-cast, nickel-plated                |

### Electrical properties

|                       |                            |
|-----------------------|----------------------------|
| Contact resistance    | $\leq 5 \text{ m}\Omega$   |
| Insulation resistance | $\geq 100 \text{ M}\Omega$ |
| Nominal voltage $U_N$ | 250 V AC                   |
|                       | 250 V DC                   |
| Nominal current $I_N$ | 4 A                        |

### Mechanical properties

#### Mechanical data

|                             |            |
|-----------------------------|------------|
| Insertion/withdrawal cycles | $\geq 100$ |
|-----------------------------|------------|

### Signaling

|                        |    |
|------------------------|----|
| Status display         | No |
| Status display present | No |

### Connection data

#### Conductor connection

|                   |        |
|-------------------|--------|
| Tightening torque | 0.4 Nm |
|-------------------|--------|

### Connector

#### Connection 1

# SAC-3P-M12MS/5,0-PUR/M12FS - Sensor/actuator cable



1693021

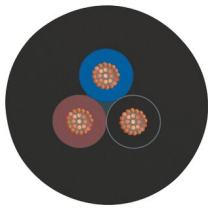
<https://www.phoenixcontact.com/in/products/1693021>

|              |   |
|--------------|---|
| Coding type  | A |
| Connection 2 |   |
| Coding type  | A |

## Cable/line

|              |     |
|--------------|-----|
| Cable length | 5 m |
|--------------|-----|

PUR halogen-free black [PUR]

|   |  |
|---|--|
| Dimensional drawing                           |  |
| Cable weight                                  | 23 kg/km   |
| UL AWM Style                                  | 20549  |
| Number of positions                           | 3  |
| Shielded                                      | no   |
| Cable type                                    | PUR halogen-free black [PUR]   |
| Conductor structure signal line               | 42x 0.10 mm  |
| AWG signal line                               | 22   |
| Conductor cross section                       | 3x 0.34 mm <sup>2</sup> (Signal line)  |
| Wire diameter incl. insulation                | 1.27 mm ±0.02 mm (Signal line)   |
| External cable diameter                       | 3.85 mm ±0.15 mm   |
| Outer sheath, material                        | PUR  |
| External sheath, color                        | black-gray RAL 7021  |
| Conductor material                            | Bare Cu litz wires   |
| Material wire insulation                      | PP   |
| Single wire, color                            | brown, blue, black   |
| Thickness, insulation                         | ≥ 0.21 mm (Core insulation)<br>approx. 0.5 mm (Outer cable sheath)                 |
| Overall twist                                 | 3 wires, twisted   |
| Max. conductor resistance                     | max. 58 Ω/km (at 20 °C)  |
| Insulation resistance                         | ≥ 100 GΩ*km (at 20 °C)   |
| Nominal voltage, cable                        | ≤ 300 V  |
| Test voltage                                  | ≥ 3000 V   |
| Smallest bending radius, fixed installation   | 19 mm  |
| Smallest bending radius, movable installation | 38 mm  |
| Max. bending cycles                           | 10000000   |
| Halogen-free                                  | in accordance with DIN VDE 0472 part 815   |
| Flame resistance                              | in accordance with UL 758/1581 FT2<br>DIN EN 60332-2-2 (20 s)                      |

# SAC-3P-M12MS/5,0-PUR/M12FS - Sensor/actuator cable



1693021

<https://www.phoenixcontact.com/in/products/1693021>

|                                 |   |
|---------------------------------|---|
| Resistance to oil               | in accordance with DIN EN 60811-2-1                                 |
| Other resistance                | Highly resistant to acids, alkaline solutions and solvents          |
|                                 | hydrolysis and microbe resistant                                    |
|                                 | partly UV-resistant in accordance with DIN EN ISO 4892-2-A          |
| Special properties              | Flexible cable conduit capable                                      |
|                                 | Silicone-free   |
|                                 | Free of substances which would hinder coating with paint or varnish |
| Ambient temperature (operation) | -40 °C ... 80 °C (cable, fixed installation)                        |
|                                 | -25 °C ... 80 °C (Cable, flexible installation)                     |

## Environmental and real-life conditions

### Ambient conditions

|                                 |  |
|---------------------------------|--|
| Degree of protection            | IP65   |
|                                 | IP67   |
|                                 | IP68   |
| Ambient temperature (operation) | -25 °C ... 90 °C (Plug / socket)               |
|                                 | -40 °C ... 80 °C (cable, fixed installation)   |
|                                 | -5 °C ... 80 °C (Cable, flexible installation) |

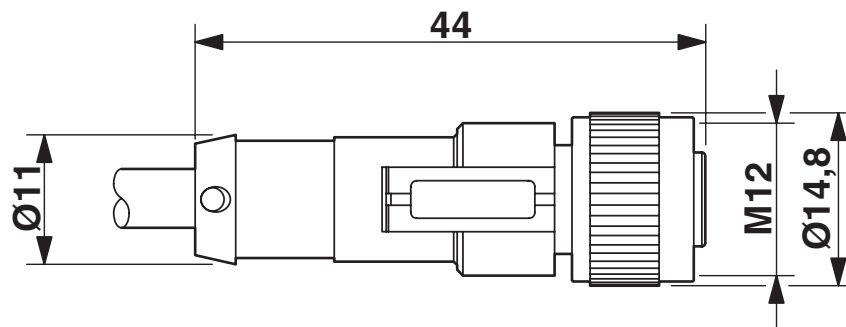
# SAC-3P-M12MS/5,0-PUR/M12FS - Sensor/actuator cable

1693021

<https://www.phoenixcontact.com/in/products/1693021>

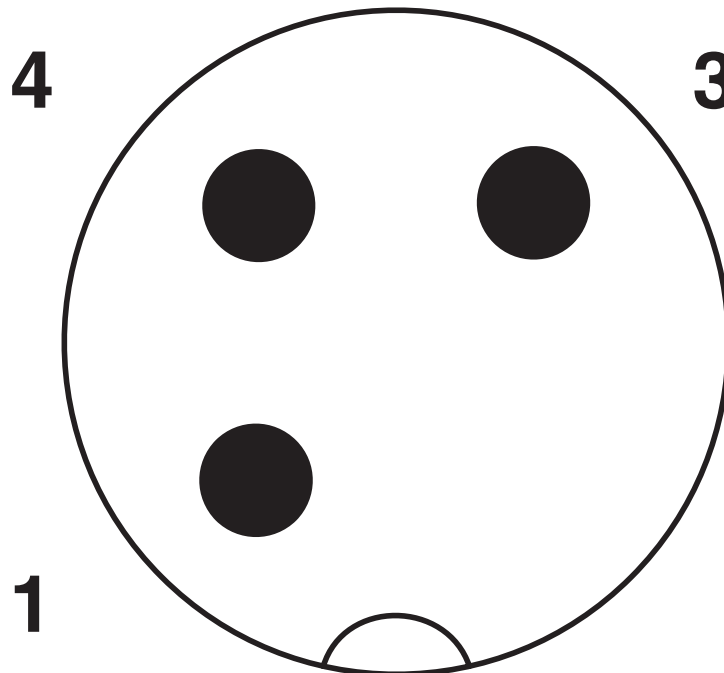
## Drawings

Dimensional drawing



M12 x 1 socket, straight

Schematic diagram



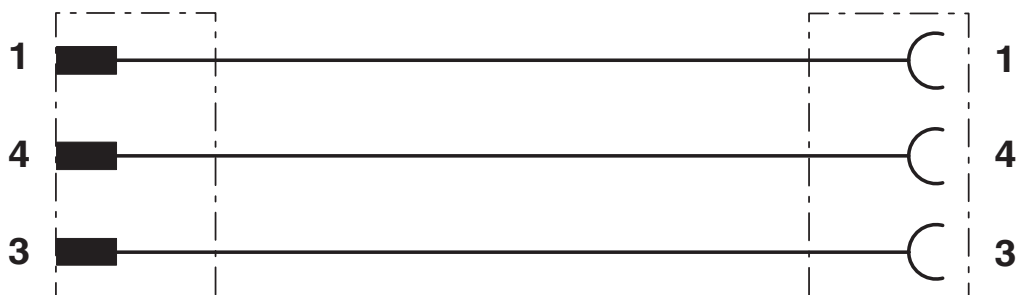
Pin assignment M12 plug, 3-pos., A-coded, view male side

# SAC-3P-M12MS/5,0-PUR/M12FS - Sensor/actuator cable

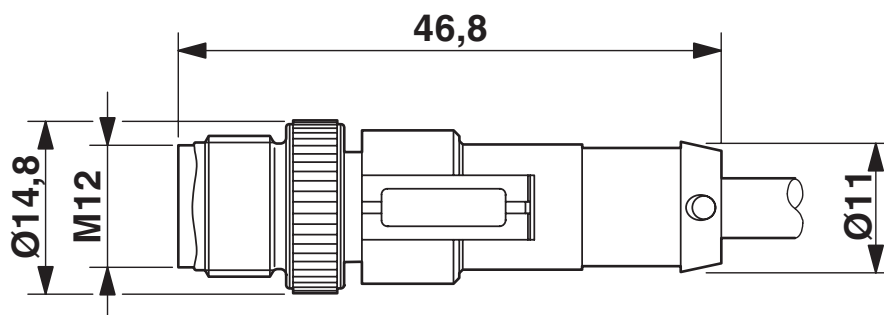
1693021

<https://www.phoenixcontact.com/in/products/1693021>

Circuit diagram



Dimensional drawing



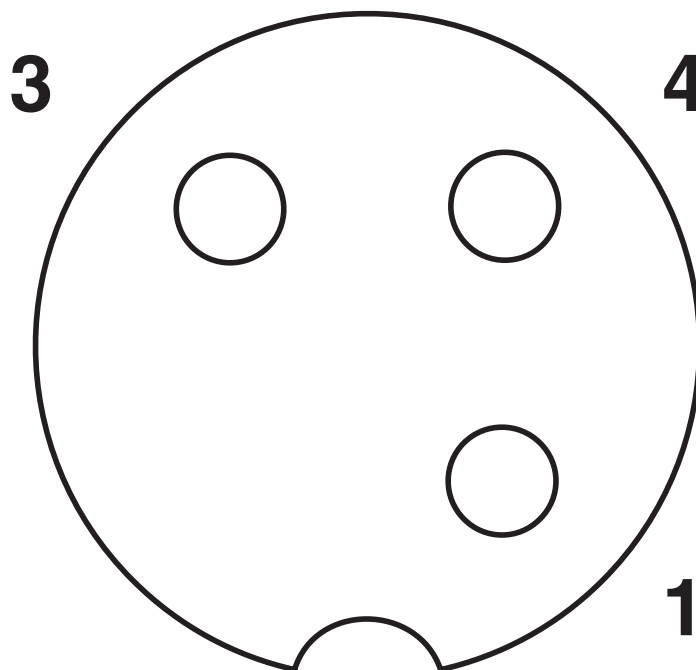
Plug, M12 x 1, straight, shielded

# SAC-3P-M12MS/5,0-PUR/M12FS - Sensor/actuator cable

1693021

<https://www.phoenixcontact.com/in/products/1693021>

Schematic diagram



Pin assignment M12 socket, 3-pos., A-coded, view female side

# SAC-3P-M12MS/5,0-PUR/M12FS - Sensor/actuator cable



1693021

<https://www.phoenixcontact.com/in/products/1693021>

## Approvals



**EAC**

Approval ID: RU C-DE.BL08.B.00286



**UL Listed**

Approval ID: FILE E 221474

|  | Nominal Voltage $U_N$ | Nominal Current $I_N$ | Cross Section AWG | Cross Section $\text{mm}^2$ |
|--|-----------------------|-----------------------|-------------------|-----------------------------|
|  | 300 V                 | 4 A                   | -                 | -                           |



**cUL Listed**

Approval ID: FILE E 221474

|  | Nominal Voltage $U_N$ | Nominal Current $I_N$ | Cross Section AWG | Cross Section $\text{mm}^2$ |
|--|-----------------------|-----------------------|-------------------|-----------------------------|
|  | 300 V                 | 4 A                   | -                 | -                           |



**EAC**

Approval ID: RU D-DE.HB35.B.00387



# SAC-3P-M12MS/5,0-PUR/M12FS - Sensor/actuator cable



1693021

<https://www.phoenixcontact.com/in/products/1693021>

## Classifications

### ECLASS

|             |          |
|-------------|----------|
| ECLASS-11.0 | 27060311 |
| ECLASS-12.0 | 27060311 |
| ECLASS-13.0 | 27060311 |

### ETIM

|          |          |
|----------|----------|
| ETIM 8.0 | EC001855 |
|----------|----------|

### UNSPSC

|             |          |
|-------------|----------|
| UNSPSC 21.0 | 26121600 |
|-------------|----------|

# SAC-3P-M12MS/5,0-PUR/M12FS - Sensor/actuator cable



1693021

<https://www.phoenixcontact.com/in/products/1693021>

## Environmental Product Compliance

|            |   |
|------------|---|
| China RoHS | Environmentally friendly use period: unlimited = EFUP-e |
|            | No hazardous substances above threshold values          |

# SAC-3P-M12MS/5,0-PUR/M12FS - Sensor/actuator cable



1693021

<https://www.phoenixcontact.com/in/products/1693021>

## Accessories

### PROT-M12 FS-PA-CHAIN - Sealing cap

1430873

<https://www.phoenixcontact.com/in/products/1430873>

M12 sealing cap made of plastic with fixing band, for sensor cables, for free M12 plugs



---

### SAC-M12-EXCLIP-M - Locking clip

1558988

<https://www.phoenixcontact.com/in/products/1558988>

Locking clip for the pin side of sensor/actuator cables with M12 connector and M12 connectors for assembly, for knurl diameter: 15 mm or for Allen key with a wrench size of 14 mm, prevents the disconnection of plug-in connections without tools



# SAC-3P-M12MS/5,0-PUR/M12FS - Sensor/actuator cable



1693021

<https://www.phoenixcontact.com/in/products/1693021>

## PABA WH/23 - Insert label

1013779

<https://www.phoenixcontact.com/in/products/1013779>



Insert label, Strip, white, unlabeled, can be labeled with: CMS-P1-PLOTTER, mounting type: slide-on, cable diameter range: 1.5 ... 35 mm, lettering field size: 23 x 4 mm, Number of individual labels: 20

---

## PABA YE/23 - Insert label

1013782

<https://www.phoenixcontact.com/in/products/1013782>



Insert label, Strip, yellow, unlabeled, can be labeled with: CMS-P1-PLOTTER, mounting type: slide-on, cable diameter range: 1.5 ... 35 mm, lettering field size: 23 x 4 mm, Number of individual labels: 20

# SAC-3P-M12MS/5,0-PUR/M12FS - Sensor/actuator cable



1693021

<https://www.phoenixcontact.com/in/products/1693021>

## B-STIFT - Marker pen

1051993

<https://www.phoenixcontact.com/in/products/1051993>



Marker pen, for manual labeling of unprinted Zack strips, smear-proof and waterproof, line thickness 0.5 mm

---

## PROT-M12 MS-PA-CHAIN - Screw plug

1430899

<https://www.phoenixcontact.com/in/products/1430899>

M12 sealing cap with fixing band, for sensor cables, for free M12 sockets



# SAC-3P-M12MS/5,0-PUR/M12FS - Sensor/actuator cable



1693021

<https://www.phoenixcontact.com/in/products/1693021>

## SAC-M12-EXCLIP-F - Locking clip

1558991

<https://www.phoenixcontact.com/in/products/1558991>



Locking clip for the socket side of sensor/actuator cables with M12 connector and M12 connectors for assembly, for knurl diameter: 15 mm or for Allen key with a wrench size of 14 mm, prevents the disconnection of plug-in connections without tools

---

## TSD 04 SAC - Torque screwdriver

1208429

<https://www.phoenixcontact.com/in/products/1208429>



Torque screwdriver, with preset torque of 0.4 Nm and 4 mm hexagonal drive for M12 connectors

# SAC-3P-M12MS/5,0-PUR/M12FS - Sensor/actuator cable



1693021

<https://www.phoenixcontact.com/in/products/1693021>

## TSD-M 1,2NM - Torque screwdriver

1212224

<https://www.phoenixcontact.com/in/products/1212224>



Torque screw driver, accuracy as per EN ISO 6789 standard, adjustable from 0.3 - 1.2 Nm

---

## TSD-M SAC-BIT ADAPTER - Adapter insert

1212600

<https://www.phoenixcontact.com/in/products/1212600>



Adapter bit for TSD-M...torque tools, E6.3-1/4" drive with 4 mm hexagon to accommodate SAC bits

# SAC-3P-M12MS/5,0-PUR/M12FS - Sensor/actuator cable



1693021

<https://www.phoenixcontact.com/in/products/1693021>

## SAC BIT M12-D15 - Tool

1208432

<https://www.phoenixcontact.com/in/products/1208432>



Nut for assembling sensor/actuator cables with M12 connector and M12 connectors for assembly, with a knurl diameter of 15 mm, for 4 mm hexagonal drive

---

Phoenix Contact 2023 © - all rights reserved

<https://www.phoenixcontact.com>

PHOENIX CONTACT (I) Pvt. Ltd.

A-58/2, Okhla Industrial Area, Phase - II, New Delhi-110 020

+91.1275.71420

[info@phoenixcontact.co.in](mailto:info@phoenixcontact.co.in)