

VS-25-T-2M20 - D-SUB sleeve housings



1689792

<https://www.phoenixcontact.com/in/products/1689792>

Please be informed that the data shown in this PDF document is generated from our online catalog. Please find the complete data in the user documentation. Our general terms of use for downloads are valid.

D-SUB sleeve housing, shell size 3, IP67 degree of protection



Commercial data

Item number	1689792
Packing unit	5 pc
Minimum order quantity	5 pc
Sales key	ABN
Product key	ABNCBA
Catalog page	Page 219 (C-2-2013)
GTIN	4017918915476
Weight per piece (including packing)	45.96 g
Weight per piece (excluding packing)	42.8 g
Customs tariff number	85389099
Country of origin	DE

Technical data

Notes

Safety note

Safety note	<p>WARNING: The connectors may not be plugged in or disconnected under load. Ignoring the warning or improper use may damage persons and/or property.</p>
	<ul style="list-style-type: none">• WARNING: Commission properly functioning products only. The products must be regularly inspected for damage. Decommission defective products immediately. Replace damaged products. Repairs are not possible.
	<ul style="list-style-type: none">• WARNING: Only electrically qualified personnel may install and operate the product. They must observe the following safety notes. The qualified personnel must be familiar with the basics of electrical engineering. They must be able to recognize and prevent danger. The relevant symbol on the packaging indicates that only personnel familiar with electrical engineering are allowed to install and operate the product.
	<ul style="list-style-type: none">• The products are suitable for applications in plant, controller, and electrical device engineering.
	<ul style="list-style-type: none">• When operating the connectors in outdoor applications, they must be separately protected against environmental influences.
	<ul style="list-style-type: none">• Assembled products may not be manipulated or improperly opened.
	<ul style="list-style-type: none">• Only use mating connectors that are specified in the technical data of the standards listed (e.g. the ones listed in the product accessories online at phoenixcontact.com/products).
	<ul style="list-style-type: none">• When using the product in direct connection with third-party manufacturers, the user is responsible.
	<ul style="list-style-type: none">• For operating voltages > 50 V AC, conductive connector housings must be grounded
	<ul style="list-style-type: none">• Only use tools recommended by Phoenix Contact
	<ul style="list-style-type: none">• The installation notes/Design In documents online on the download page at phoenixcontact.com/products must be observed for this product.
	<ul style="list-style-type: none">• Use a protective cap to protect connectors that are not in use. The suitable accessories are available online in the accessory section of the product at phoenixcontact.com/products
	<ul style="list-style-type: none">• Operate the connector only when it is fully plugged in and interlocked.
	<ul style="list-style-type: none">• Operate the connector only when it is fully plugged in.
	<ul style="list-style-type: none">• Ensure that when laying the cable, the tensile load on the connectors does not exceed the upper limit specified in the standards.
<ul style="list-style-type: none">• Observe the minimum bending radius of the cable. Lay the cable without twisting it.	
<ul style="list-style-type: none">• VDE 0100/1.97 § 411.1.3.2 and DIN EN 60 204/11.98 § 14.1.3 are applicable when combining several circuits in a cable and/or connector	

Product properties

VS-25-T-2M20 - D-SUB sleeve housings

1689792

<https://www.phoenixcontact.com/in/products/1689792>

Product type	Sleeve housings
Type	D-SUB
No. of cable outlets	2
Type of the screw connection	M20
Cable outlet	angled

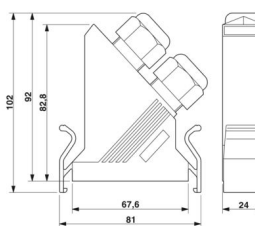
Data management status

Article revision	04
------------------	----

Insulation characteristics

Degree of pollution	2
---------------------	---

Dimensions

Dimensional drawing	
Width	81 mm
Height	24 mm
Length	102 mm

Material specifications

Color	gray
Flammability rating according to UL 94	V0
Housing material	PA

Cable/line

External cable diameter	5 mm ... 13 mm
-------------------------	----------------

Mechanical properties

Mechanical data

Type of the screw connection	M20
Insertion/withdrawal cycles	≥ 1000

Environmental and real-life conditions

Ambient conditions

Degree of protection	IP67
Ambient temperature (operation)	-40 °C ... 80 °C

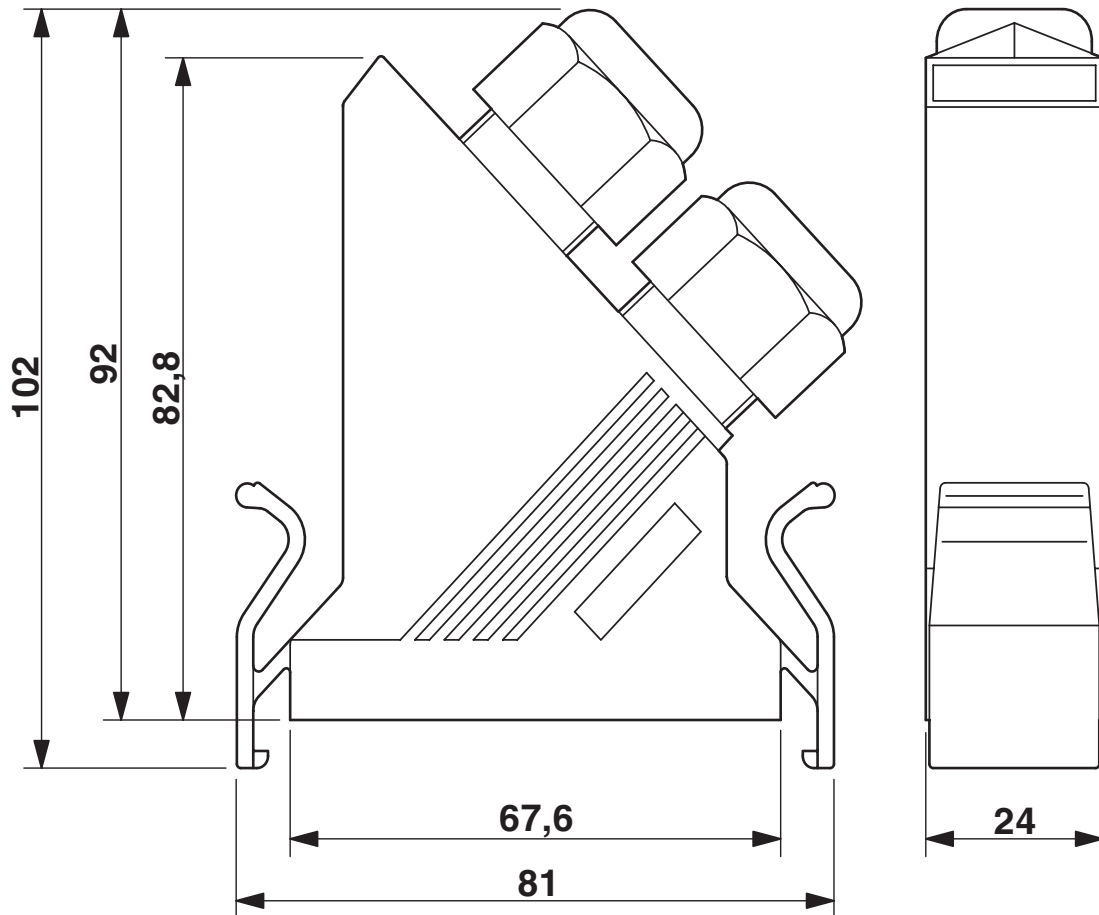
VS-25-T-2M20 - D-SUB sleeve housings

1689792

<https://www.phoenixcontact.com/in/products/1689792>

Drawings

Dimensional drawing



D-SUB sleeve housings

VS-25-T-2M20 - D-SUB sleeve housings



1689792

<https://www.phoenixcontact.com/in/products/1689792>

Classifications

ECLASS

ECLASS-11.0	27440202
ECLASS-12.0	27440202
ECLASS-13.0	27440202

ETIM

ETIM 9.0	EC000437
----------	----------

UNSPSC

UNSPSC 21.0	31261500
-------------	----------

VS-25-T-2M20 - D-SUB sleeve housings



1689792

<https://www.phoenixcontact.com/in/products/1689792>

Environmental product compliance

EU RoHS

Fulfills EU RoHS substance requirements	Yes, No exemptions
---	--------------------

China RoHS

Environment friendly use period (EFUP)	EFUP-E
	No hazardous substances above the limits

EU REACH SVHC

REACH candidate substance (CAS No.)	No substance above 0.1 wt%
-------------------------------------	----------------------------

VS-25-T-2M20 - D-SUB sleeve housings

1689792

<https://www.phoenixcontact.com/in/products/1689792>

Accessories

VS-M20 (5-13) - D-SUB pressure nut

1652127

<https://www.phoenixcontact.com/in/products/1652127>



D-SUB cap nut with line seal, for conductor diameter of 5 mm ... 13 mm, for sleeve housing VS-25-...

Q-PROT 9/11 - Filler plug

1670235

<https://www.phoenixcontact.com/in/products/1670235>



Closing cap for Pg9/Pg11 to close unoccupied connections

VS-25-T-2M20 - D-SUB sleeve housings

1689792

<https://www.phoenixcontact.com/in/products/1689792>



VS-25-TI-2 EMV - D-SUB EMC inner sleeve

1689802

<https://www.phoenixcontact.com/in/products/1689802>

D-SUB EMC inner sleeve, shell size 3, for sleeve housing VS-25-...



CP-HCC 4 - Coding profile

1600027

<https://www.phoenixcontact.com/in/products/1600027>

Coding element, color: red, product range: Coding



VS-25-T-2M20 - D-SUB sleeve housings

1689792

<https://www.phoenixcontact.com/in/products/1689792>



ZBN 18:UNBEDRUCKT - Zack marker strip

2809128

<https://www.phoenixcontact.com/in/products/2809128>



Zack marker strip, Strip, white, unlabeled, can be labeled with: CMS-P1-PLOTTER, PLOTMARK, mounting type: snapped, for terminal block width: 18 mm, lettering field size: 18 x 5 mm, Number of individual labels: 5

Phoenix Contact 2024 © - all rights reserved

<https://www.phoenixcontact.com>

PHOENIX CONTACT (I) Pvt. Ltd.

A-58/2, Okhla Industrial Area, Phase - II, New Delhi-110 020

+91.1275.71420

info@phoenixcontact.co.in