

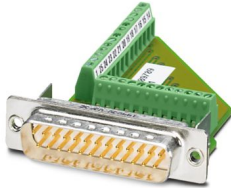
VS-25-ST-DSUB/25-MPT-0,5 - D-SUB contact insert



1689789

<https://www.phoenixcontact.com/in/products/1689789>

Please be informed that the data shown in this PDF document is generated from our online catalog. Please find the complete data in the user documentation. Our general terms of use for downloads are valid.



D-SUB contact insert, shell size 3, with 25 signal contacts, male type of contact, screw connection, straight, for panel mounting frame and sleeve housing with IP67 protection

Your advantages

- Easy assembly
- Screw connection

Commercial data

Item number	1689789
Packing unit	10 pc
Minimum order quantity	10 pc
Sales key	ABN
Product key	ABNCAA
Catalog page	Page 210 (C-2-2013)
GTIN	4017918914080
Weight per piece (including packing)	25.85 g
Weight per piece (excluding packing)	25.85 g
Customs tariff number	85366990
Country of origin	DE

VS-25-ST-DSUB/25-MPT-0,5 - D-SUB contact insert



1689789

<https://www.phoenixcontact.com/in/products/1689789>

Technical data

Product properties

Product type	Male insert
Type	D-SUB
Number of positions	25
Connection profile	D-SUB
Type	Male
Shielded	no

Data management status

Article revision	02
------------------	----

Insulation characteristics

Overvoltage category	III
Degree of pollution	2

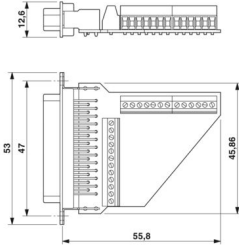
Electrical properties

Rated voltage (III/3)	60 V
Rated current	5 A
Insulation resistance	$\geq 5000 \text{ M}\Omega$
Contact resistance per contact pair	$\leq 2.5 \text{ m}\Omega$
Transmission medium	Copper

Connection data

Connection method	Screw connection
-------------------	------------------

Dimensions

Dimensional drawing	
Width	12.6 mm
Height	63 mm
Length	53.5 mm

Material specifications

Flammability rating according to UL 94	V0
Contact material	Copper alloy
Contact surface material	Gold over nickel
Contact carrier material	PBTP

VS-25-ST-DSUB/25-MPT-0,5 - D-SUB contact insert



1689789

<https://www.phoenixcontact.com/in/products/1689789>

Mechanical properties

Mechanical data

Insertion/withdrawal cycles	≥ 200
Insertion force per signal contact	≤ 3.30 N
Extraction force per signal contact	≤ 2.2 N

Environmental and real-life conditions

Ambient conditions

Degree of protection	IP20
Ambient temperature (operation)	-20 °C ... 70 °C

Mounting

Mounting type	Hole
---------------	------

VS-25-ST-DSUB/25-MPT-0,5 - D-SUB contact insert

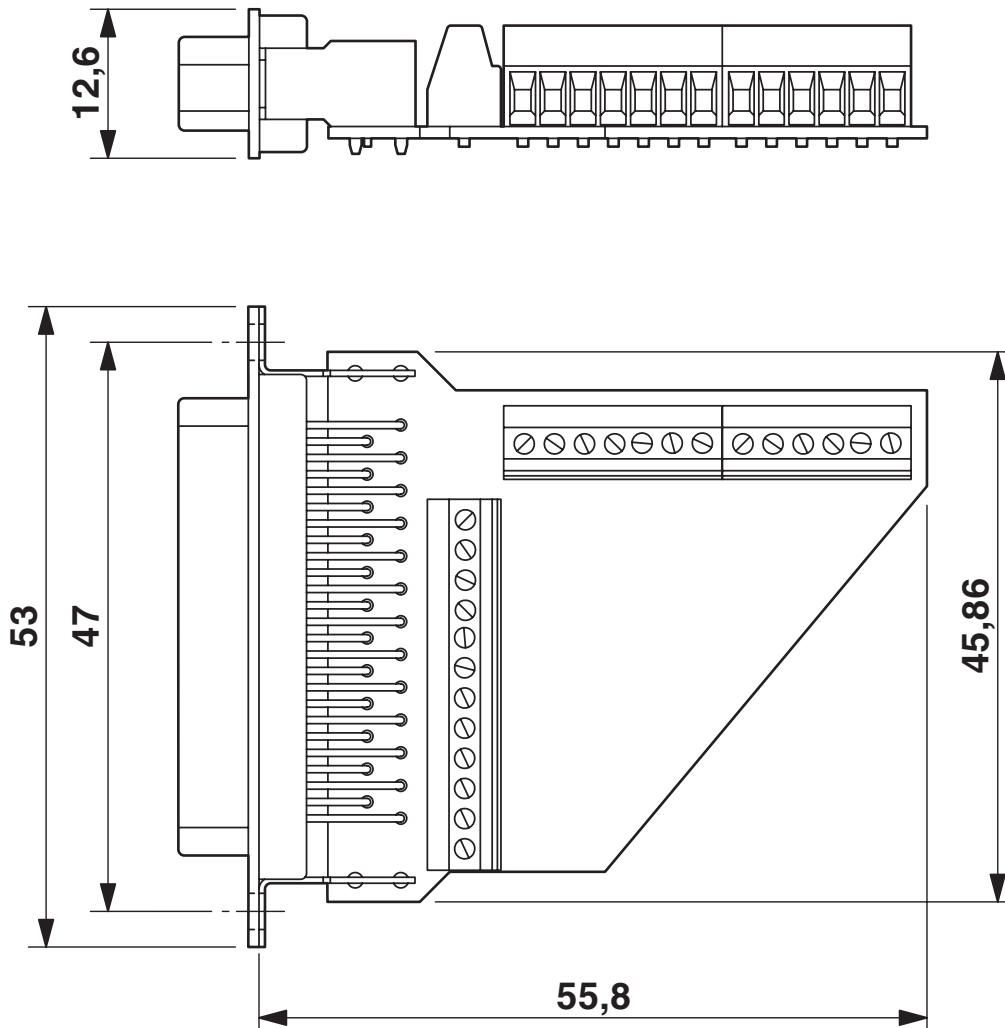


1689789

<https://www.phoenixcontact.com/in/products/1689789>

Drawings

Dimensional drawing



D-SUB contact insert

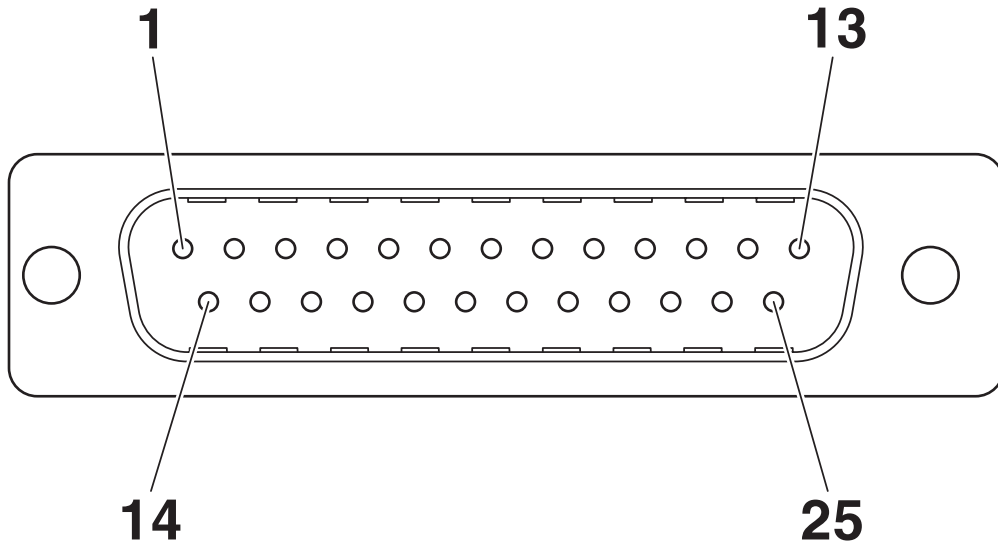
VS-25-ST-DSUB/25-MPT-0,5 - D-SUB contact insert



1689789

<https://www.phoenixcontact.com/in/products/1689789>

Schematic diagram



VS-25-ST-DSUB/25-MPT-0,5 - D-SUB contact insert



1689789

<https://www.phoenixcontact.com/in/products/1689789>

Classifications

ECLASS

ECLASS-11.0	27440223
ECLASS-12.0	27440223
ECLASS-13.0	27440223

ETIM

ETIM 9.0	EC003557
----------	----------

UNSPSC

UNSPSC 21.0	39121400
-------------	----------

1689789

<https://www.phoenixcontact.com/in/products/1689789>

Environmental product compliance

EU RoHS

Fulfills EU RoHS substance requirements	Yes
Exemption	6(c)

China RoHS

Environment friendly use period (EFUP)	EFUP-50
	An article-related China RoHS declaration table can be found in the download area for the respective article under "Manufacturer declaration". For all articles with EFUP-E, no China RoHS declaration table issued and required.

EU REACH SVHC

REACH candidate substance (CAS No.)	Lead(CAS: 7439-92-1)
SCIP	9ca9e77c-8ed2-4351-8ecd-70faf9783b4c

VS-25-ST-DSUB/25-MPT-0,5 - D-SUB contact insert



1689789

<https://www.phoenixcontact.com/in/products/1689789>

Accessories

VS-25-A - Panel-mount frame

1689750

<https://www.phoenixcontact.com/in/products/1689750>

D-SUB panel mounting frame, shell size 3, IP67 degree of protection



VS-25-T-2M20 - D-SUB sleeve housings

1689792

<https://www.phoenixcontact.com/in/products/1689792>

D-SUB sleeve housing, shell size 3, IP67 degree of protection



Phoenix Contact 2024 © - all rights reserved

<https://www.phoenixcontact.com>

PHOENIX CONTACT (I) Pvt. Ltd.

A-58/2, Okhla Industrial Area, Phase - II, New Delhi-110 020

+91.1275.71420

info@phoenixcontact.co.in