

SAC-5P-M12Y/2XM12FS VP - Y distributor



1683468

<https://www.phoenixcontact.com/in/products/1683468>

Please be informed that the data shown in this PDF document is generated from our online catalog. Please find the complete data in the user documentation. Our general terms of use for downloads are valid.



Y distributor, 5-position, unshielded, Plug straight M12, coding: A, on Socket straight M12, coding: A and Socket straight M12, coding: A, Parallel distributor

Commercial data

Item number	1683468
Packing unit	5 pc
Minimum order quantity	5 pc
Sales key	BF1
Product key	BF1GAB
Catalog page	Page 253 (C-2-2019)
GTIN	4017918166915
Weight per piece (including packing)	28.69 g
Weight per piece (excluding packing)	28 g
Customs tariff number	85366990
Country of origin	PL

SAC-5P-M12Y/2XM12FS VP - Y distributor

1683468

<https://www.phoenixcontact.com/in/products/1683468>

Technical data

Notes

General	with center distance of 18 mm, suitable for molded connectors and unshielded connectors that can be assembled with QUICKON IDC terminal block connection technology and a connection range of 0.14 mm ² to 0.34 mm ²
---------	--

Product properties

Product type	Y-distributor
Number of positions	5
No. of cable outlets	2
Shielded	no
Coding	A
Thread type	M12

Insulation characteristics

Overvoltage category	II
Degree of pollution	3

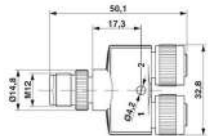
Electrical properties

Insulation resistance	≥ 100 MΩ
Nominal voltage U _N	48 V AC
	60 V DC
Nominal current I _N	4 A

Signaling

Status display	no
Status display present	No

Dimensions

Dimensional drawing	
Width	33 mm
Height	14.8 mm
Length	50.1 mm
Center distance	18 mm

Material specifications

Flammability rating according to UL 94	HB
Seal material	NBR
Material of grip body	TPU, hardly inflammable, self-extinguishing

SAC-5P-M12Y/2XM12FS VP - Y distributor



1683468

<https://www.phoenixcontact.com/in/products/1683468>

Contact material	CuZn
Contact surface material	Ni/Au
Contact carrier material	TPU GF
Material for screw connection	Zinc die-cast, nickel-plated

Connector

Connection 1

Type	Plug straight M12
Coding type	A

Connection 2

Type	Socket straight M12
Coding type	A

Connection 3

Type	Socket straight M12
Coding type	A

Mechanical properties

Mechanical data

Insertion/withdrawal cycles	≥ 100
-----------------------------	-------

Environmental and real-life conditions

Ambient conditions

Degree of protection	IP65
	IP67
Ambient temperature (operation)	-25 °C ... 90 °C (Plug / socket)

Standards and regulations

M12

Standard designation	M12 connector
Standards/specifications	IEC 61076-2-101

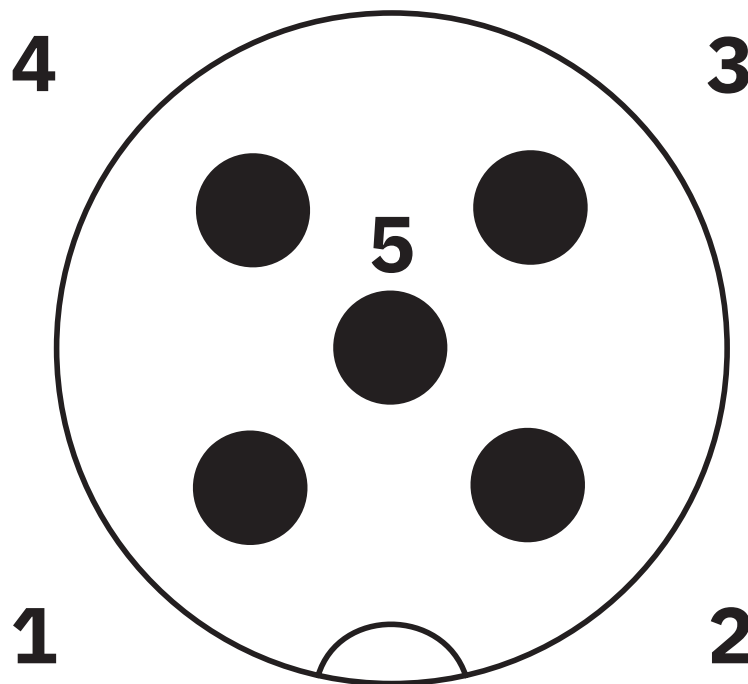
SAC-5P-M12Y/2XM12FS VP - Y distributor

1683468

<https://www.phoenixcontact.com/in/products/1683468>

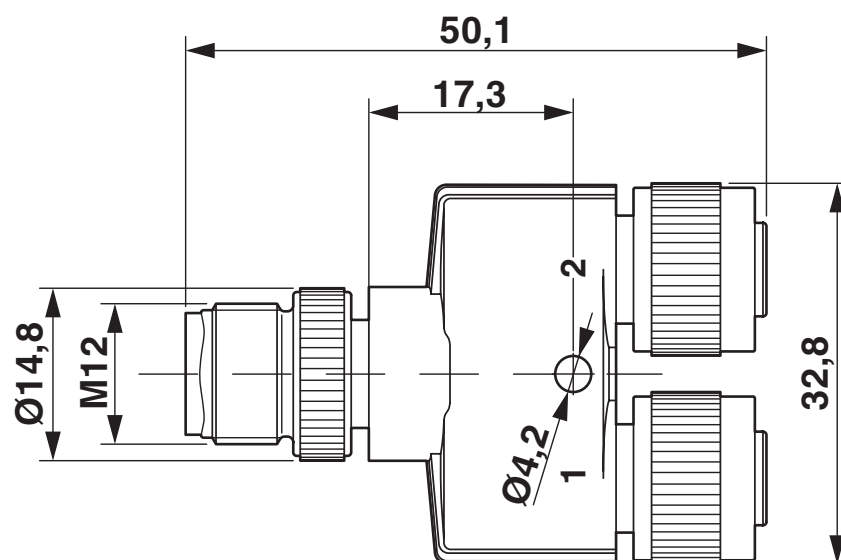
Drawings

Schematic diagram



Pin assignment M12 male connector, 5-pos., A-coded, male side

Dimensional drawing



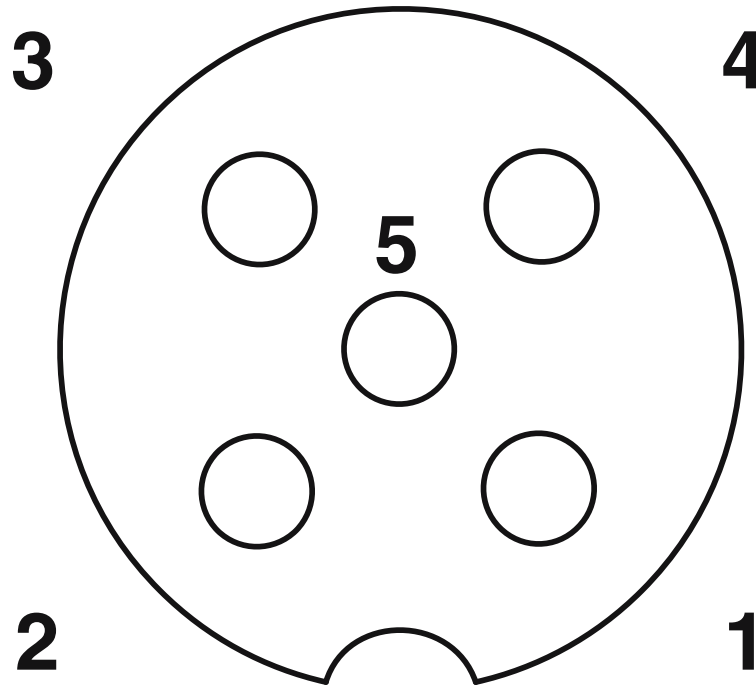
M12 Y distributor

SAC-5P-M12Y/2XM12FS VP - Y distributor

1683468

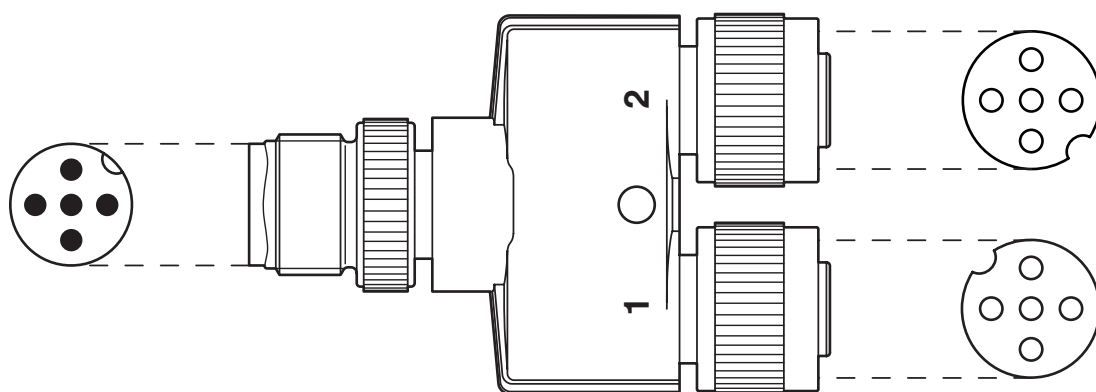
<https://www.phoenixcontact.com/in/products/1683468>

Schematic diagram



Pin assignment M12 socket, 5-pos., A-coded, socket side view

Schematic diagram



Layout of connector pin assignments

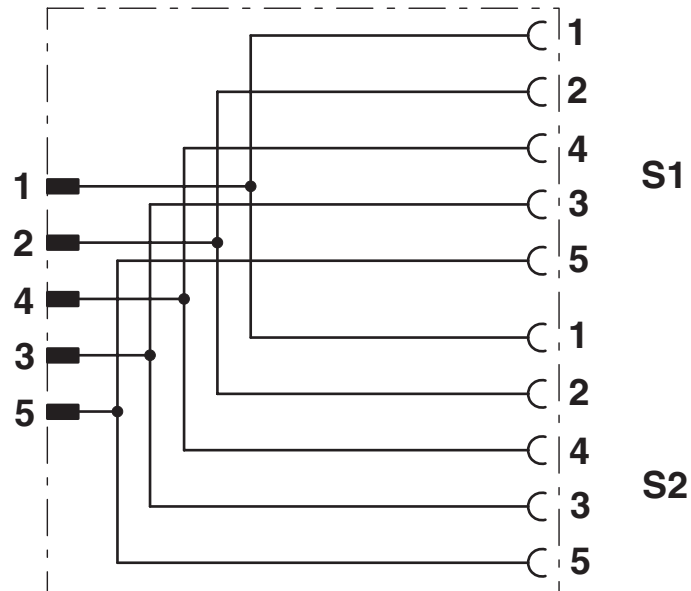
SAC-5P-M12Y/2XM12FS VP - Y distributor

1683468

<https://www.phoenixcontact.com/in/products/1683468>



Circuit diagram



SAC-5P-M12Y/2XM12FS VP - Y distributor



1683468

<https://www.phoenixcontact.com/in/products/1683468>

Approvals

To download certificates, visit the product detail page: <https://www.phoenixcontact.com/in/products/1683468>



EAC

Approval ID: RU C-DE.AI30.B.01102



EAC

Approval ID: RU C-DE.BL08.B.00511



UL Listed

Approval ID: E221474

	Nominal voltage U_N	Nominal current I_N	Cross section AWG	Cross section mm^2
	30 V	4 A	-	-



cUL Listed

Approval ID: E221474

	Nominal voltage U_N	Nominal current I_N	Cross section AWG	Cross section mm^2
	30 V	4 A	-	-

cULus Listed

SAC-5P-M12Y/2XM12FS VP - Y distributor



1683468

<https://www.phoenixcontact.com/in/products/1683468>

Classifications

ECLASS

ECLASS-11.0	27440106
ECLASS-12.0	27440106
ECLASS-13.0	27440106

ETIM

ETIM 9.0	EC002925
----------	----------

UNSPSC

UNSPSC 21.0	31251500
-------------	----------

SAC-5P-M12Y/2XM12FS VP - Y distributor



1683468

<https://www.phoenixcontact.com/in/products/1683468>

Environmental product compliance

EU RoHS

Fulfills EU RoHS substance requirements	Yes, No exemptions
---	--------------------

China RoHS

Environment friendly use period (EFUP)	EFUP-E
	No hazardous substances above the limits

EU REACH SVHC

REACH candidate substance (CAS No.)	No substance above 0.1 wt%
-------------------------------------	----------------------------

SAC-5P-M12Y/2XM12FS VP - Y distributor



1683468

<https://www.phoenixcontact.com/in/products/1683468>

Accessories

PROT-M12 - Screw plug

1680539

<https://www.phoenixcontact.com/in/products/1680539>



An M12 screw plug for the unoccupied M12 sockets of the sensor/actuator cable, boxes and flush-type connectors

PROT-M12 FS - Sealing cap

1560251

<https://www.phoenixcontact.com/in/products/1560251>



M12 sealing cap for unoccupied M12 plugs of the sensor/actuator cable, flush-type plugs and I/O devices in the field

SAC-5P-M12Y/2XM12FS VP - Y distributor



1683468

<https://www.phoenixcontact.com/in/products/1683468>

PROT-M12 MS-PA-CHAIN - Screw plug

1430899

<https://www.phoenixcontact.com/in/products/1430899>

M12 sealing cap with fixing band, for sensor cables, for free M12 sockets



PROT-M12 FS-PA-CHAIN - Sealing cap

1430873

<https://www.phoenixcontact.com/in/products/1430873>

M12 sealing cap made of plastic with fixing band, for sensor cables, for free M12 plugs



SAC-5P-M12Y/2XM12FS VP - Y distributor



1683468

<https://www.phoenixcontact.com/in/products/1683468>

TSD 04 SAC - Torque screwdriver

1208429

<https://www.phoenixcontact.com/in/products/1208429>



Torque screwdriver, with preset torque of 0.4 Nm and 4 mm hexagonal drive for M12 connectors

SAC BIT M12-D15 - Tool

1208432

<https://www.phoenixcontact.com/in/products/1208432>



Nut for assembling sensor/actuator cables with M12 connector and M12 connectors for assembly, with a knurl diameter of 15 mm, for 4 mm hexagonal drive

Phoenix Contact 2024 © - all rights reserved
<https://www.phoenixcontact.com>

PHOENIX CONTACT (I) Pvt. Ltd.
A-58/2, Okhla Industrial Area, Phase - II, New Delhi-110 020

+91.1275.71420
info@phoenixcontact.co.in