

SACC-M 8FS-3CON-M - Connector



1681172

<https://www.phoenixcontact.com/in/products/1681172>

Please be informed that the data shown in this PDF document is generated from our Online Catalog. Please find the complete data in the user documentation. Our General Terms of Use for Downloads are valid.



Connector, Universal, 3-position, Socket straight M8, A, Solder connection, knurl material: Nickel-plated brass, external cable diameter 3.5 mm ... 5 mm

Your advantages

- Safe use in the field, thanks to a high degree of protection

Commercial Data

| | |
|--------------------------------------|--------------------|
| Item number | 1681172 |
| Packing unit | 1 pc |
| Minimum order quantity | 1 pc |
| Sales Key | BF2 |
| Product Key | BF2BIA |
| Catalog Page | Page 18 (C-2-2019) |
| GTIN | 4017918157524 |
| Weight per Piece (including packing) | 9.13 g |
| Weight per Piece (excluding packing) | 6.92 g |
| Customs tariff number | 85366990 |
| Country of origin | DE |

SACC-M 8FS-3CON-M - Connector

1681172

<https://www.phoenixcontact.com/in/products/1681172>

Technical Data

Notes

| | |
|---------|--|
| General | NOTE: Observe the permissible bending radii when laying conductors, since the degree of protection may be put in jeopardy if the bending forces are too high. Alleviate mechanical loads upstream of the connector, e.g. by using cable ties. |
|---------|--|

Mounting

| | |
|-------------------|-------------------|
| Connection method | Solder connection |
|-------------------|-------------------|

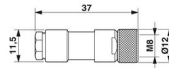
Product properties

| | |
|----------------------|---------------------------------|
| Product type | Circular connector (cable-side) |
| Number of positions | 3 |
| Sensor type | Universal |
| No. of cable outlets | 1 |
| Shielded | no |
| Coding | A |
| Cable outlet | straight |

Insulation characteristics

| | |
|----------------------|----|
| Overvoltage category | II |
| Degree of pollution | 3 |

Dimensions

| | |
|---------------------|--|
| Dimensional drawing |  |
| Length | 37 mm |

External dimensions

| | |
|------------------|-----------------|
| Outside diameter | 3.5 mm ... 5 mm |
|------------------|-----------------|

Housing

| | |
|------------------|-------|
| Diameter housing | 12 mm |
|------------------|-------|

Material specifications

| | |
|--|------|
| Flammability rating according to UL 94 | HB |
| Seal material | NBR |
| Material of grip body | PBT |
| Contact material | CuZn |
| Contact surface material | Au |
| Contact carrier material | PA |

SACC-M 8FS-3CON-M - Connector



1681172

<https://www.phoenixcontact.com/in/products/1681172>

| | |
|-------------------------------|---------------------|
| Material for screw connection | Nickel-plated brass |
|-------------------------------|---------------------|

Connection data

Conductor connection

| | |
|---|--|
| Connection method | Solder connection |
| Connection cross section | 0.08 mm ² ... 0.25 mm ² (flexible) |
| | 0.08 mm ² ... 0.25 mm ² (solid) |
| Connection cross section AWG | 28 ... 24 (flexible) |
| | 28 ... 24 (solid) |
| Stripping length of the individual wire | 3 mm |
| Tightening torque | 0.2 Nm (M8 knurl) |

Electrical properties

| | |
|--------------------------------|----------|
| Rated surge voltage | 0.8 kV |
| Contact resistance | ≤ 3 mΩ |
| Insulation resistance | ≥ 100 MΩ |
| Nominal voltage U _N | 48 V AC |
| | 60 V DC |
| Nominal current I _N | 4 A |

Mechanical properties

Mechanical data

| | |
|-----------------------------|-------|
| Insertion/withdrawal cycles | ≥ 100 |
|-----------------------------|-------|

Connector

Connection 1

| | |
|-------------------|----------|
| Head design | Socket |
| Head cable outlet | straight |
| Head thread type | M8 |
| Coding | A |

Cable/line

| | |
|---|-----------|
| Signal type/category | Universal |
| Stripping length of the individual wire | 3 mm |

Environmental and real-life conditions

Ambient conditions

| | |
|---------------------------------|------------------|
| Degree of protection | IP67 |
| Ambient temperature (operation) | -40 °C ... 85 °C |

Standards and regulations

| | |
|--------------------------|-----------------|
| Standards/specifications | IEC 61076-2-104 |
|--------------------------|-----------------|

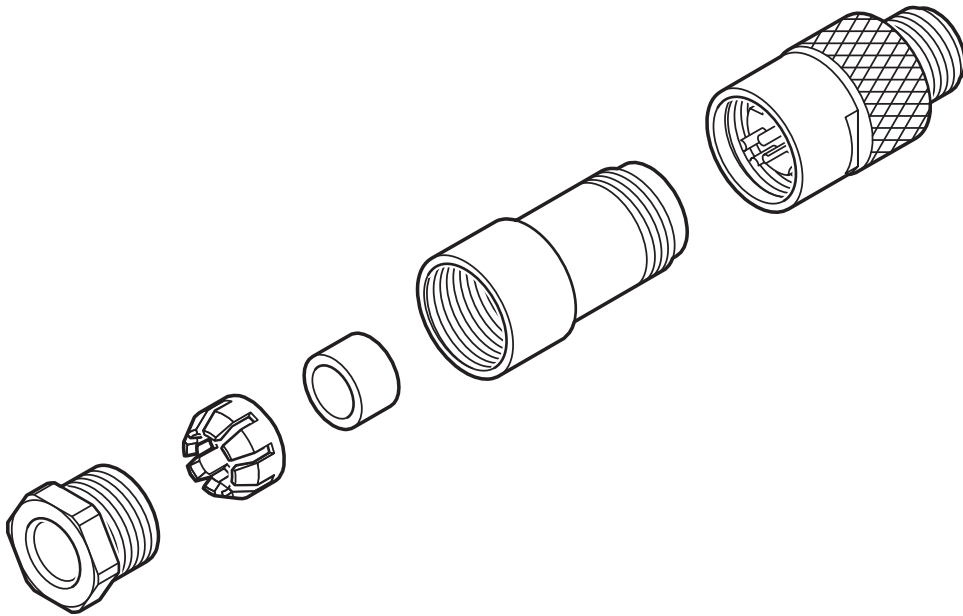
SACC-M 8FS-3CON-M - Connector

1681172

<https://www.phoenixcontact.com/in/products/1681172>

Drawings

Schematic diagram



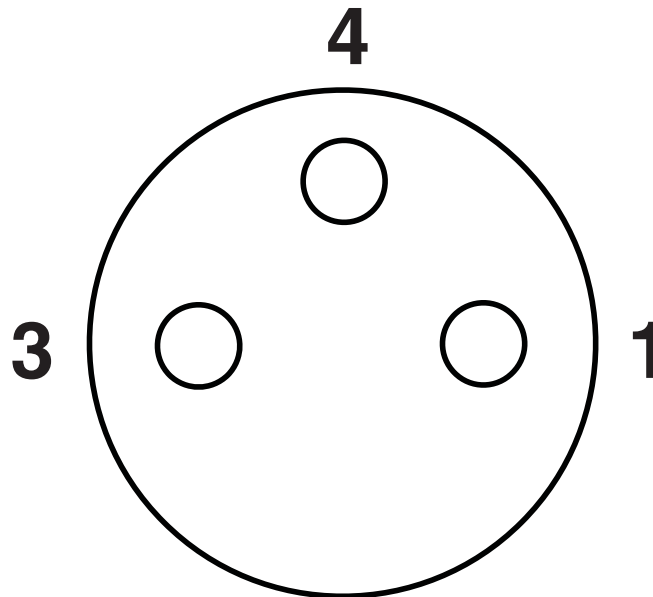
- 1 = pressure screw
- 2 = clamp-type cage
- 3 = gasket
- 4 = housing
- 5 = male or female insert

SACC-M 8FS-3CON-M - Connector

1681172

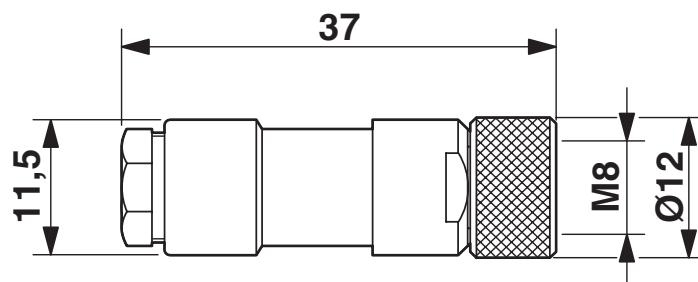
<https://www.phoenixcontact.com/in/products/1681172>

Schematic diagram



Pin assignment M8 socket, 3-pos.

Dimensional drawing



Socket M8 x 1, straight

SACC-M 8FS-3CON-M - Connector




1681172

<https://www.phoenixcontact.com/in/products/1681172>

Approvals

|  UL Listed Approval ID: FILE E 221474 | | | | |
|--|-----------------------|-----------------------|-------------------|-----------------------------|
| | Nominal Voltage U_N | Nominal Current I_N | Cross Section AWG | Cross Section mm^2 |
| | 60 V | 4 A | - | - |

|  cUL Listed Approval ID: FILE E 221474 | | | | |
|---|-----------------------|-----------------------|-------------------|-----------------------------|
| | Nominal Voltage U_N | Nominal Current I_N | Cross Section AWG | Cross Section mm^2 |
| | 60 V | 4 A | - | - |

SACC-M 8FS-3CON-M - Connector



1681172

<https://www.phoenixcontact.com/in/products/1681172>

Classifications

ECLASS

| | |
|-------------|----------|
| ECLASS-11.0 | 27440102 |
| ECLASS-12.0 | 27440116 |
| ECLASS-13.0 | 27440116 |

ETIM

| | |
|----------|----------|
| ETIM 8.0 | EC002635 |
|----------|----------|

UNSPSC

| | |
|-------------|----------|
| UNSPSC 21.0 | 39121400 |
|-------------|----------|

SACC-M 8FS-3CON-M - Connector



1681172

<https://www.phoenixcontact.com/in/products/1681172>

Environmental Product Compliance

| | |
|------------|--|
| REACH SVHC | Lead 7439-92-1 |
| China RoHS | Environmentally Friendly Use Period = 50 years |
| | For information on hazardous substances, refer to the manufacturer's declaration available under "Downloads" |

SACC-M 8FS-3CON-M - Connector

1681172

<https://www.phoenixcontact.com/in/products/1681172>



Accessories

SACC-M 8-SET/2,2-3,5 - Connector

1436945

<https://www.phoenixcontact.com/in/products/1436945>



Sensor/actuator connector, accessories, pressure screw and seal, for unshielded M8 connector, cable diameter 2.2 mm - 3.5 mm

TSD 02 SAC - Torque screwdriver

1208487

<https://www.phoenixcontact.com/in/products/1208487>



Torque screwdriver, with preset torque of 0.2 Nm and 4 mm hexagonal drive for M8 connectors

SACC-M 8FS-3CON-M - Connector

1681172

<https://www.phoenixcontact.com/in/products/1681172>



SACC BIT M8-D12 - Tool

1208474

<https://www.phoenixcontact.com/in/products/1208474>



Nut for assembling M8 connectors with longitudinal knurl and a knurl diameter of 12 mm, for 4 mm hexagonal drive

PROT-M 8 MS-PA-CHAIN - Screw plug

1430860

<https://www.phoenixcontact.com/in/products/1430860>



M8 sealing cap made of plastic with fixing band for sensor cables, for M8 sockets

SACC-M 8FS-3CON-M - Connector

1681172

<https://www.phoenixcontact.com/in/products/1681172>



TSD-M 1,2NM - Torque screwdriver

1212224

<https://www.phoenixcontact.com/in/products/1212224>



Torque screw driver, accuracy as per EN ISO 6789 standard, adjustable from 0.3 - 1.2 Nm

TSD-M SAC-BIT ADAPTER - Adapter insert

1212600

<https://www.phoenixcontact.com/in/products/1212600>



Adapter bit for TSD-M...torque tools, E6.3-1/4" drive with 4 mm hexagon to accommodate SAC bits

SACC-M 8FS-3CON-M - Connector

1681172

<https://www.phoenixcontact.com/in/products/1681172>



SAC-3P-100,0-PUR/0,25 - Cable reel

1501689

<https://www.phoenixcontact.com/in/products/1501689>



By the meter, Cable reel, PUR halogen-free, black-gray RAL 7021, 3-wire, color single wire: brown, blue, black, cable length: 100 m

Phoenix Contact 2023 © - all rights reserved

<https://www.phoenixcontact.com>

PHOENIX CONTACT (I) Pvt. Ltd.

A-58/2, Okhla Industrial Area, Phase - II, New Delhi-110 020

+91.1275.71420

info@phoenixcontact.co.in