

# SACC-M12MR-4CON-PG7 - Connector



1681091

<https://www.phoenixcontact.com/in/products/1681091>

Please be informed that the data shown in this PDF document is generated from our Online Catalog. Please find the complete data in the user documentation. Our General Terms of Use for Downloads are valid.

Connector, Universal, 4-position, Plug angled M12, A, Screw connection, knurl material: Plastic, cable gland Pg7, external cable diameter 4 mm ... 6 mm



## Your advantages

- Safe use in the field, thanks to a high degree of protection
- Screw connection: proven connection technology for a large selection of different conductors

## Commercial Data

Item number	1681091
Packing unit	1 pc
Minimum order quantity	1 pc
Sales Key	BF2
Product Key	BF2CAA
Catalog Page	Page 22 (C-2-2019)
GTIN	4017918157494
Weight per Piece (including packing)	18.95 g
Weight per Piece (excluding packing)	18.3 g
Customs tariff number	85366990
Country of origin	DE

# SACC-M12MR-4CON-PG7 - Connector



1681091

<https://www.phoenixcontact.com/in/products/1681091>

## Technical Data

### Notes

General	<b>NOTE:</b> Observe the permissible bending radii when laying conductors, since the degree of protection may be put in jeopardy if the bending forces are too high. Alleviate mechanical loads upstream of the connector, e.g. by using cable ties.
---------	--

### Mounting

Assembly instructions	The connector pin assignment can be rotated 90° to the cable outlet
Connection method	Screw connection

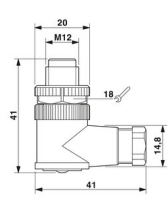
### Product properties

Product type	Circular connector (cable-side)
Number of positions	4
Sensor type	Universal
No. of cable outlets	1
Shielded	no
Coding	A
Cable outlet	angled
Pg screw connection	Pg7

### Insulation characteristics

Overvoltage category	II
Degree of pollution	3

### Dimensions

Dimensional drawing	
Length	41 mm

### External dimensions

Outside diameter	4 mm ... 6 mm
------------------	---------------

### Housing

Diameter housing	20 mm
------------------	-------

### Material specifications

Color Handle area	black
Flammability rating according to UL 94	HB
Seal material	NBR

# SACC-M12MR-4CON-PG7 - Connector



1681091

<https://www.phoenixcontact.com/in/products/1681091>

Material of grip body	PA
Contact material	CuZn
Contact surface material	CuSnZn
Contact carrier material	PA
Material for screw connection	Plastic

## Connection data

### Conductor connection

Connection method	Screw connection
Connection cross section	0.25 mm <sup>2</sup> ... 0.75 mm <sup>2</sup> (without ferrule)
	0.14 mm <sup>2</sup> ... 0.75 mm <sup>2</sup> (with ferrule)
	0.25 mm <sup>2</sup> ... 0.75 mm <sup>2</sup> (solid)
Connection cross section AWG	24 ... 18 (without ferrule)
	26 ... 20 (with ferrule)
Stripping length of the individual wire	5 mm
Tightening torque	0.4 Nm (M12 knurl)
	0.2 Nm (Screw terminal blocks)
	0.8 Nm ... 1 Nm (Pressure screw with sleeve housing)

## Electrical properties

Rated surge voltage	2.5 kV
Contact resistance	≤ 8 mΩ
Insulation resistance	≥ 100 MΩ
Nominal voltage U <sub>N</sub>	250 V AC
	250 V DC
Nominal current I <sub>N</sub>	4 A

## Mechanical properties

### Mechanical data

Insertion/withdrawal cycles	≥ 50
-----------------------------	------

## Connector

### Connection 1

Head design	Plug
Head cable outlet	angled
Head thread type	M12
Coding	A

## Cable/line

Signal type/category	Universal
Stripping length of the individual wire	5 mm

## Environmental and real-life conditions

# SACC-M12MR-4CON-PG7 - Connector



1681091

<https://www.phoenixcontact.com/in/products/1681091>

## Ambient conditions

Degree of protection	IP67
Ambient temperature (operation)	-40 °C ... 85 °C (Plug / socket)

## Standards and regulations

Standards/specifications	IEC 61076-2-101
--------------------------	-----------------

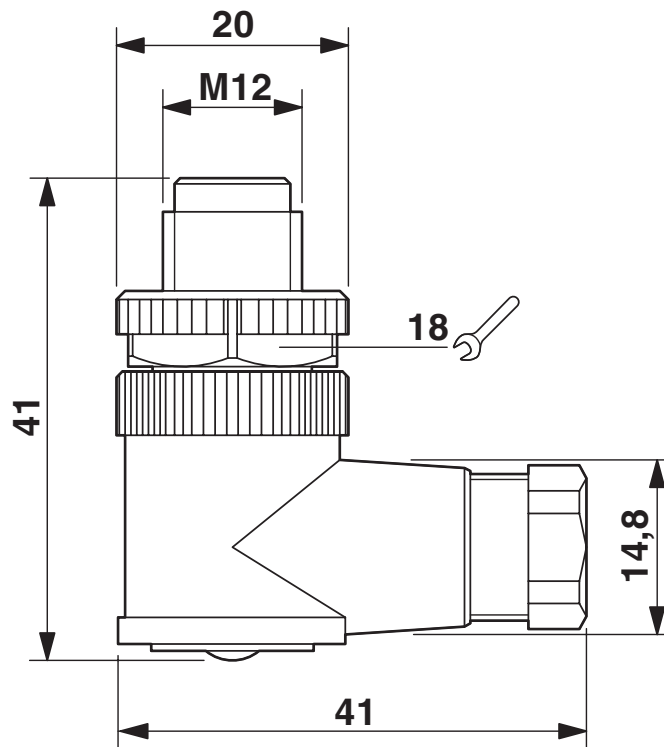
# SACC-M12MR-4CON-PG7 - Connector

1681091

<https://www.phoenixcontact.com/in/products/1681091>

## Drawings

Dimensional drawing



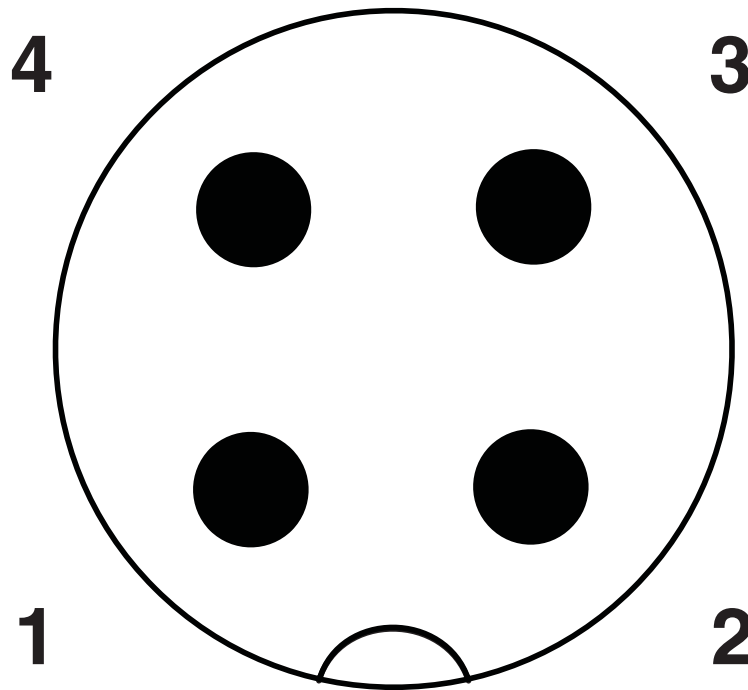
M12 x 1 male plug, angled

# SACC-M12MR-4CON-PG7 - Connector

1681091

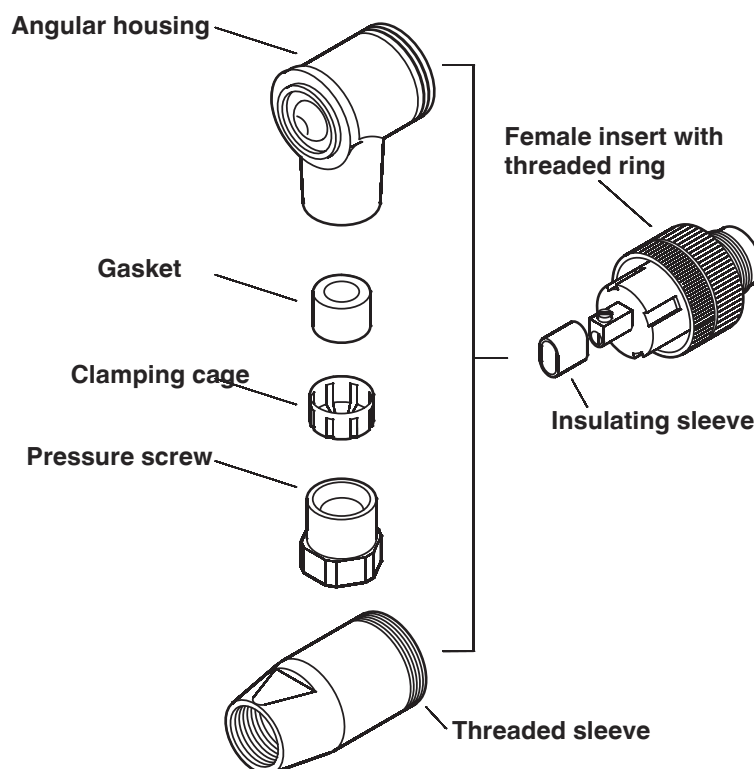
<https://www.phoenixcontact.com/in/products/1681091>

Schematic diagram



Pin assignment M12 plug, 4-pos., A-coded, view plug side

Schematic diagram



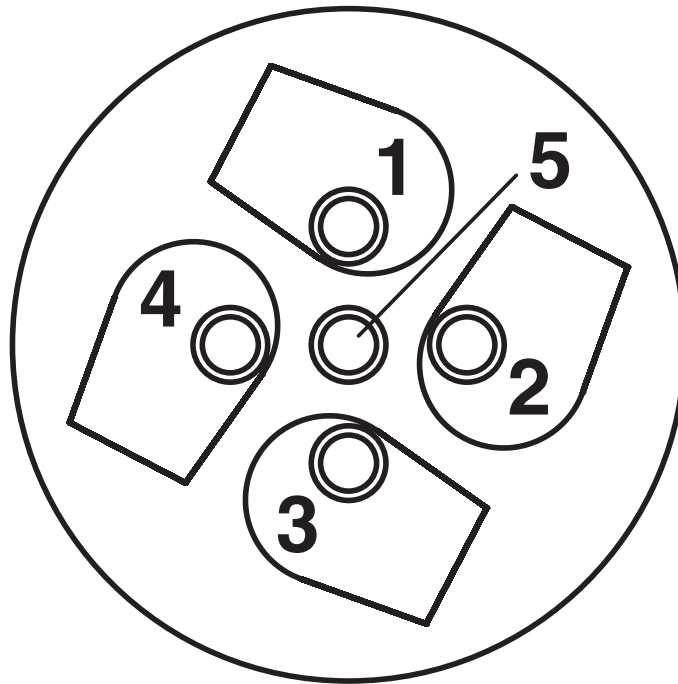
Male/Female M12

# SACC-M12MR-4CON-PG7 - Connector

1681091

<https://www.phoenixcontact.com/in/products/1681091>

Schematic diagram



Cable connection side M12 (screw connection)

# SACC-M12MR-4CON-PG7 - Connector




1681091

<https://www.phoenixcontact.com/in/products/1681091>

## Approvals

 <b>cUL Recognized</b> Approval ID: FILE E 221474				
	Nominal Voltage $U_N$	Nominal Current $I_N$	Cross Section AWG	Cross Section $\text{mm}^2$
	250 V	4 A	-	-

 <b>UL Recognized</b> Approval ID: FILE E 221474				
	Nominal Voltage $U_N$	Nominal Current $I_N$	Cross Section AWG	Cross Section $\text{mm}^2$
	250 V	4 A	-	-

 <b>EAC</b> Approval ID: RU C-DE.BL08.B.00511				
---	--	--	--	--



# SACC-M12MR-4CON-PG7 - Connector



1681091

<https://www.phoenixcontact.com/in/products/1681091>

## Classifications

### ECLASS

ECLASS-11.0	27440102
ECLASS-12.0	27440116
ECLASS-13.0	27440116

### ETIM

ETIM 8.0	EC002635
----------	----------

### UNSPSC

UNSPSC 21.0	39121400
-------------	----------

# SACC-M12MR-4CON-PG7 - Connector



1681091

<https://www.phoenixcontact.com/in/products/1681091>

## Environmental Product Compliance

REACH SVHC	Lead 7439-92-1
China RoHS	Environmentally Friendly Use Period = 50 years
	For information on hazardous substances, refer to the manufacturer's declaration available under "Downloads"

# SACC-M12MR-4CON-PG7 - Connector

1681091

<https://www.phoenixcontact.com/in/products/1681091>



## Accessories

### SACC-M12-SET/2,5-3,5 - Connector

1436505

<https://www.phoenixcontact.com/in/products/1436505>



Sensor/actuator connector, accessories, pressure screw and Pg7 seal, for unshielded M12 connector, cable diameter 2.5 mm - 3.5 mm

---

### TSD 04 SAC - Torque screwdriver

1208429

<https://www.phoenixcontact.com/in/products/1208429>



Torque screwdriver, with preset torque of 0.4 Nm and 4 mm hexagonal drive for M12 connectors

# SACC-M12MR-4CON-PG7 - Connector



1681091

<https://www.phoenixcontact.com/in/products/1681091>

## TSD-M 1,2NM - Torque screwdriver

1212224

<https://www.phoenixcontact.com/in/products/1212224>



Torque screw driver, accuracy as per EN ISO 6789 standard, adjustable from 0.3 - 1.2 Nm

---

## TSD-M SAC-BIT ADAPTER - Adapter insert

1212600

<https://www.phoenixcontact.com/in/products/1212600>



Adapter bit for TSD-M...torque tools, E6.3-1/4" drive with 4 mm hexagon to accommodate SAC bits

# SACC-M12MR-4CON-PG7 - Connector

1681091

<https://www.phoenixcontact.com/in/products/1681091>



## SACC BIT M12-D20 - Tool

1208445

<https://www.phoenixcontact.com/in/products/1208445>

Nut for assembling M12 connectors for assembly with a knurl diameter of 20 mm, for 4 mm hexagonal drive



---

## PROT-M12 FS-PA-CHAIN - Sealing cap

1430873

<https://www.phoenixcontact.com/in/products/1430873>

M12 sealing cap made of plastic with fixing band, for sensor cables, for free M12 plugs



# SACC-M12MR-4CON-PG7 - Connector

1681091

<https://www.phoenixcontact.com/in/products/1681091>

## SAC-4P-100,0-PUR/0,25 - Cable reel

1501692

<https://www.phoenixcontact.com/in/products/1501692>



By the meter, Cable reel, PUR halogen-free, black-gray RAL 7021, 4-wire, color single wire: brown, white, blue, black, cable length: 100 m

---

## SAC-4P-100,0-PUR/0,34 - Cable reel

1501663

<https://www.phoenixcontact.com/in/products/1501663>



By the meter, Cable reel, PUR halogen-free, black-gray RAL 7021, 4-wire, color single wire: brown, white, blue, black, cable length: 100 m

# SACC-M12MR-4CON-PG7 - Connector

1681091

<https://www.phoenixcontact.com/in/products/1681091>



## SAC-4P-100,0-186/0,75 - Cable reel

1457461

<https://www.phoenixcontact.com/in/products/1457461>



By the meter, Cable reel, PUR, black-gray RAL 7021, 4-wire, color single wire: brown, white, blue, black, cable length: 100 m

---

## A 0,25- 5 - Ferrule

3202465

<https://www.phoenixcontact.com/in/products/3202465>



Ferrule, length: 5 mm, color: silver

# SACC-M12MR-4CON-PG7 - Connector



1681091

<https://www.phoenixcontact.com/in/products/1681091>

## CRIMPFOX 6H - Crimping pliers

1212046

<https://www.phoenixcontact.com/in/products/1212046>



Crimping pliers, for ferrules without insulating collar according to DIN 46228 Part 1 and ferrules with insulating collar according to DIN 46228 Part 4, 0.14 mm<sup>2</sup> ... 6 mm<sup>2</sup>, unlockable pressure lock, lateral entry

---

## SZF 1-0,6X3,5 - Screwdriver

1204517

<https://www.phoenixcontact.com/in/products/1204517>



Actuation tool, for ST terminal blocks, also suitable for use as a bladed screwdriver, size: 0.6 x 3.5 x 100 mm, 2-component grip, with non-slip grip

---

Phoenix Contact 2023 © - all rights reserved  
<https://www.phoenixcontact.com>

PHOENIX CONTACT (I) Pvt. Ltd.  
A-58/2, Okhla Industrial Area, Phase - II, New Delhi-110 020

+91.1275.71420  
[info@phoenixcontact.co.in](mailto:info@phoenixcontact.co.in)