

# PROT-M12 - Screw plug



1680539

<https://www.phoenixcontact.com/in/products/1680539>

Please be informed that the data shown in this PDF document is generated from our Online Catalog. Please find the complete data in the user documentation. Our General Terms of Use for Downloads are valid.



An M12 screw plug for the unoccupied M12 sockets of the sensor/actuator cable, boxes and flush-type connectors

## Your advantages

- Reliable protection of unoccupied slots during transport and use in the field
- Protected against splash water and dust
- Easy assembly using a screwdriver

## Commercial Data

Item number	1680539
Packing unit	5 pc
Minimum order quantity	5 pc
Sales Key	BF3
Product Key	BF3ZAX
Catalog Page	Page 197 (C-6-2019)
GTIN	4017918163389
Weight per Piece (including packing)	1.465 g
Weight per Piece (excluding packing)	0.826 g
Customs tariff number	39269097
Country of origin	DE

# PROT-M12 - Screw plug

1680539

<https://www.phoenixcontact.com/in/products/1680539>

## Technical Data

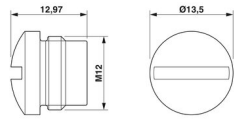
### Notes

General	Not suitable for M12 sockets with K, L, or M coding
---------	---

### Product properties

Product type	Plug for cable screw gland
Application	Sensor/actuator box
Thread type	M12

### Dimensions

Dimensional drawing	
Diameter	13.5 mm

### Material specifications

Color	black
Flammability rating according to UL 94	V0
Material for screw connection	PA 6.6

### Environmental and real-life conditions

#### Ambient conditions

Degree of protection	IP65 IP67
Ambient temperature (operation)	-40 °C ... 85 °C

# PROT-M12 - Screw plug

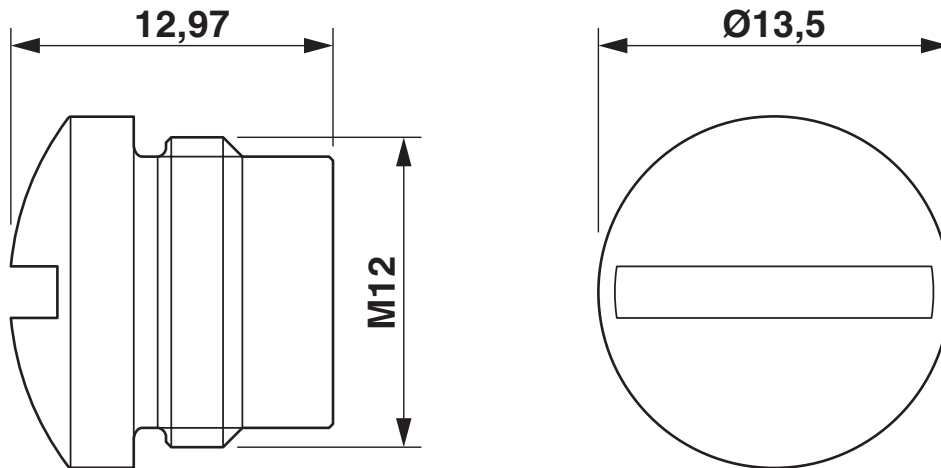
1680539

<https://www.phoenixcontact.com/in/products/1680539>



## Drawings

Dimensional drawing



# PROT-M12 - Screw plug

1680539

<https://www.phoenixcontact.com/in/products/1680539>



## Approvals



**UL Recognized**

Approval ID: FILE E 240868

# PROT-M12 - Screw plug

1680539

<https://www.phoenixcontact.com/in/products/1680539>



## Classifications

### ECLASS

ECLASS-11.0	23111190
ECLASS-12.0	23111190
ECLASS-13.0	23111190

### ETIM

ETIM 8.0	EC000032
----------	----------

### UNSPSC

UNSPSC 21.0	31261500
-------------	----------

# PROT-M12 - Screw plug

1680539

<https://www.phoenixcontact.com/in/products/1680539>



## Environmental Product Compliance

China RoHS	Environmentally friendly use period: unlimited = EFUP-e
	No hazardous substances above threshold values

# PROT-M12 - Screw plug

1680539

<https://www.phoenixcontact.com/in/products/1680539>



## Accessories

### SZF 3-1,0X5,5 - Screwdriver

1206612

<https://www.phoenixcontact.com/in/products/1206612>



Actuation tool, for ST terminal blocks, also suitable for use as a bladed screwdriver, size: 1.0 x 5.5 x 150 mm, 2-component grip, with non-slip grip

---

Phoenix Contact 2023 © - all rights reserved  
<https://www.phoenixcontact.com>

PHOENIX CONTACT (I) Pvt. Ltd.  
A-58/2, Okhla Industrial Area, Phase - II, New Delhi-110 020

+91.1275.71420  
[info@phoenixcontact.co.in](mailto:info@phoenixcontact.co.in)