

HC-A 16-EBUS - Contact insert



1677005

<https://www.phoenixcontact.com/in/products/1677005>

Please be informed that the data shown in this PDF document is generated from our online catalog. Please find the complete data in the user documentation. Our general terms of use for downloads are valid.

HEAVYCON female insert, A16 series, 16-pos., screw connection



Commercial data

Item number	1677005
Packing unit	10 pc
Minimum order quantity	1 pc
Product key	BF7ABB
Catalog page	Page 417 (C-4-2013)
GTIN	4017918129620
Weight per piece (including packing)	79.9 g
Weight per piece (excluding packing)	79.9 g
Country of origin	DE

HC-A 16-EBUS - Contact insert

1677005

<https://www.phoenixcontact.com/in/products/1677005>

Technical data

Notes

General	for HC-D25 / HC-D 50 housing
---------	------------------------------

Mounting

Assembly note	Connectors may be operated only when there is no load/voltage.
---------------	--

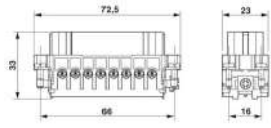
Product properties

Product type	Contact insert with a fixed no. of positions
Series	HC-A
Type	D25 D50
Number of positions	16
Connection profile	16+PE
Contact numbering	1 - 16

Insulation characteristics

Overvoltage category	III
Degree of pollution	3

Dimensions

Dimensional drawing	
Width	23 mm
Height	33 mm
Length	72.5 mm
Drill hole distance, horizontal	66 mm
Drill hole distance, vertical	16 mm

Connection data

Connection technology

Connection technology	Screw connection
Connection in acc. with standard	IEC / EN

Conductor connection

Conductor cross section	0.5 mm ² ... 2.5 mm ² (applies to stranded conductors with ferrules)
Connection cross section AWG	20 ... 14
Tightening torque	0.5 Nm
Stripping length of the individual wire	7 mm

HC-A 16-EBUS - Contact insert



1677005

<https://www.phoenixcontact.com/in/products/1677005>

Electrical properties

Rated voltage (III/3)	250 V
Rated surge voltage	4 kV
	4 kV
Rated current	16 A
Test voltage	4 kV AC

Mechanical properties

Mechanical data

Insertion/withdrawal cycles	≥ 500
-----------------------------	-------

Material specifications

Flammability rating according to UL 94	V0
Contact material	Copper alloy
Contact surface material	Ag
Contact carrier material	PA

Environmental and real-life conditions

Ambient conditions

Ambient temperature (operation)	-40 °C ... 125 °C (including heating up of contacts)
---------------------------------	--

Standards and regulations

Constructional and testing regulations	DIN VDE 0627/86
	DIN VDE 0110/02.79
	DIN VDE 0110-1/04.97
	IEC 60664-1, DIN IEC 60512
	IEC 60352
Tests	DIN VDE 0627/86
	DIN VDE 0110/02.79
	DIN VDE 0110-1/04.97
	IEC 60664-1, DIN IEC 60512
	IEC 60352

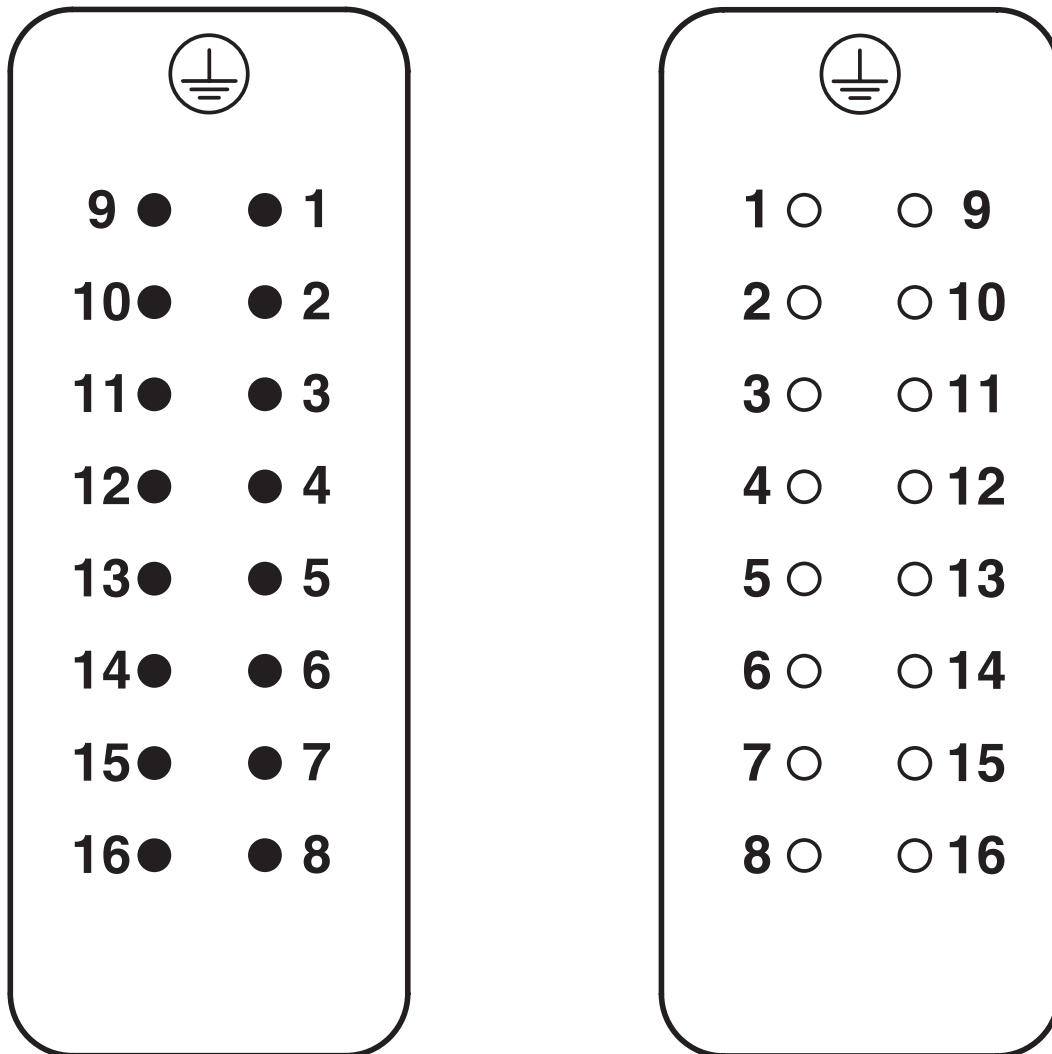
HC-A 16-EBUS - Contact insert

1677005

<https://www.phoenixcontact.com/in/products/1677005>

Drawings

Schematic diagram



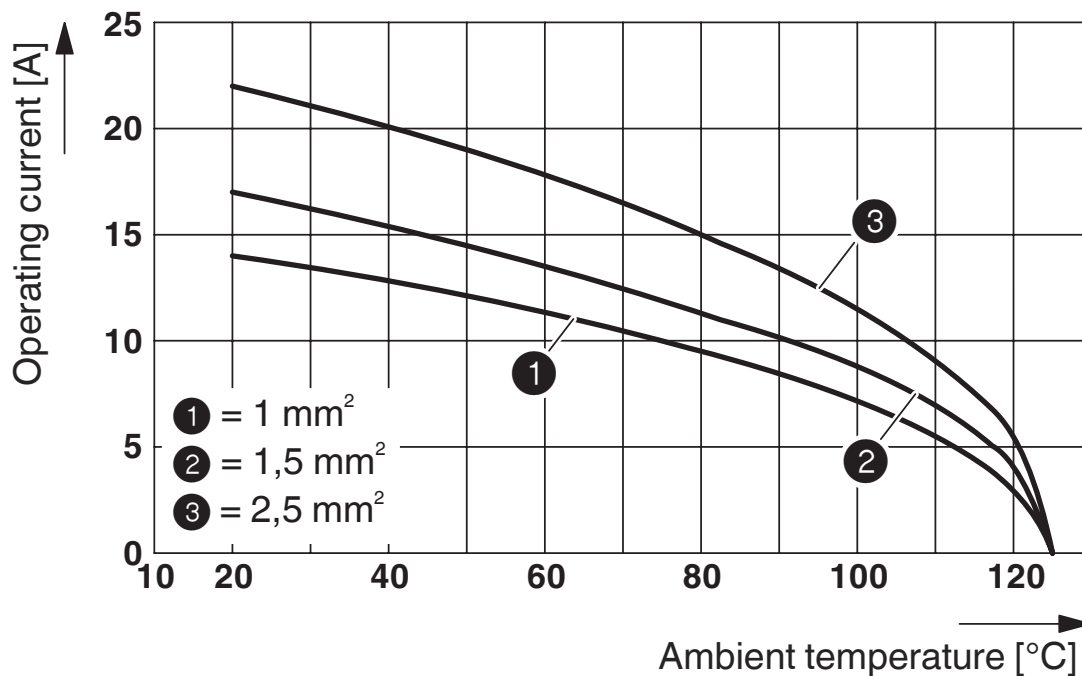
Connector pin assignment, connection side

HC-A 16-EBUS - Contact insert

1677005

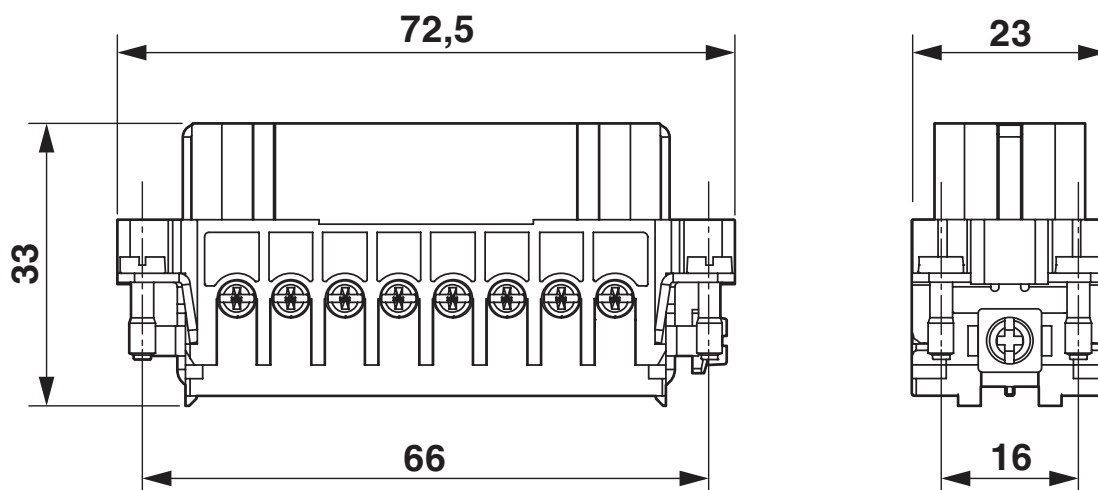
<https://www.phoenixcontact.com/in/products/1677005>

Diagram



Derating diagram: Series A 16...S

Dimensional drawing



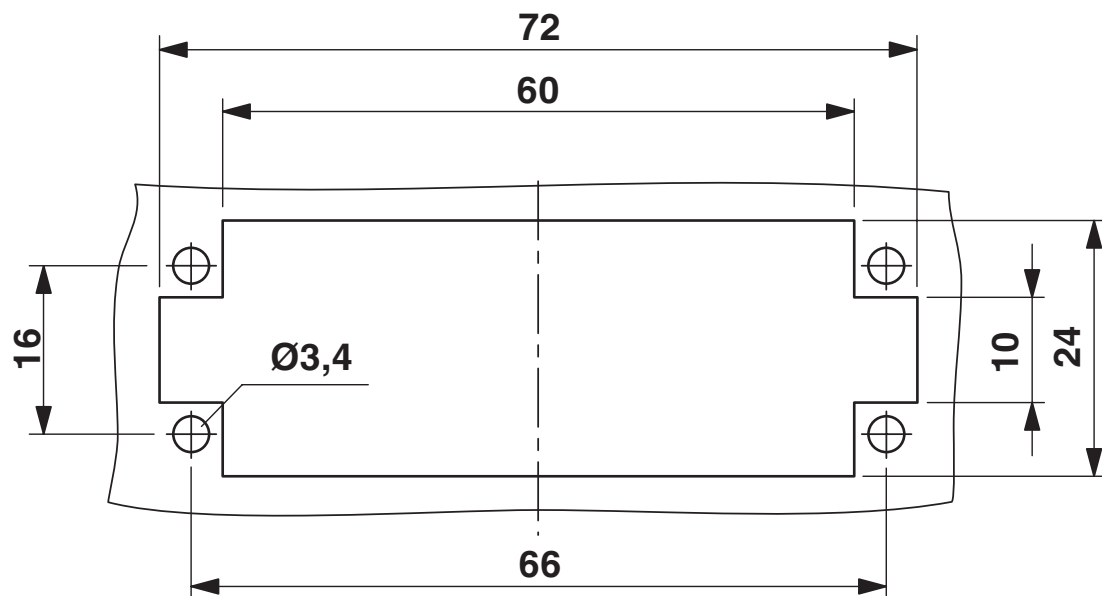
Female insert

HC-A 16-EBUS - Contact insert

1677005

<https://www.phoenixcontact.com/in/products/1677005>

Dimensional drawing



Mounting cutout

HC-A 16-EBUS - Contact insert



1677005

<https://www.phoenixcontact.com/in/products/1677005>

Classifications

ECLASS

ECLASS-11.0	27440205
ECLASS-13.0	27440205

HC-A 16-EBUS - Contact insert



1677005

<https://www.phoenixcontact.com/in/products/1677005>

Environmental product compliance

EU RoHS

Fulfills EU RoHS substance requirements	Yes, No exemptions
---	--------------------

China RoHS

Environment friendly use period (EFUP)	EFUP-E
	No hazardous substances above the limits

EU REACH SVHC

REACH candidate substance (CAS No.)	No substance above 0.1 wt%
-------------------------------------	----------------------------

HC-A 16-EBUS - Contact insert

1677005

<https://www.phoenixcontact.com/in/products/1677005>



Accessories

HC-A-PES - Screw

1584868

<https://www.phoenixcontact.com/in/products/1584868>



PE screw for contact inserts of A series

HC-CST - Coding element

1676857

<https://www.phoenixcontact.com/in/products/1676857>



Coding peg for coding up to 16 connectors

HC-A 16-EBUS - Contact insert

1677005

<https://www.phoenixcontact.com/in/products/1677005>



HC-CBU - Coding element

1676860

<https://www.phoenixcontact.com/in/products/1676860>



Coding socket for coding up to 16 connectors

HC-CB - Coding bolt

1772722

<https://www.phoenixcontact.com/in/products/1772722>



Coding pin, prevents mismatching of up to six connectors with an identical number of positions

HC-A 16-EBUS - Contact insert

1677005

<https://www.phoenixcontact.com/in/products/1677005>



HC-SMR-D25 - DIN rail mounting frame

1604023

<https://www.phoenixcontact.com/in/products/1604023>



HEAVYCON DIN rail mounting frame, for contact inserts of type D25

Phoenix Contact 2024 © - all rights reserved

<https://www.phoenixcontact.com>

PHOENIX CONTACT (I) Pvt. Ltd.

A-58/2, Okhla Industrial Area, Phase - II, New Delhi-110 020

+91.1275.71420

info@phoenixcontact.co.in