

HC-D 25-AMLD - Housing

1672754

<https://www.phoenixcontact.com/in/products/1672754>

Please be informed that the data shown in this PDF document is generated from our online catalog. Please find the complete data in the user documentation. Our general terms of use for downloads are valid.

HEAVYCON panel mounting base D25, with single locking latch, height 26 mm, with cover



Commercial data

Item number	1672754
Packing unit	10 pc
Minimum order quantity	1 pc
Sales key	BF7
Product key	BF7AAE
Catalog page	Page 509 (C-4-2015)
GTIN	4017918152536
Weight per piece (including packing)	183.3 g
Weight per piece (excluding packing)	183.3 g
Customs tariff number	85389099
Country of origin	DE

HC-D 25-AMLD - Housing

1672754

<https://www.phoenixcontact.com/in/products/1672754>

Technical data

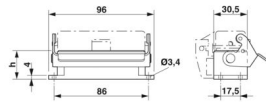
Notes

General	For contact inserts HC-D25, A16
---------	---------------------------------

Product properties

Product type	Housing with locking latch
Housing type	Panel mounting base
Application	Standard
Type	D25
Protective cover	yes
Shielded	no
Pg screw connection	none

Dimensions

Dimensional drawing	
Width	30.5 mm
Height	26 mm
Length	96 mm

Installation dimensions

Width of the assembly cutout	24 mm
Length of the assembly cutout	74 mm

Material specifications

Seal material	NBR CR
Housing material	Die-cast aluminum
Housing surface material	Powder-coated, gray
Material, protective cover	PA
Locking latch material	Steel, galvanized

Mechanical properties

Mechanical data

Locking type	Latch
--------------	-------

Mounting

Assembly note	The flat gasket is supplied closed. The required opening is not created until the assembly stage.
---------------	---

HC-D 25-AMLD - Housing

1672754

<https://www.phoenixcontact.com/in/products/1672754>



Environmental and real-life conditions

Ambient conditions

Degree of protection	IP65 (When plugged in)
	IP54 (with closed protective cover)
Ambient temperature (operation)	-40 °C ... 125 °C

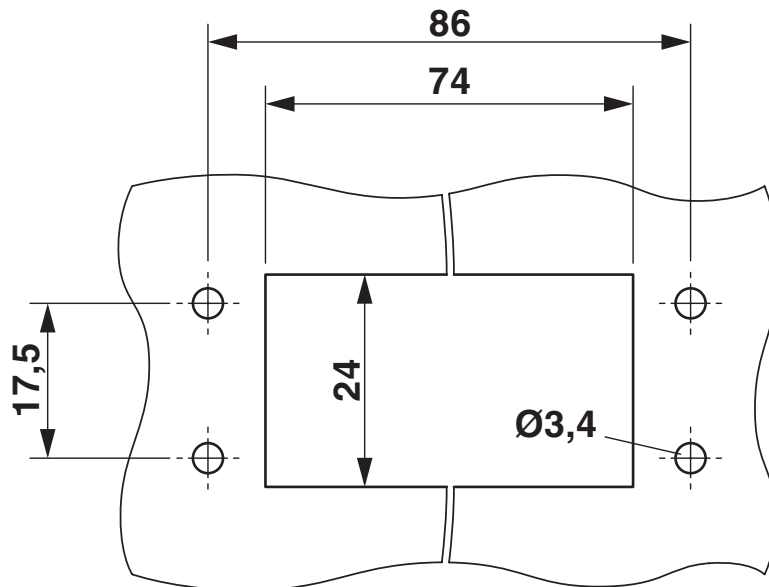
HC-D 25-AMLD - Housing

1672754

<https://www.phoenixcontact.com/in/products/1672754>

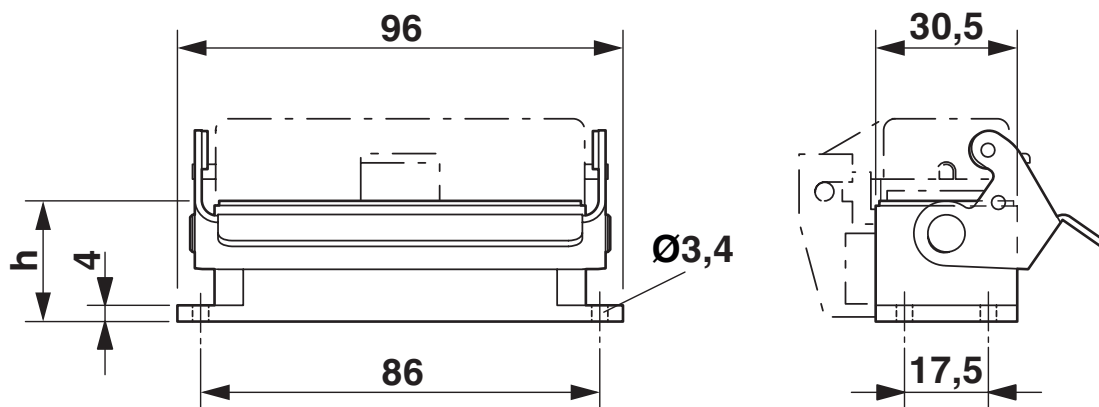
Drawings

Dimensional drawing



Mounting cutout

Dimensional drawing



Dimensional drawing

HC-D 25-AMLD - Housing

1672754

<https://www.phoenixcontact.com/in/products/1672754>



Classifications

ECLASS

ECLASS-11.0	27440202
ECLASS-13.0	27440202

HC-D 25-AMLD - Housing



1672754

<https://www.phoenixcontact.com/in/products/1672754>

Environmental product compliance

EU RoHS

Fulfills EU RoHS substance requirements	Yes, No exemptions
---	--------------------

China RoHS

Environment friendly use period (EFUP)	EFUP-E
	No hazardous substances above the limits

EU REACH SVHC

REACH candidate substance (CAS No.)	No substance above 0.1 wt%
-------------------------------------	----------------------------

Phoenix Contact 2024 © - all rights reserved
<https://www.phoenixcontact.com>

PHOENIX CONTACT (I) Pvt. Ltd.
A-58/2, Okhla Industrial Area, Phase - II, New Delhi-110 020

+91.1275.71420
info@phoenixcontact.co.in