

HC-M-PN3-4,00-ST - Pneumatic contact



1663501

<https://www.phoenixcontact.com/in/products/1663501>

Please be informed that the data shown in this PDF document is generated from our online catalog. Please find the complete data in the user documentation. Our general terms of use for downloads are valid.

Pneumatic pin, for HC-M-PN3 module, internal hose diameter of 4.0 mm



Commercial data

Item number	1663501
Packing unit	10 pc
Minimum order quantity	10 pc
Sales key	BF7
Product key	BF7ACZ
Catalog page	Page 593 (C-2-2019)
GTIN	4017918123314
Weight per piece (including packing)	0.97 g
Weight per piece (excluding packing)	0.8 g
Customs tariff number	39174000
Country of origin	US

HC-M-PN3-4,00-ST - Pneumatic contact



1663501

<https://www.phoenixcontact.com/in/products/1663501>

Technical data

Product properties

Product type	Pneumatic contact
Series	HC-M-03-PN
Type	Individual male contact
Integrated valve	No

Data management status

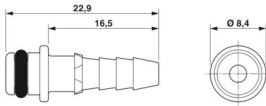
Article revision	02
------------------	----

Connection data

Connection technology

Connection technology	Hose connection
-----------------------	-----------------

Dimensions

Dimensional drawing	
Width	8.2 mm
Height	8.2 mm
Depth	22.7 mm
Diameter	4 mm

Mechanical characteristics

Internal diameter of pressure hose connection	4 mm
Contact diameter	5.2 mm

Material specifications

Material Valve	Polypropylene
Seal material	Buna-N
Contact material	Delrin acetal

Mechanical properties

Mechanical data

Insertion/withdrawal cycles	≥ 500
-----------------------------	-------

Characteristics

Operating pressure	8.00 bar
--------------------	----------

Environmental and real-life conditions

Ambient conditions

HC-M-PN3-4,00-ST - Pneumatic contact



1663501

<https://www.phoenixcontact.com/in/products/1663501>

Ambient temperature (operation)

-40 °C ... 80 °C

HC-M-PN3-4,00-ST - Pneumatic contact

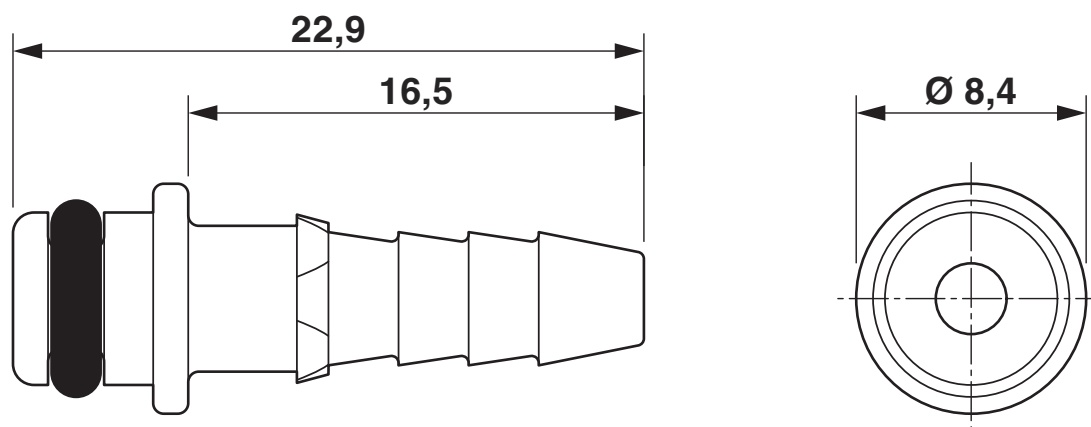


1663501

<https://www.phoenixcontact.com/in/products/1663501>

Drawings

Dimensional drawing



HC-M-PN3-4,00-ST - Pneumatic contact



1663501

<https://www.phoenixcontact.com/in/products/1663501>

Approvals

To download certificates, visit the product detail page: <https://www.phoenixcontact.com/in/products/1663501>



EAC

Approval ID: RU C-DE.AI30.B.01102

HC-M-PN3-4,00-ST - Pneumatic contact



1663501

<https://www.phoenixcontact.com/in/products/1663501>

Classifications

ECLASS

ECLASS-11.0	27440204
ECLASS-12.0	27440204
ECLASS-13.0	27440204

ETIM

ETIM 9.0	EC000796
----------	----------

UNSPSC

UNSPSC 21.0	39121500
-------------	----------

HC-M-PN3-4,00-ST - Pneumatic contact



1663501

<https://www.phoenixcontact.com/in/products/1663501>

Environmental product compliance

EU RoHS

Fulfills EU RoHS substance requirements	Yes, No exemptions
---	--------------------

China RoHS

Environment friendly use period (EFUP)	EFUP-E
	No hazardous substances above the limits

EU REACH SVHC

REACH candidate substance (CAS No.)	No substance above 0.1 wt%
-------------------------------------	----------------------------

HC-M-PN3-4,00-ST - Pneumatic contact



1663501

<https://www.phoenixcontact.com/in/products/1663501>

Accessories

HC-M-PN3-ERSORI - Sealing ring

1408203

<https://www.phoenixcontact.com/in/products/1408203>

Replacement O-ring for HC-M-PN3...ST pneumatic pin contacts



HC-M-03-PN-M-F - Contact insert module

1417433

<https://www.phoenixcontact.com/in/products/1417433>

Contact insert module, number of positions: 3, Socket, Pin, application: Pneumatics, for internal hose diameter of 1.6 / 3 / 4 mm



HC-M-PN3-4,00-ST - Pneumatic contact

1663501

<https://www.phoenixcontact.com/in/products/1663501>



HC-M-PN3-4,00-BU - Pneumatic contact

1663530

<https://www.phoenixcontact.com/in/products/1663530>

Pneumatic socket, for HC-M-PN3 module, internal hose diameter of 4.0 mm



Phoenix Contact 2024 © - all rights reserved

<https://www.phoenixcontact.com>

PHOENIX CONTACT (I) Pvt. Ltd.

A-58/2, Okhla Industrial Area, Phase - II, New Delhi-110 020

+91.1275.71420

info@phoenixcontact.co.in