

SACC-M12MS-5CON-PG 7-M - Connector



1663116

<https://www.phoenixcontact.com/in/products/1663116>

Please be informed that the data shown in this PDF document is generated from our Online Catalog. Please find the complete data in the user documentation. Our General Terms of Use for Downloads are valid.



Connector, Universal, 5-position, Plug straight M12, A, Screw connection, knurl material: Zinc die-cast, nickel-plated, cable gland Pg7, external cable diameter 4 mm ... 6 mm

Your advantages

- Safe use in the field, thanks to a high degree of protection
- Screw connection: proven connection technology for a large selection of different conductors

Commercial Data

| | |
|--------------------------------------|--------------------|
| Item number | 1663116 |
| Packing unit | 1 pc |
| Minimum order quantity | 1 pc |
| Sales Key | BF2 |
| Product Key | BF2CAA |
| Catalog Page | Page 22 (C-2-2019) |
| GTIN | 4017918116583 |
| Weight per Piece (including packing) | 23.62 g |
| Weight per Piece (excluding packing) | 23.13 g |
| Customs tariff number | 85366990 |
| Country of origin | DE |

SACC-M12MS-5CON-PG 7-M - Connector



1663116

<https://www.phoenixcontact.com/in/products/1663116>

Technical Data

Notes

| | |
|---------|--|
| General | NOTE: Observe the permissible bending radii when laying conductors, since the degree of protection may be put in jeopardy if the bending forces are too high. Alleviate mechanical loads upstream of the connector, e.g. by using cable ties. |
|---------|--|

Mounting

| | |
|-----------------------|--|
| Assembly instructions | The wires can be connected both with ferrules and without ferrules |
| Connection method | Screw connection |

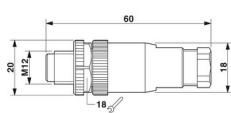
Product properties

| | |
|----------------------|---------------------------------|
| Product type | Circular connector (cable-side) |
| Number of positions | 5 |
| Sensor type | Universal |
| No. of cable outlets | 1 |
| Shielded | no |
| Coding | A |
| Cable outlet | straight |
| Pg screw connection | Pg7 |

Insulation characteristics

| | |
|----------------------|----|
| Overvoltage category | II |
| Degree of pollution | 3 |

Dimensions

| | |
|---------------------|--|
| Dimensional drawing |  |
| Width | 20 mm |
| Height | 20 mm |
| Length | 60 mm |

External dimensions

| | |
|------------------|---------------|
| Outside diameter | 4 mm ... 6 mm |
|------------------|---------------|

Housing

| | |
|------------------|-------|
| Diameter housing | 20 mm |
|------------------|-------|

Material specifications

| | |
|--|-------|
| Color Handle area | black |
| Flammability rating according to UL 94 | HB |

SACC-M12MS-5CON-PG 7-M - Connector



1663116

<https://www.phoenixcontact.com/in/products/1663116>

| | |
|-------------------------------|------------------------------|
| Seal material | NBR |
| Material of grip body | PA |
| Contact material | CuZn |
| Contact surface material | CuSnZn |
| Contact carrier material | PA |
| Material for screw connection | Zinc die-cast, nickel-plated |

Connection data

Conductor connection

| | |
|---|---|
| Connection method | Screw connection |
| Connection cross section | 0.25 mm ² ... 0.75 mm ² (without ferrule) |
| | 0.14 mm ² ... 0.75 mm ² (with ferrule) |
| | 0.25 mm ² ... 0.75 mm ² (solid) |
| Connection cross section AWG | 24 ... 18 (without ferrule) |
| | 26 ... 20 (with ferrule) |
| Stripping length of the individual wire | 5 mm |
| Tightening torque | 0.4 Nm (M12 knurl) |
| | 0.2 Nm (Screw terminal blocks) |
| | 0.8 Nm ... 1 Nm (Pressure screw) |

Electrical properties

| | |
|--------------------------------|----------|
| Rated surge voltage | 1.5 kV |
| Contact resistance | ≤ 8 mΩ |
| Insulation resistance | ≥ 100 MΩ |
| Nominal voltage U _N | 48 V AC |
| | 60 V DC |
| Nominal current I _N | 4 A |

Mechanical properties

Mechanical data

| | |
|-----------------------------|------|
| Insertion/withdrawal cycles | ≥ 50 |
|-----------------------------|------|

Connector

Connection 1

| | |
|-------------------|----------|
| Head design | Plug |
| Head cable outlet | straight |
| Head thread type | M12 |
| Coding | A |

Cable/line

| | |
|---|-----------|
| Signal type/category | Universal |
| Stripping length of the individual wire | 5 mm |

SACC-M12MS-5CON-PG 7-M - Connector



1663116

<https://www.phoenixcontact.com/in/products/1663116>

Environmental and real-life conditions

Ambient conditions

| | |
|---------------------------------|----------------------------------|
| Degree of protection | IP67 |
| Ambient temperature (operation) | -40 °C ... 85 °C (Plug / socket) |

Standards and regulations

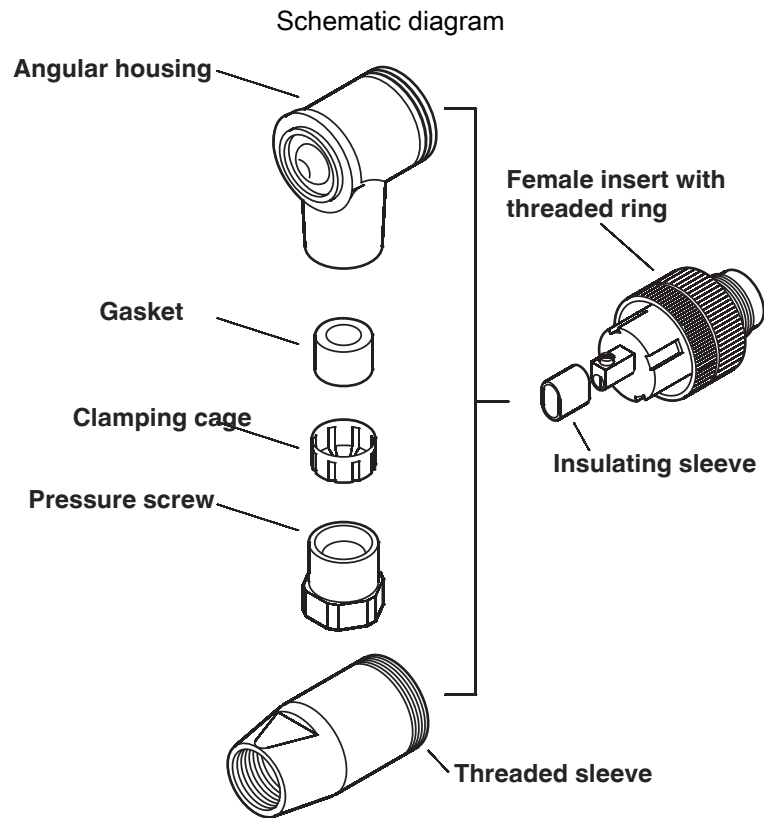
| | |
|--------------------------|-----------------|
| Standards/specifications | IEC 61076-2-101 |
|--------------------------|-----------------|

SACC-M12MS-5CON-PG 7-M - Connector

1663116

<https://www.phoenixcontact.com/in/products/1663116>

Drawings

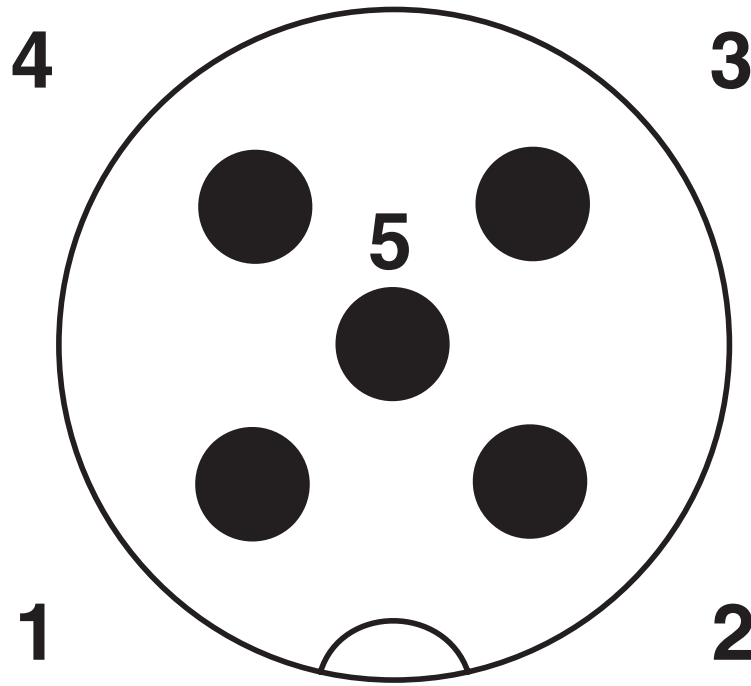


Male/Female M12

1663116

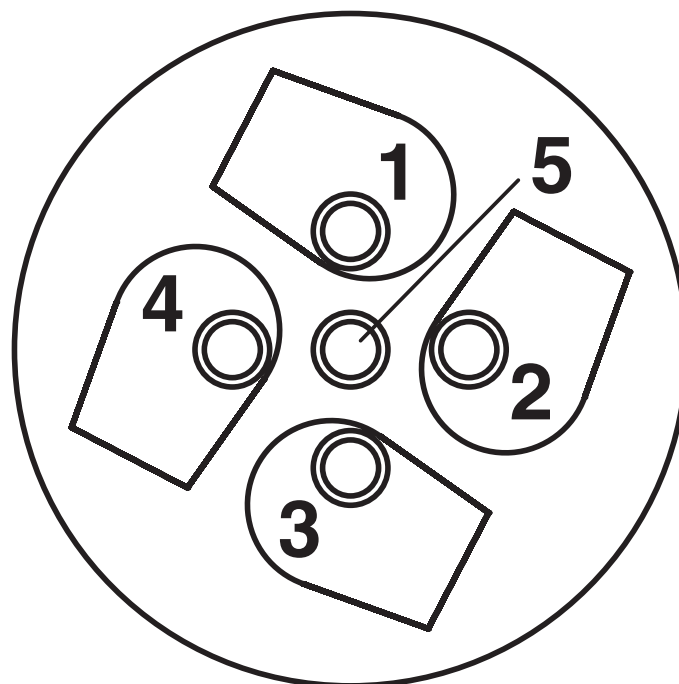
<https://www.phoenixcontact.com/in/products/1663116>

Schematic diagram



Pin assignment M12 male connector, 5-pos., A-coded, male side

Schematic diagram



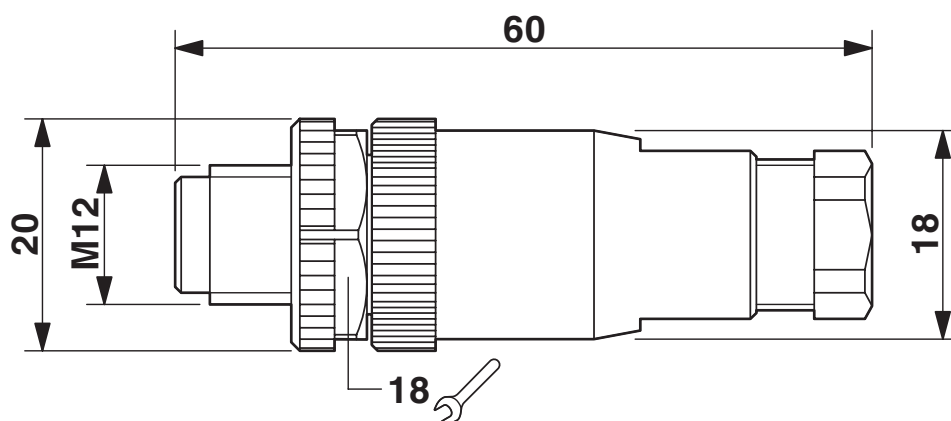
Cable connection side M12 (screw connection)

SACC-M12MS-5CON-PG 7-M - Connector

1663116

<https://www.phoenixcontact.com/in/products/1663116>

Dimensional drawing



Plug, M12 x 1, straight

SACC-M12MS-5CON-PG 7-M - Connector



1663116

<https://www.phoenixcontact.com/in/products/1663116>

Approvals

|  cUL Recognized Approval ID: FILE E 221474 | | | | |
|---|-----------------------|-----------------------|-------------------|-----------------------------|
| | Nominal Voltage U_N | Nominal Current I_N | Cross Section AWG | Cross Section mm^2 |
| | 60 V | 4 A | - | - |

|  UL Recognized Approval ID: FILE E 221474 | | | | |
|--|-----------------------|-----------------------|-------------------|-----------------------------|
| | Nominal Voltage U_N | Nominal Current I_N | Cross Section AWG | Cross Section mm^2 |
| | 60 V | 4 A | - | - |

SACC-M12MS-5CON-PG 7-M - Connector



1663116

<https://www.phoenixcontact.com/in/products/1663116>

Classifications

ECLASS

| | |
|-------------|----------|
| ECLASS-11.0 | 27440102 |
| ECLASS-12.0 | 27440116 |
| ECLASS-13.0 | 27440116 |

ETIM

| | |
|----------|----------|
| ETIM 8.0 | EC002635 |
|----------|----------|

UNSPSC

| | |
|-------------|----------|
| UNSPSC 21.0 | 39121400 |
|-------------|----------|

SACC-M12MS-5CON-PG 7-M - Connector



1663116

<https://www.phoenixcontact.com/in/products/1663116>

Environmental Product Compliance

| | |
|------------|--|
| REACH SVHC | Lead 7439-92-1 |
| China RoHS | Environmentally Friendly Use Period = 50 years |
| | For information on hazardous substances, refer to the manufacturer's declaration available under "Downloads" |

SACC-M12MS-5CON-PG 7-M - Connector



1663116

<https://www.phoenixcontact.com/in/products/1663116>

Accessories

SACC-M12-SET/2,5-3,5 - Connector

1436505

<https://www.phoenixcontact.com/in/products/1436505>



Sensor/actuator connector, accessories, pressure screw and Pg7 seal, for unshielded M12 connector, cable diameter 2.5 mm - 3.5 mm

TSD 04 SAC - Torque screwdriver

1208429

<https://www.phoenixcontact.com/in/products/1208429>



Torque screwdriver, with preset torque of 0.4 Nm and 4 mm hexagonal drive for M12 connectors

SACC-M12MS-5CON-PG 7-M - Connector



1663116

<https://www.phoenixcontact.com/in/products/1663116>

TSD-M 1,2NM - Torque screwdriver

1212224

<https://www.phoenixcontact.com/in/products/1212224>



Torque screw driver, accuracy as per EN ISO 6789 standard, adjustable from 0.3 - 1.2 Nm

TSD-M SAC-BIT ADAPTER - Adapter insert

1212600

<https://www.phoenixcontact.com/in/products/1212600>



Adapter bit for TSD-M...torque tools, E6.3-1/4" drive with 4 mm hexagon to accommodate SAC bits

SACC-M12MS-5CON-PG 7-M - Connector

1663116

<https://www.phoenixcontact.com/in/products/1663116>



SACC BIT M12-D20 - Tool

1208445

<https://www.phoenixcontact.com/in/products/1208445>

Nut for assembling M12 connectors for assembly with a knurl diameter of 20 mm, for 4 mm hexagonal drive



PROT-M12 FS-PA-CHAIN - Sealing cap

1430873

<https://www.phoenixcontact.com/in/products/1430873>

M12 sealing cap made of plastic with fixing band, for sensor cables, for free M12 plugs



SACC-M12MS-5CON-PG 7-M - Connector



1663116

<https://www.phoenixcontact.com/in/products/1663116>

SAC-5P-100,0-PUR/0,34 - Cable reel

1501676

<https://www.phoenixcontact.com/in/products/1501676>



By the meter, Cable reel, PUR halogen-free, black-gray RAL 7021, 5-wire, color single wire: brown, white, blue, black, green-yellow, cable length: 100 m

A 0,25- 5 - Ferrule

3202465

<https://www.phoenixcontact.com/in/products/3202465>



Ferrule, length: 5 mm, color: silver

SACC-M12MS-5CON-PG 7-M - Connector



1663116

<https://www.phoenixcontact.com/in/products/1663116>

CRIMPFOX 6H - Crimping pliers

1212046

<https://www.phoenixcontact.com/in/products/1212046>



Crimping pliers, for ferrules without insulating collar according to DIN 46228 Part 1 and ferrules with insulating collar according to DIN 46228 Part 4, 0.14 mm² ... 6 mm², unlockable pressure lock, lateral entry

SZF 1-0,6X3,5 - Screwdriver

1204517

<https://www.phoenixcontact.com/in/products/1204517>



Actuation tool, for ST terminal blocks, also suitable for use as a bladed screwdriver, size: 0.6 x 3.5 x 100 mm, 2-component grip, with non-slip grip

Phoenix Contact 2023 © - all rights reserved
<https://www.phoenixcontact.com>

PHOENIX CONTACT (I) Pvt. Ltd.
A-58/2, Okhla Industrial Area, Phase - II, New Delhi-110 020

+91.1275.71420
info@phoenixcontact.co.in