

VS-PN-RJ45-5-Q/IP20 - RJ45 connector



1658435

<https://www.phoenixcontact.com/pc/products/1658435>

Please be informed that the data shown in this PDF document is generated from our Online Catalog. Please find the complete data in the user documentation. Our General Terms of Use for Downloads are valid.



RJ45 connector, design: RJ45, degree of protection: IP20, number of positions: 4, 100 Mbps, CAT5, material: Plastic, connection method: Insulation displacement connection, cable outlet: straight, color: traffic grey A RAL 7042, PROFINET

Your advantages

- Easy and time-saving assembly with IDC fast connection technology
- Can be used internationally due to EAC, UL 1863, and CAN/CSA C22.2
- Ideal companion for servicing or repairs in the field: no special tools required for mounting

Commercial Data

Item number	1658435
Packing unit	1 pc
Minimum order quantity	1 pc
Product Key	ABNAAD
Catalog Page	Page 372 (C-2-2019)
GTIN	4046356163118
Weight per Piece (including packing)	10.193 g
Weight per Piece (excluding packing)	10.193 g
Customs tariff number	85366990
Country of origin	CH

VS-PN-RJ45-5-Q/IP20 - RJ45 connector



1658435

<https://www.phoenixcontact.com/pc/products/1658435>

Technical Data

Notes

General	This product corresponds to the PROFINET Cabling and Interconnection Technology Guideline for PROFINET regulations, version 2.00, order no: 2.252, Chapter 8.1 Connectors for Outside Environment (Balanced cabling)
---------	--

Product properties

Type	RJ45
Product type	Data connector (cable side)
Number of positions	4
Sensor type	PROFINET
Connection profile	RJ45
No. of cable outlets	1
Type	RJ45
Locking type	Locking clips
Shielded	yes
Cable outlet	straight

Insulation characteristics

Overvoltage category	I
Degree of pollution	2

Electrical properties

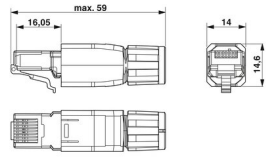
Min. AWG, flexible, multi-strand	22
Rated voltage (III/3)	72 V (DC)
Rated surge voltage	330 kV
Rated current	1.75 A
Contact resistance	< 100 mΩ (max.)
Frequency range	100 MHz
Insulation resistance	> 500 MΩ (100 V)
Nominal voltage U_N	48 V
Nominal current I_N	1.75 A
Contact resistance per contact pair	< 20 Ω
Contact resistance	> 10 mΩ (Wire – IDC) < 0.005 Ω (Litz wires – IDC)
Transmission medium	Copper
Transmission characteristics (category)	CAT5
Transmission speed	100 Mbps
Power transmission	PoE+

Dimensions

VS-PN-RJ45-5-Q/IP20 - RJ45 connector

1658435

<https://www.phoenixcontact.com/pc/products/1658435>

Dimensional drawing	
Width	14 mm
Height	14.6 mm
Length	56 mm

Material specifications

Color	gray
Material	Plastic
Flammability rating according to UL 94	V0
Cable seal material	NBR
Contact material	CuSn
Contact surface material	Au/Ni
Contact carrier material	PC
O-ring material	FPM
Material for screw connection	PA
Housing material	Plastic

Cable/line

External cable diameter	4.5 mm ... 8 mm
	4.5 mm ... 8 mm
Wire diameter	1.6 mm
Test voltage Core/Core	1000 V
Test voltage Core/Shield	1500 V
Halogen-free	no

Mechanical properties

Mechanical data

Insertion/withdrawal cycles	≥ 750
Insertion force per signal contact	< 20.00 N
Extraction force per signal contact	< 20 N

Environmental and real-life conditions

Ambient conditions

Degree of protection	IP20
Ambient temperature (operation)	-20 °C ... 70 °C
Ambient temperature (storage/transport)	-40 °C ... 70 °C

Mounting

VS-PN-RJ45-5-Q/IP20 - RJ45 connector



1658435

<https://www.phoenixcontact.com/pc/products/1658435>

Mounting type	For field assembly
Connection method	Insulation displacement connection

VS-PN-RJ45-5-Q/IP20 - RJ45 connector

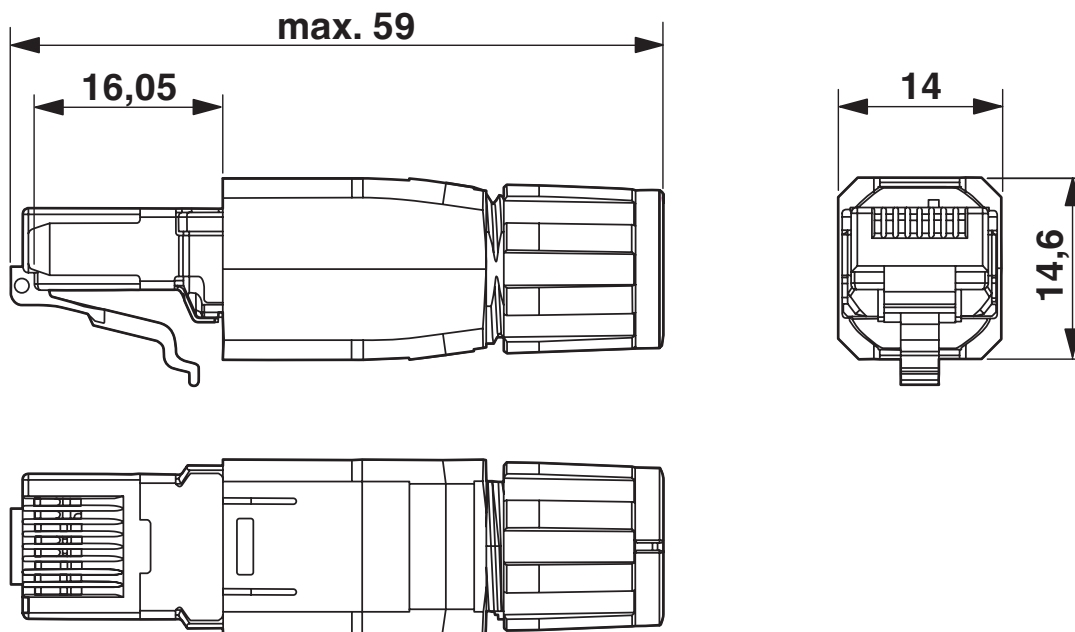


1658435

<https://www.phoenixcontact.com/pc/products/1658435>

Drawings

Dimensional drawing



RJ45 connector, IP20

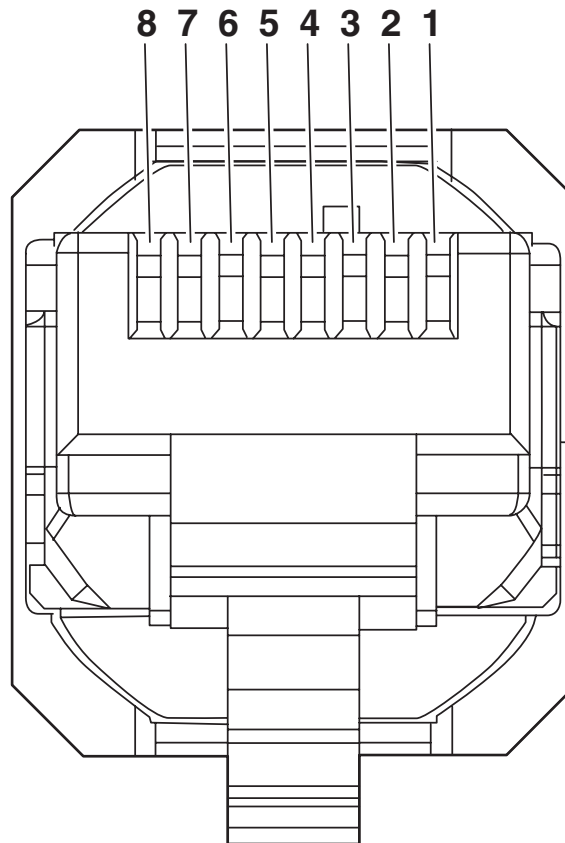
VS-PN-RJ45-5-Q/IP20 - RJ45 connector

1658435

<https://www.phoenixcontact.com/pc/products/1658435>



Schematic diagram



VS-PN-RJ45-5-Q/IP20 - RJ45 connector



1658435

<https://www.phoenixcontact.com/pc/products/1658435>

Approvals



EAC

Approval ID: B.01687



UL Listed

Approval ID: FILE E 335024



cUL Listed

Approval ID: FILE E 335024

VS-PN-RJ45-5-Q/IP20 - RJ45 connector



1658435

<https://www.phoenixcontact.com/pc/products/1658435>

Classifications

ECLASS

ECLASS-11.0	27440101
ECLASS-12.0	27440113
ECLASS-13.0	27440113

ETIM

ETIM 8.0	EC002636
----------	----------

UNSPSC

UNSPSC 21.0	39121400
-------------	----------

VS-PN-RJ45-5-Q/IP20 - RJ45 connector



1658435

<https://www.phoenixcontact.com/pc/products/1658435>

Environmental Product Compliance

China RoHS	Environmentally friendly use period: unlimited = EFUP-e
	No hazardous substances above threshold values

VS-PN-RJ45-5-Q/IP20 - RJ45 connector



1658435

<https://www.phoenixcontact.com/pc/products/1658435>

Accessories

VS-08-RJ45-Q-COD-SET - RJ45 coding rings

1656893

<https://www.phoenixcontact.com/pc/products/1656893>

Coding set, for color encoding of the RJ45 QUICKON connector, consisting of 80 color rings, 10 rings each in the colors: white, blue, red, green, yellow, violet, brown, gray



VS-CABLE-STRIP-VARIO - Stripping tool

1657407

<https://www.phoenixcontact.com/pc/products/1657407>

Stripping tool, for the multi-level stripping of shielded cables



VS-PN-RJ45-5-Q/IP20 - RJ45 connector

1658435

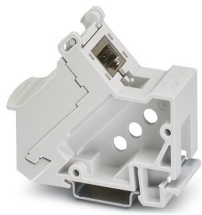
<https://www.phoenixcontact.com/pc/products/1658435>



CUC-PP-D1PGY/R4IDC8 - DIN rail adapter

1419024

<https://www.phoenixcontact.com/pc/products/1419024>

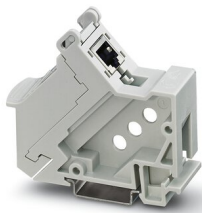


DIN rail adapter, design: RJ45, degree of protection: IP20, number of positions: 8, 10 Gbps, CAT6_A, material: PC-GF, connection method: IDC connection, connection cross section: AWG 26- 22, color: gray

VS-PP-F-RJ45-CAT6 - DIN rail adapter

1658118

<https://www.phoenixcontact.com/pc/products/1658118>



DIN rail adapter, degree of protection: IP20, number of positions: 8, 1 Gbps, CAT6, material: PC-GF, connection method: IDC fast connection, connection cross section: AWG 24- 22, color: gray

VS-PN-RJ45-5-Q/IP20 - RJ45 connector

1658435

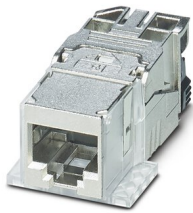
<https://www.phoenixcontact.com/pc/products/1658435>



CUC-F-J1ZNI-S/R4IDC8 - RJ45 socket insert

1418984

<https://www.phoenixcontact.com/pc/products/1418984>

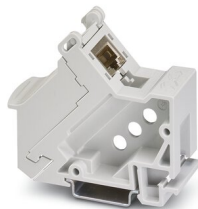


RJ45 socket insert, design: RJ45, degree of protection: IP20, number of positions: 8, 10 Gbps, CAT6_A, material: Metal, connection method: IDC connection, connection cross section: AWG 26- 22, cable outlet: straight, Freenet design for use with IP67 panel mounting frame and terminal outlets, Ethernet

CUC-PP-D1PGY/R4GC8 - DIN rail adapter

1418094

<https://www.phoenixcontact.com/pc/products/1418094>



DIN rail adapter, design: RJ45, degree of protection: IP20, number of positions: 8, 1 Gbps, CAT6, material: PC-GF, connection method: Coupling, color: gray

VS-PN-RJ45-5-Q/IP20 - RJ45 connector

1658435

<https://www.phoenixcontact.com/pc/products/1658435>



CUC-K-J1ZNI-S/R4IDC8 - RJ45 socket insert

1419021

<https://www.phoenixcontact.com/pc/products/1419021>



RJ45 socket insert, design: RJ45, degree of protection: IP20, number of positions: 8, 10 Gbps, CAT6_A, material: Metal, connection method: IDC connection, connection cross section: AWG 26- 22, cable outlet: straight, Keystone design for use with IP20 panel mounting frame or integrated directly into the housing panel, Ethernet

VS-OE-OE-93B-100,0 - Data cable

1416389

<https://www.phoenixcontact.com/pc/products/1416389>



Data cable, PROFINET CAT5 (100 Mbps), 4-position, shielded, free cable end, on free cable end, cable length: 100 m

VS-PN-RJ45-5-Q/IP20 - RJ45 connector

1658435

<https://www.phoenixcontact.com/pc/products/1658435>

VS-OE-OE-93B/... - Data cable

1417362

<https://www.phoenixcontact.com/pc/products/1417362>



Data cable, PROFINET CAT5 (100 Mbps), 4-position, shielded, free cable end, on free cable end, cable length: Free entry (0.5 ... 400 m)

VS-OE-OE-93C-100,0 - Data cable

1416376

<https://www.phoenixcontact.com/pc/products/1416376>



Data cable, PROFINET CAT5 (100 Mbps), 4-position halogen-free, shielded, free cable end, on free cable end, cable length: 100 m

VS-PN-RJ45-5-Q/IP20 - RJ45 connector

1658435

<https://www.phoenixcontact.com/pc/products/1658435>



VS-OE-OE-93C/... - Data cable

1417491

<https://www.phoenixcontact.com/pc/products/1417491>



Data cable, PROFINET CAT5 (100 Mbps), 4-position halogen-free, shielded, free cable end, on free cable end, cable length: Free entry (0.5 ... 400 m)

Phoenix Contact 2023 © - all rights reserved

<https://www.phoenixcontact.com>

PHOENIX CONTACT GmbH & Co. KG

Flachsmarktstraße 8

D-32825 Blomberg

+49 (0) 5235-3 00

info@phoenixcontact.com