

VS-08-RJ45-5-Q/IP20 - RJ45 connector



1656725

<https://www.phoenixcontact.com/pc/products/1656725>

Please be informed that the data shown in this PDF document is generated from our Online Catalog. Please find the complete data in the user documentation. Our General Terms of Use for Downloads are valid.



RJ45 connector, design: RJ45, degree of protection: IP20, number of positions: 8, 1 Gbps, CAT5, material: Plastic, connection method: Insulation displacement connection, connection cross section: AWG 26- 23, cable outlet: straight, color: traffic grey A RAL 7042, Ethernet

Your advantages

- Easy and time-saving assembly with IDC fast connection technology
- Can be used internationally due to EAC, UL 1863, and CAN/CSA C22.2
- Ideal companion for servicing or repairs in the field: no special tools required for mounting

Commercial Data

Item number	1656725
Packing unit	1 pc
Minimum order quantity	1 pc
Product Key	ABNAAD
Catalog Page	Page 372 (C-2-2019)
GTIN	4046356030045
Weight per Piece (including packing)	10.5 g
Weight per Piece (excluding packing)	8.094 g
Customs tariff number	85366990
Country of origin	CH

VS-08-RJ45-5-Q/IP20 - RJ45 connector

1656725

<https://www.phoenixcontact.com/pc/products/1656725>

Technical Data

Product properties

Type	RJ45
Product type	Data connector (cable side)
Number of positions	8
Sensor type	Ethernet
Connection profile	RJ45
No. of cable outlets	1
Type	RJ45
Locking type	Locking clips
Shielded	yes
Cable outlet	straight

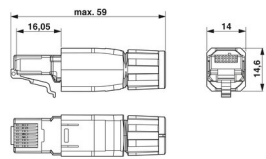
Insulation characteristics

Overvoltage category	I
Degree of pollution	2

Electrical properties

Min. AWG, flexible, multi-strand	26
Rated voltage (III/3)	72 V (DC)
Rated surge voltage	330 kV
Rated current	1.75 A
Contact resistance	< 100 m Ω (max.)
Frequency range	to 100 MHz
Insulation resistance	> 500 M Ω
Nominal voltage U_N	48 V
Nominal current I_N	1.75 A
Contact resistance per contact pair	< 20 Ω
Contact resistance	> 10 m Ω (Wire – IDC) 0.005 Ω (Litz wires – IDC)
Transmission medium	Copper
Transmission characteristics (category)	CAT5
Transmission speed	1 Gbps
Power transmission	PoE++

Dimensions

Dimensional drawing	
---------------------	--

VS-08-RJ45-5-Q/IP20 - RJ45 connector



1656725

<https://www.phoenixcontact.com/pc/products/1656725>

Width	14 mm
Height	14.6 mm
Length	56 mm

Material specifications

Color	gray
Material	Plastic
Flammability rating according to UL 94	V0
Contact material	CuSn
Contact surface material	Au/Ni
Contact carrier material	PC
Material for screw connection	PA
Housing material	Plastic

Cable/line

External cable diameter	4.5 mm ... 8 mm
	4.5 mm ... 8 mm
Wire diameter including insulation	1.6 mm
Test voltage Core/Core	1000 V
Test voltage Core/Shield	1500 V
Halogen-free	no

Mechanical properties

Mechanical data

Insertion/withdrawal cycles	≥ 1000
Insertion force per signal contact	< 20.00 N
Extraction force per signal contact	< 20 N

Environmental and real-life conditions

Ambient conditions

Degree of protection	IP20
Ambient temperature (operation)	-20 °C ... 70 °C

Mounting

Mounting type	For field assembly
Connection method	Insulation displacement connection

VS-08-RJ45-5-Q/IP20 - RJ45 connector

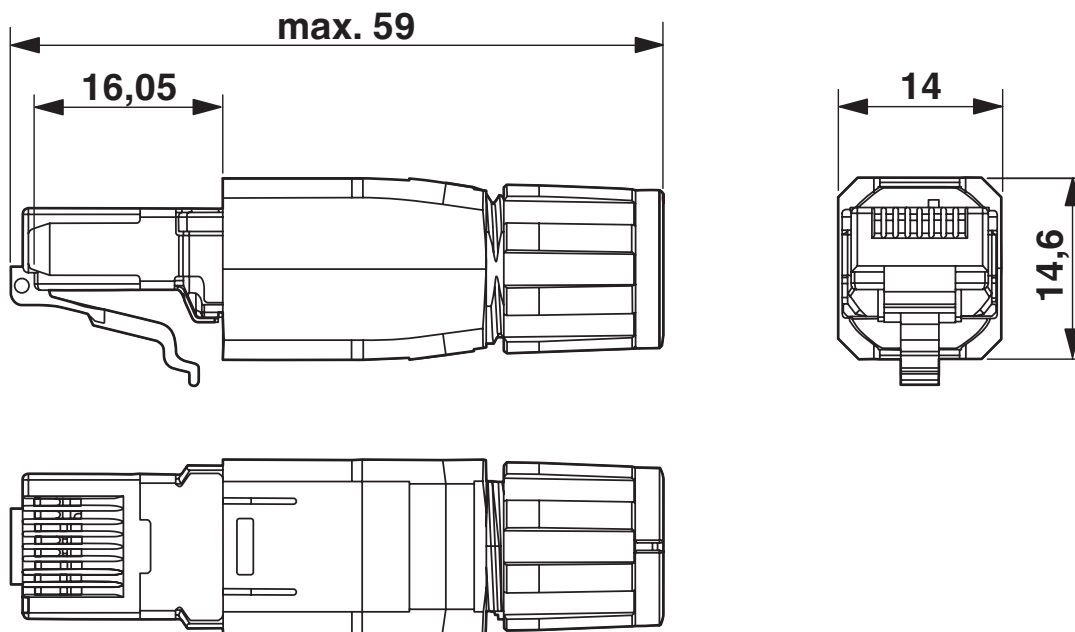
1656725

<https://www.phoenixcontact.com/pc/products/1656725>



Drawings

Dimensional drawing



RJ45 connector, IP20

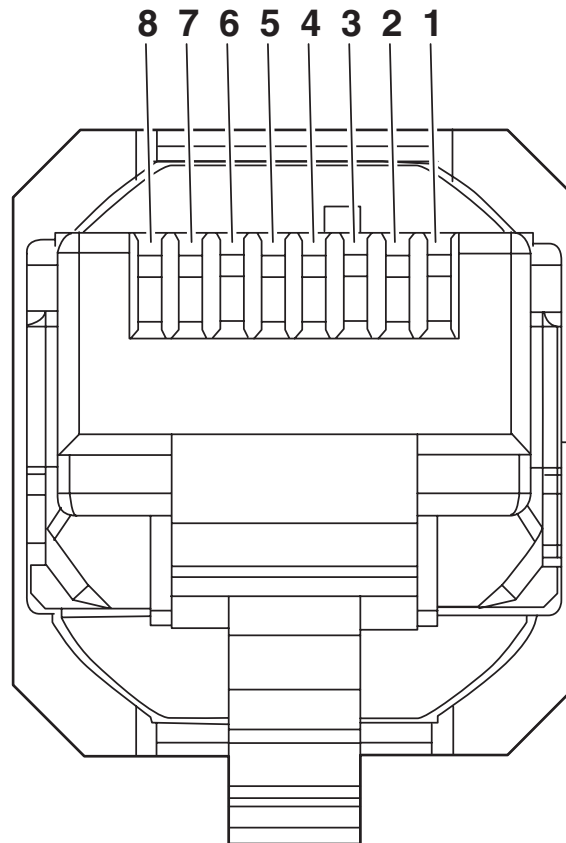
VS-08-RJ45-5-Q/IP20 - RJ45 connector

1656725

<https://www.phoenixcontact.com/pc/products/1656725>



Schematic diagram



VS-08-RJ45-5-Q/IP20 - RJ45 connector



1656725

<https://www.phoenixcontact.com/pc/products/1656725>

Approvals



EAC

Approval ID: B.01687



DNV GL

Approval ID: TAE000020F



UL Listed

Approval ID: FILE E 335024



cUL Listed

Approval ID: FILE E 335024

VS-08-RJ45-5-Q/IP20 - RJ45 connector



1656725

<https://www.phoenixcontact.com/pc/products/1656725>

Classifications

ECLASS

ECLASS-11.0	27440101
ECLASS-12.0	27440113
ECLASS-13.0	27440113

ETIM

ETIM 8.0	EC002636
----------	----------

UNSPSC

UNSPSC 21.0	39121400
-------------	----------

VS-08-RJ45-5-Q/IP20 - RJ45 connector



1656725

<https://www.phoenixcontact.com/pc/products/1656725>

Environmental Product Compliance

China RoHS	Environmentally friendly use period: unlimited = EFUP-e
	No hazardous substances above threshold values

VS-08-RJ45-5-Q/IP20 - RJ45 connector



1656725

<https://www.phoenixcontact.com/pc/products/1656725>

Accessories

VS-08-RJ45-Q-COD-SET - RJ45 coding rings

1656893

<https://www.phoenixcontact.com/pc/products/1656893>

Coding set, for color encoding of the RJ45 QUICKON connector, consisting of 80 color rings, 10 rings each in the colors: white, blue, red, green, yellow, violet, brown, gray



VS-CABLE-STRIP-VARIO - Stripping tool

1657407

<https://www.phoenixcontact.com/pc/products/1657407>

Stripping tool, for the multi-level stripping of shielded cables



VS-08-RJ45-5-Q/IP20 - RJ45 connector

1656725

<https://www.phoenixcontact.com/pc/products/1656725>



NBC-PP-G1PGY - DIN rail adapter

1041740

<https://www.phoenixcontact.com/pc/products/1041740>

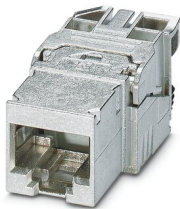


DIN rail adapter, design: Headers with shielding, degree of protection: IP20, material: PC-GF10, connection method: Quick connection, without assembled modules

CUC-I-J1ZNI-S/R4IDC8 - RJ45 socket insert

1417274

<https://www.phoenixcontact.com/pc/products/1417274>



RJ45 socket insert, design: RJ45, degree of protection: IP20, number of positions: 8, 10 Gbps, CAT6_A, material: Metal, connection method: IDC connection, connection cross section: AWG 26- 22, cable outlet: straight, Adapter-free design, Ethernet

VS-08-RJ45-5-Q/IP20 - RJ45 connector

1656725

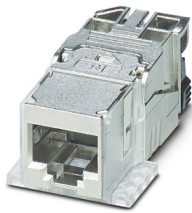
<https://www.phoenixcontact.com/pc/products/1656725>



CUC-F-J1ZNI-S/R4IDC8 - RJ45 socket insert

1418984

<https://www.phoenixcontact.com/pc/products/1418984>

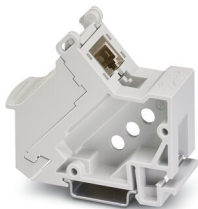


RJ45 socket insert, design: RJ45, degree of protection: IP20, number of positions: 8, 10 Gbps, CAT6_A, material: Metal, connection method: IDC connection, connection cross section: AWG 26- 22, cable outlet: straight, Freenet design for use with IP67 panel mounting frame and terminal outlets, Ethernet

CUC-PP-D1PGY/R4GC8 - DIN rail adapter

1418094

<https://www.phoenixcontact.com/pc/products/1418094>



DIN rail adapter, design: RJ45, degree of protection: IP20, number of positions: 8, 1 Gbps, CAT6, material: PC-GF, connection method: Coupling, color: gray

VS-08-RJ45-5-Q/IP20 - RJ45 connector

1656725

<https://www.phoenixcontact.com/pc/products/1656725>



CUC-K-J1ZNI-S/R4IDC8 - RJ45 socket insert

1419021

<https://www.phoenixcontact.com/pc/products/1419021>



RJ45 socket insert, design: RJ45, degree of protection: IP20, number of positions: 8, 10 Gbps, CAT6_A, material: Metal, connection method: IDC connection, connection cross section: AWG 26- 22, cable outlet: straight, Keystone design for use with IP20 panel mounting frame or integrated directly into the housing panel, Ethernet

VS-OE-OE-93B-100,0 - Data cable

1416389

<https://www.phoenixcontact.com/pc/products/1416389>



Data cable, PROFINET CAT5 (100 Mbps), 4-position, shielded, free cable end, on free cable end, cable length: 100 m

VS-08-RJ45-5-Q/IP20 - RJ45 connector

1656725

<https://www.phoenixcontact.com/pc/products/1656725>

VS-OE-OE-93B/... - Data cable

1417362

<https://www.phoenixcontact.com/pc/products/1417362>



Data cable, PROFINET CAT5 (100 Mbps), 4-position, shielded, free cable end, on free cable end, cable length: Free entry (0.5 ... 400 m)

VS-OE-OE-94B-100,0 - Data cable

1416567

<https://www.phoenixcontact.com/pc/products/1416567>



Data cable, Ethernet CAT5 (1 Gbps), 8-position halogen-free, shielded, free cable end, on free cable end, cable length: 100 m

VS-08-RJ45-5-Q/IP20 - RJ45 connector

1656725

<https://www.phoenixcontact.com/pc/products/1656725>



VS-OE-OE-94B/... - Data cable

1417333

<https://www.phoenixcontact.com/pc/products/1417333>



Data cable, Ethernet CAT5 (1 Gbps), 8-position halogen-free, shielded, free cable end, on free cable end, cable length: Free entry (0.5 ... 400 m)

Phoenix Contact 2023 © - all rights reserved

<https://www.phoenixcontact.com>

PHOENIX CONTACT GmbH & Co. KG

Flachsmarktstraße 8

D-32825 Blomberg

+49 (0) 5235-3 00

info@phoenixcontact.com