

VS-SI-FP-BP - Front plate

1656657

<https://www.phoenixcontact.com/in/products/1656657>

Please be informed that the data shown in this PDF document is generated from our online catalog. Please find the complete data in the user documentation. Our general terms of use for downloads are valid.

Front plate



Commercial data

Item number	1656657
Packing unit	1 pc
Minimum order quantity	1 pc
Sales key	BF7
Product key	BF7ECX
Catalog page	Page 711 (C-2-2019)
GTIN	4046356030021
Weight per piece (including packing)	19.7 g
Weight per piece (excluding packing)	18.4 g
Customs tariff number	39269097
Country of origin	DE

VS-SI-FP-BP - Front plate

1656657

<https://www.phoenixcontact.com/in/products/1656657>

Technical data

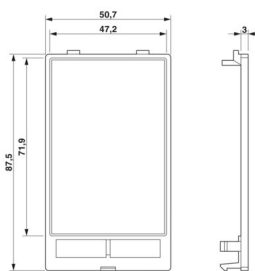
Product properties

Product type	Data front plate
--------------	------------------

Data management status

Article revision	01
------------------	----

Dimensions

Dimensional drawing	
Width	51 mm
Height	12 mm
Length	87.5 mm

Material specifications

Material Housing	PBT
Flammability rating according to UL 94	V0

Environmental and real-life conditions

Ambient conditions

Degree of protection	IP20
Ambient temperature (operation)	-10 °C ... 60 °C

Mounting

Assembly note	suitable for all mounting frames
---------------	----------------------------------

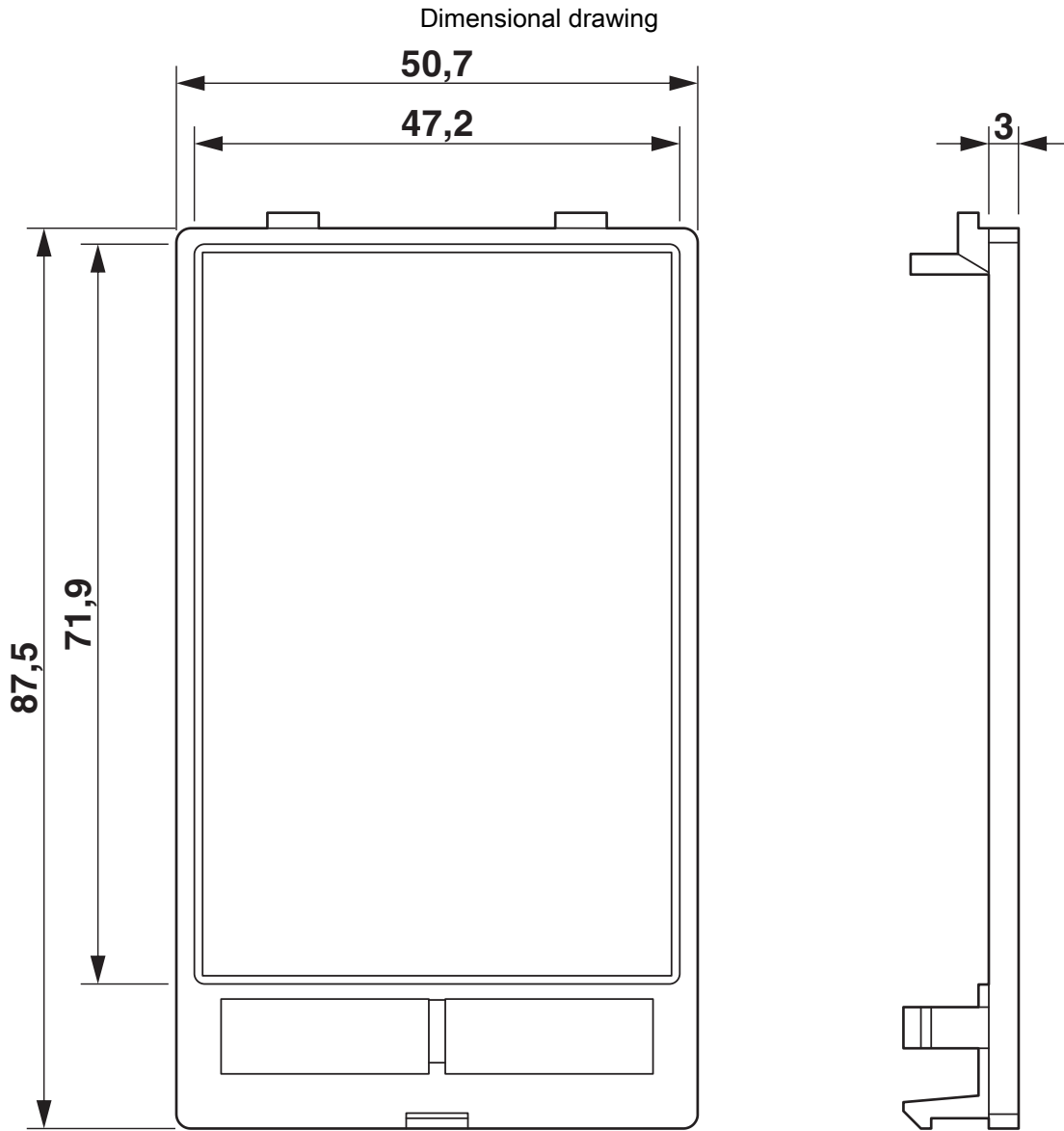
VS-SI-FP-BP - Front plate

1656657

<https://www.phoenixcontact.com/in/products/1656657>



Drawings



Dummy plate

VS-SI-FP-BP - Front plate



1656657

<https://www.phoenixcontact.com/in/products/1656657>

Classifications

ECLASS

ECLASS-11.0	27182806
ECLASS-12.0	27182806
ECLASS-13.0	27182806

ETIM

ETIM 9.0	EC000456
----------	----------

UNSPSC

UNSPSC 21.0	39121300
-------------	----------

VS-SI-FP-BP - Front plate

1656657

<https://www.phoenixcontact.com/in/products/1656657>



Environmental product compliance

EU RoHS

Fulfills EU RoHS substance requirements	Yes, No exemptions
---	--------------------

China RoHS

Environment friendly use period (EFUP)	EFUP-E
	No hazardous substances above the limits

EU REACH SVHC

REACH candidate substance (CAS No.)	No substance above 0.1 wt%
-------------------------------------	----------------------------

VS-SI-FP-BP - Front plate

1656657

<https://www.phoenixcontact.com/in/products/1656657>



Accessories

VS-SI-BZ - Marker labels

1656660

<https://www.phoenixcontact.com/in/products/1656660>

Marker label, plastic, plate with 20 labels



UCT-EM (20X7) - Snap-in markers

0801494

<https://www.phoenixcontact.com/in/products/0801494>

Snap-in markers, Sheet, white, unlabeled, can be labeled with: TOPMARK NEO, TOPMARK LASER, BLUEMARK ID COLOR, BLUEMARK ID, BLUEMARK CLED, THERMOMARK PRIME, THERMOMARK CARD 2.0, THERMOMARK CARD, mounting type: snapped, lettering field size: 20 x 7 mm, Number of individual labels: 24



VS-SI-FP-BP - Front plate

1656657

<https://www.phoenixcontact.com/in/products/1656657>



UC-EM (20X7) - Snap-in markers

0825499

<https://www.phoenixcontact.com/in/products/0825499>



Snap-in markers, Sheet, white, unlabeled, can be labeled with: BLUEMARK ID COLOR, BLUEMARK ID, BLUEMARK CLED, PLOTMARK, CMS-P1-PLOTTER, mounting type: snapped, lettering field size: 20 x 7 mm, Number of individual labels: 20

Phoenix Contact 2024 © - all rights reserved

<https://www.phoenixcontact.com>

PHOENIX CONTACT (I) Pvt. Ltd.

A-58/2, Okhla Industrial Area, Phase - II, New Delhi-110 020

+91.1275.71420

info@phoenixcontact.co.in