

# VS-SI-EB-EMV-1 - Mounting frame

1656482

<https://www.phoenixcontact.com/in/products/1656482>

Please be informed that the data shown in this PDF document is generated from our online catalog. Please find the complete data in the user documentation. Our general terms of use for downloads are valid.

Mounting frame, for one front plate or socket, metal frame, matt nickel-plated, electrically conductive, transparent cover



## Commercial data

Item number	1656482
Packing unit	1 pc
Minimum order quantity	1 pc
Sales key	BF7
Product key	BF7EAX
Catalog page	Page 708 (C-2-2019)
GTIN	4046356029858
Weight per piece (including packing)	205.7 g
Weight per piece (excluding packing)	204.1 g
Customs tariff number	85389099
Country of origin	DE

# VS-SI-EB-EMV-1 - Mounting frame

1656482

<https://www.phoenixcontact.com/in/products/1656482>

## Technical data

### Notes

General	With lockable pressure lock
---------	-----------------------------

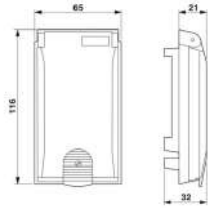
### Product properties

Product type	Mounting frame
Type	for 1 front plate

### Data management status

Article revision	01
------------------	----

### Dimensions

Dimensional drawing	
Width	65 mm
Height	38 mm
Length	120 mm

### Installation dimensions

Width of the assembly cutout	52 mm
Length of the assembly cutout	91 mm

### Material specifications

Material Housing	Zinc alloy (nickel-plated)
Flammability rating according to UL 94	V0

### Environmental and real-life conditions

#### Ambient conditions

Degree of protection	IP65
Ambient temperature (operation)	-10 °C ... 60 °C
Ambient temperature (storage/transport)	-25 °C ... 70 °C

### Mounting

Assembly note	Suitable for panel thicknesses 1 mm ... 5 mm
---------------	--

# VS-SI-EB-EMV-1 - Mounting frame

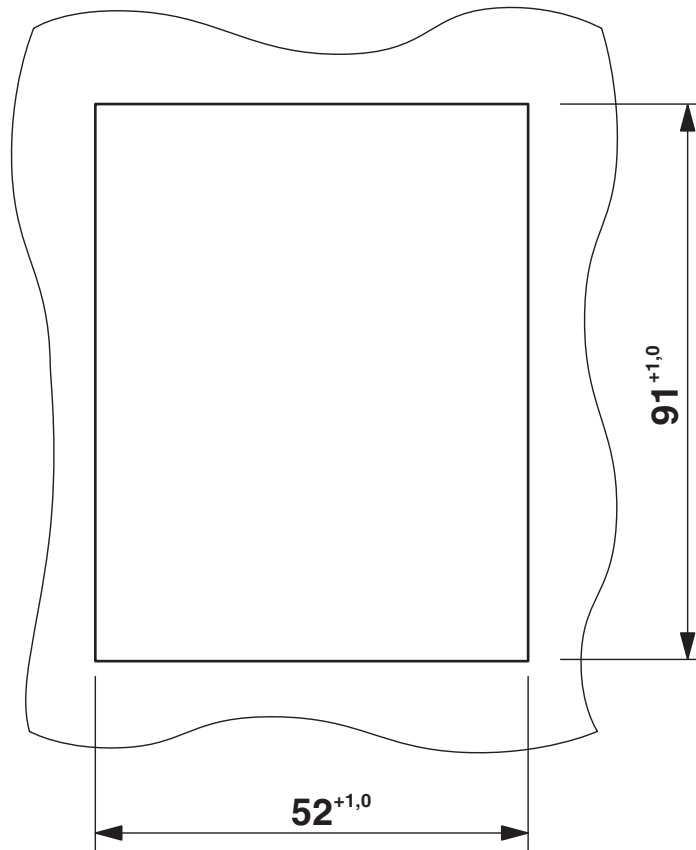
1656482

<https://www.phoenixcontact.com/in/products/1656482>



## Drawings

Dimensional drawing



Mounting cutout

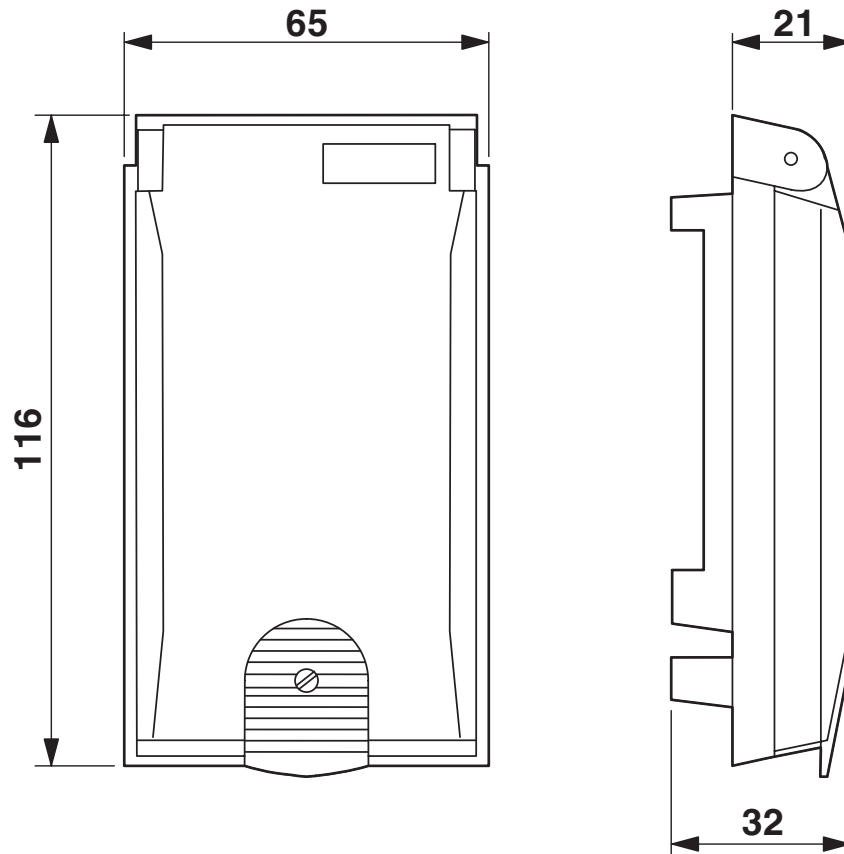
# VS-SI-EB-EMV-1 - Mounting frame

1656482

<https://www.phoenixcontact.com/in/products/1656482>



Dimensional drawing



Dimensional drawing

# VS-SI-EB-EMV-1 - Mounting frame



1656482

<https://www.phoenixcontact.com/in/products/1656482>

## Classifications

### ECLASS

ECLASS-11.0	27182702
ECLASS-13.0	27182806

### ETIM

ETIM 9.0	EC000456
----------	----------

### UNSPSC

UNSPSC 21.0	31261500
-------------	----------

# VS-SI-EB-EMV-1 - Mounting frame



1656482

<https://www.phoenixcontact.com/in/products/1656482>

## Environmental product compliance

### EU RoHS

Fulfills EU RoHS substance requirements	Yes
Exemption	6(c)

### China RoHS

Environment friendly use period (EFUP)	EFUP-50
	An article-related China RoHS declaration table can be found in the download area for the respective article under "Manufacturer declaration". For all articles with EFUP-E, no China RoHS declaration table issued and required.

### EU REACH SVHC

REACH candidate substance (CAS No.)	Lead(CAS: 7439-92-1)
SCIP	ed8e8539-7aa2-4826-b1ac-956dccac54d6

# VS-SI-EB-EMV-1 - Mounting frame

1656482

<https://www.phoenixcontact.com/in/products/1656482>



## Accessories

### VS-SI-BZ - Marker labels

1656660

<https://www.phoenixcontact.com/in/products/1656660>

Marker label, plastic, plate with 20 labels



---

### VS-SI-SD-DE - Socket insert

1656505

<https://www.phoenixcontact.com/in/products/1656505>

Ground contact socket, plastic, for Germany



# VS-SI-EB-EMV-1 - Mounting frame

1656482

<https://www.phoenixcontact.com/in/products/1656482>



## VS-SI-SD-DE-G - Socket insert

1656518

<https://www.phoenixcontact.com/in/products/1656518>



Socket insert, connection method: Screw connection, Germany

---

## VS-SI-SD-USA - Socket insert

1656521

<https://www.phoenixcontact.com/in/products/1656521>



Ground contact socket, plastic, for USA



# VS-SI-EB-EMV-1 - Mounting frame

1656482

<https://www.phoenixcontact.com/in/products/1656482>



## VS-SI-SD-FR - Socket insert

1656534

<https://www.phoenixcontact.com/in/products/1656534>

Ground contact socket, plastic, for France



---

## VS-SI-SD-GB - Socket insert

1656547

<https://www.phoenixcontact.com/in/products/1656547>

Ground contact socket, plastic, for Great Britain



# VS-SI-EB-EMV-1 - Mounting frame

1656482

<https://www.phoenixcontact.com/in/products/1656482>



## VS-SI-SD-IT - Socket insert

1656550

<https://www.phoenixcontact.com/in/products/1656550>

Socket insert, connection method: Screw connection, Italy



---

## VS-SI-FP-2RJ-MOD - Front plate

1656631

<https://www.phoenixcontact.com/in/products/1656631>

Front plate, plastic with shroud, for 2x RJ with modular system (Keystone)



# VS-SI-EB-EMV-1 - Mounting frame

1656482

<https://www.phoenixcontact.com/in/products/1656482>



## VS-SI-FP-BP - Front plate

1656657

<https://www.phoenixcontact.com/in/products/1656657>

Front plate



---

## VS-SI-FP-2F - Front plate

1658532

<https://www.phoenixcontact.com/in/products/1658532>

Front plate, plastic, with two Freenet slots



# VS-SI-EB-EMV-1 - Mounting frame

1656482

<https://www.phoenixcontact.com/in/products/1656482>

## EO-SI-FRAME - Adapter plate

0804522

<https://www.phoenixcontact.com/in/products/0804522>



Adapter plate for installing the control cabinet sockets (type EO-...) in the mounting frames (type VS-SI-EB-EMV.../ SI-M1A.../ SI-M1B...). Includes fastening hardware for the control cabinet socket

---

## UCT-EM (20X7) - Snap-in markers

0801494

<https://www.phoenixcontact.com/in/products/0801494>



Snap-in markers, Sheet, white, unlabeled, can be labeled with: TOPMARK NEO, TOPMARK LASER, BLUEMARK ID COLOR, BLUEMARK ID, BLUEMARK CLED, THERMOMARK PRIME, THERMOMARK CARD 2.0, THERMOMARK CARD, mounting type: snapped, lettering field size: 20 x 7 mm, Number of individual labels: 24

# VS-SI-EB-EMV-1 - Mounting frame

1656482

<https://www.phoenixcontact.com/in/products/1656482>



## UC-EM (20X7) - Snap-in markers

0825499

<https://www.phoenixcontact.com/in/products/0825499>



Snap-in markers, Sheet, white, unlabeled, can be labeled with: BLUEMARK ID COLOR, BLUEMARK ID, BLUEMARK CLED, PLOTMARK, CMS-P1-PLOTTER, mounting type: snapped, lettering field size: 20 x 7 mm, Number of individual labels: 20

---

## VS-FP-SD-D-RJ456A-BUBU - Front plate

1054542

<https://www.phoenixcontact.com/in/products/1054542>



Grounding contact socket, plastic, for Germany, including RJ45 gender changer (female/female, shielded), CAT6A

# VS-SI-EB-EMV-1 - Mounting frame

1656482

<https://www.phoenixcontact.com/in/products/1656482>



## VS-SI-FP-2RJ45-5-MOD-BU/BU - Front plate

1657766

<https://www.phoenixcontact.com/in/products/1657766>

Front plate with contact inserts, plastic with shroud, 2x RJ socket/socket



---

## SI-FP-R1A-U1A - Front plate

1404499

<https://www.phoenixcontact.com/in/products/1404499>

Front plate with contact inserts, plastic with shroud, 1 x USB (socket/socket) type A; 1 x RJ45, 8-pos. metal, CAT5e (socket/socket)



# VS-SI-EB-EMV-1 - Mounting frame

1656482

<https://www.phoenixcontact.com/in/products/1656482>



## SI-FP-2R1A-U1A - Front plate

1404506

<https://www.phoenixcontact.com/in/products/1404506>



Front plate with contact inserts, plastic with shroud, 2 x RJ45, 8-pos. metal, CAT5e (socket/socket); 1 x USB (socket/socket) type A

---

## SI-FP-R1A-D1E - Front plate

1404500

<https://www.phoenixcontact.com/in/products/1404500>



Front plate with contact inserts, plastic, 1 x RJ45, 8-pos. metal, CAT5e (socket/socket), 1 x D-SUB 9 blind cover

# VS-SI-EB-EMV-1 - Mounting frame

1656482

<https://www.phoenixcontact.com/in/products/1656482>



## SI-FP-R1A-U1A/0,7 - Front plate

1404512

<https://www.phoenixcontact.com/in/products/1404512>

Front plate with contact inserts, plastic with shroud, 1 x USB (socket/socket/0.7 m cable) type A; 1 x RJ45, 8-pos. metal, CAT5e (socket/socket)



---

## VS-FP-SD-FR-RJ456A-BUBU - Front plate

1054543

<https://www.phoenixcontact.com/in/products/1054543>

Grounding contact socket, plastic, for France, including RJ45 gender changer (female/female, shielded), CAT6A





# VS-SI-EB-EMV-1 - Mounting frame

1656482

<https://www.phoenixcontact.com/in/products/1656482>



## SI-FP-R1A-U1A-D1A - Front plate

1404497

<https://www.phoenixcontact.com/in/products/1404497>



Front plate with contact inserts, plastic with shroud, 1 x RJ45, 8-pos. metal, CAT5e (socket/socket); 1 x USB (socket/socket) type A; 1 x 9-pos. D-SUB (socket/socket)

---

## VS-SI-FP-2DSUB9-GC-BU/ST - Front plate

1657708

<https://www.phoenixcontact.com/in/products/1657708>



Front plate with contact inserts, plastic, 2x D-SUB 9, socket/pin

# VS-SI-EB-EMV-1 - Mounting frame

1656482

<https://www.phoenixcontact.com/in/products/1656482>

## SI-FP-R1A-D1B-U1A/0,7 - Front plate

1404504

<https://www.phoenixcontact.com/in/products/1404504>



Front plate with contact inserts, plastic with shroud, 1 x USB (socket/socket/0.7 m cable) type A; 1 x 9-pos. D-SUB (socket/pin); 1 x RJ45, 8-pos. metal, CAT5e (socket/socket)

---

## SI-FP-R1A-D1A - Front plate

1404496

<https://www.phoenixcontact.com/in/products/1404496>



Front plate with contact inserts, plastic with shroud, 1 x RJ45, 8-pos. metal, CAT5e (socket/socket); 1 x 9-pos. D-SUB (socket/socket)

# VS-SI-EB-EMV-1 - Mounting frame

1656482

<https://www.phoenixcontact.com/in/products/1656482>



## VS-FP-SD-GB-RJ456A-BUBU - Front plate

1054544

<https://www.phoenixcontact.com/in/products/1054544>



Grounding contact socket, plastic, for England, including RJ45 gender changer (female/female, shielded), CAT6A

---

## SI-FP-D1A - Front plate

1404501

<https://www.phoenixcontact.com/in/products/1404501>



Front plate with contact inserts, plastic, 1x D-SUB 9 (socket/socket)

# VS-SI-EB-EMV-1 - Mounting frame

1656482

<https://www.phoenixcontact.com/in/products/1656482>



## VS-SI-SD-CN - Socket insert

1422485

<https://www.phoenixcontact.com/in/products/1422485>

Socket insert, connection method: Screw connection, China



---

Phoenix Contact 2024 © - all rights reserved

<https://www.phoenixcontact.com>

PHOENIX CONTACT (I) Pvt. Ltd.

A-58/2, Okhla Industrial Area, Phase - II, New Delhi-110 020

+91.1275.71420

[info@phoenixcontact.co.in](mailto:info@phoenixcontact.co.in)