

Q 0,34/4IDC/16-16KU-KU BK - Conductor connectors



1641879

<https://www.phoenixcontact.com/in/products/1641879>

Please be informed that the data shown in this PDF document is generated from our Online Catalog. Please find the complete data in the user documentation. Our General Terms of Use for Downloads are valid.



Conductor connectors, QUICKON connection, 0.14 mm² ... 0.34 mm², 125 V, 5 A, black, external cable diameter: 3.5 mm ... 6 mm, QUICKON fast connection

Your advantages

- Innovative and time saving - QUICKON fast connection for time saving of up to 80 % for on-site connection
- Safer connection with mechanical coding to protect against mismatching, and touch-proof protection in accordance with DIN EN 0105
- Easy and safe - with the cable connector, you can repair or extend cables quickly, in combination with the connector as well as the coupling connection

Commercial Data

Item number	1641879
Packing unit	1 pc
Minimum order quantity	1 pc
Sales Key	BF6
Product Key	BF6HCA
Catalog Page	Page 474 (C-2-2019)
GTIN	4017918925185
Weight per Piece (including packing)	14.4 g
Weight per Piece (excluding packing)	14.4 g
Customs tariff number	85366990
Country of origin	DE

1641879

<https://www.phoenixcontact.com/in/products/1641879>

Technical Data

Mounting

Connection method	QUICKON fast connection
-------------------	-------------------------

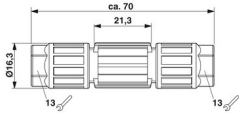
Product properties

Product type	Cable connector
Number of positions	4
Position marking	1, 2, 3, 4
Number of connections per position	1
Locking type	without
Coding	no

Insulation characteristics

Overvoltage category	III
Degree of pollution	3

Dimensions

Dimensional drawing	
Width	16.3 mm
Height	16.3 mm
Length	70 mm
Diameter	16.3 mm

External dimensions

Outside diameter	3.5 mm ... 6 mm
------------------	-----------------

Connection data

Connection technology

Connection method	QUICKON fast connection
Connection system, internal	IDC connection
Connection technology	QUICKON connection
Frequency of connections between conductors of the same cross section	10

Conductor connection

Conductor cross section rigid	0.14 mm ² ... 0.25 mm ²
Conductor cross section flexible	0.14 mm ² ... 0.34 mm ²
Conductor cross section AWG	26 ... 22
Tightening torque, union nut	0.8 Nm

1641879

<https://www.phoenixcontact.com/in/products/1641879>

Electrical properties

Rated surge voltage (II/2)	2.5 kV
Rated surge voltage (III/2)	2.5 kV
Rated surge voltage (III/3)	2.5 kV
Rated current	5 A
Contact resistance	≤ 5 mΩ
rated voltage (II/2)	320 V
rated voltage (III/2)	200 V
Rated voltage (III/3)	125 V
Insulation resistance	≥ 100 MΩ
Nominal voltage U_N	125 V AC
	125 V DC
Nominal current I_N	5 A

Material specifications

Color	black
Material Housing	PA
Flammability rating according to UL 94	V0
Contact material	Steel
Contact surface material	tin-plated
Contact carrier material	PA

Cable/line

Structure of individual litz in acc. with VDE 0295 / smallest wire diameter	VDE 0295 class 1 to 6/min. 0.15 mm
External cable diameter	3.5 mm ... 6 mm
Wire diameter including insulation	0.7 mm ... 1.6 mm
Position marking	1, 2, 3, 4
Material wire insulation	PVC / PE

Environmental and real-life conditions

Ambient conditions

Degree of protection	IP65
	IP67
Ambient temperature (operation)	-40 °C ... 80 °C
Temperature when conductor connected	-5 °C ... 50 °C
Ambient temperature (storage/transport)	-40 °C ... 80 °C

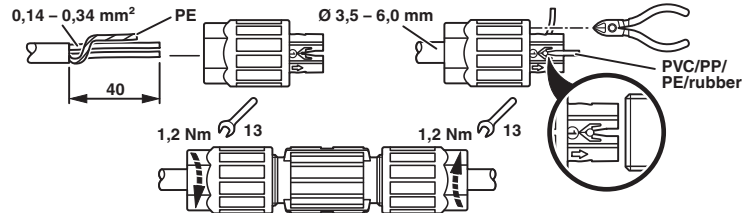
Q 0,34/4IDC/16-16KU-KU BK - Conductor connectors

1641879

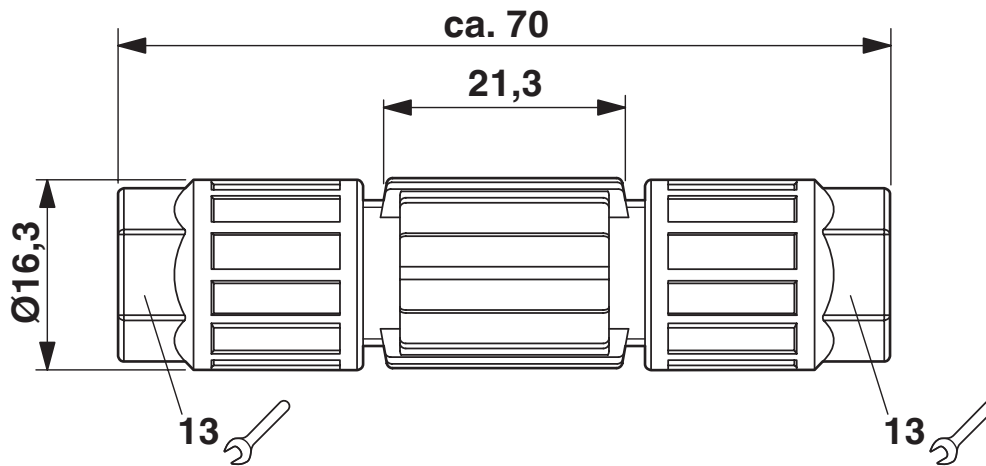
<https://www.phoenixcontact.com/in/products/1641879>

Drawings

Functional drawing



Dimensional drawing



1641879

<https://www.phoenixcontact.com/in/products/1641879>

Approvals



EAC

Approval ID: RU C-DE.AI30.B.01102



EAC

Approval ID: EAC-Zulassung



EAC

Approval ID: RU C-DE.A*30.B.01102



EAC

Approval ID: RU C-DE.BL08.B.00511

Q 0,34/4IDC/16-16KU-KU BK - Conductor connectors



1641879

<https://www.phoenixcontact.com/in/products/1641879>

Classifications

ECLASS

ECLASS-11.0	27440605
ECLASS-13.0	27440605
ECLASS-12.0	27440605

ETIM

ETIM 8.0	EC002560
----------	----------

UNSPSC

UNSPSC 21.0	39121400
-------------	----------

Q 0,34/4IDC/16-16KU-KU BK - Conductor connectors



1641879

<https://www.phoenixcontact.com/in/products/1641879>

Environmental Product Compliance

China RoHS	Environmentally friendly use period: unlimited = EFUP-e
	No hazardous substances above threshold values

1641879

<https://www.phoenixcontact.com/in/products/1641879>

Accessories

MICROFOX-SB - Diagonal cutter

1212489

<https://www.phoenixcontact.com/in/products/1212489>



Electronic diagonal cutter, round head, without chamfer, with opening spring, mirror-polished and oiled, 2-component grip, cutting capacity: soft 0.2 - 2.0 mm; medium hard 1.2 mm; hard 0.5 mm diameter

WIREFOX SAC - Stripping tool

1212623

<https://www.phoenixcontact.com/in/products/1212623>



Stripping pliers, for halogen-free sensor/actuator cables (SAC cables), with PUR and PVC insulation, from Ø of 4.4 to 7 mm, any stripping length

1641879

<https://www.phoenixcontact.com/in/products/1641879>

WIREFOX SAC-1 - Stripping tool

1212757

<https://www.phoenixcontact.com/in/products/1212757>



Stripping pliers, for halogen-free sensor/actuator cables (SAC cables), with PUR and PVC insulation, from Ø of 3.2 to 4.4 mm, any stripping length

WIREFOX-D 16 - Stripping tool

1212173

<https://www.phoenixcontact.com/in/products/1212173>



Stripping tool, for stripping lines (specially for fiber optics lines) of Ø 4 - 16 mm

Q 0,34/4IDC/16-16KU-KU BK - Conductor connectors



1641879

<https://www.phoenixcontact.com/in/products/1641879>

WIREFOX-D 40 - Stripping tool

1212161

<https://www.phoenixcontact.com/in/products/1212161>



Stripping tool, for stripping cables of 4.5 mm - 40 mm-Ø, insulation thickness of up to 4.5 mm, pivoting blade for round, lengthwise, and spiral cuts

SAC BIT QUICKON-W13 - Tool

1212033

<https://www.phoenixcontact.com/in/products/1212033>



Nut for assembling pressure nuts with 13 mm wrench size, for 4 mm hexagonal drive

Q 0,34/4IDC/16-16KU-KU BK - Conductor connectors



1641879

<https://www.phoenixcontact.com/in/products/1641879>

TSD-M 1,2NM - Torque screwdriver

1212224

<https://www.phoenixcontact.com/in/products/1212224>



Torque screw driver, accuracy as per EN ISO 6789 standard, adjustable from 0.3 - 1.2 Nm

TSD-M SAC-BIT ADAPTER - Adapter insert

1212600

<https://www.phoenixcontact.com/in/products/1212600>



Adapter bit for TSD-M...torque tools, E6.3-1/4" drive with 4 mm hexagon to accommodate SAC bits

Q 0,34/4IDC/16-16KU-KU BK - Conductor connectors



1641879

<https://www.phoenixcontact.com/in/products/1641879>

SEALING PLUG 6X16 RD - Closing cap

1400254

<https://www.phoenixcontact.com/in/products/1400254>

Closing cap, color: red



Phoenix Contact 2023 © - all rights reserved

<https://www.phoenixcontact.com>

PHOENIX CONTACT (I) Pvt. Ltd.

A-58/2, Okhla Industrial Area, Phase - II, New Delhi-110 020

+91.1275.71420

info@phoenixcontact.co.in