

HC-A3-STQ1,5-KML-G-PA - Connector



1641604

<https://www.phoenixcontact.com/in/products/1641604>

Please be informed that the data shown in this PDF document is generated from our online catalog. Please find the complete data in the user documentation. Our general terms of use for downloads are valid.



HEAVYCON QUICKON coupling housing A3, for single locking latch, 3-pos., with PE connection, plug, QUICKON connection, straight cable outlet

Commercial data

Item number	1641604
Packing unit	1 pc
Minimum order quantity	1 pc
Sales key	BF7
Product key	BF7AJX
Catalog page	Page 505 (C-2-2019)
GTIN	4017918890001
Weight per piece (including packing)	35.4 g
Weight per piece (excluding packing)	35.2 g
Customs tariff number	85366990
Country of origin	PL

HC-A3-STQ1,5-KML-G-PA - Connector



1641604

<https://www.phoenixcontact.com/in/products/1641604>

Technical data

Mounting

Assembly note	This product is only intended for use outdoors. If the conductor is reconnected, it must be cut off above the last contact point. QUICKON components may only be operated when under no load.
---------------	--

Product properties

Product type	Contact insert with a fixed no. of positions
Housing type	Complete housing
Series	HC-A
Application	Standard
Type	D7
Number of positions	3
Connection profile	3+PE
Contact numbering	1 - 3
No. of cable outlets	1
Type	Male
Shielded	no
Cable outlet	straight

Data management status

Article revision	07
------------------	----

Insulation characteristics

Overvoltage category	III
Degree of pollution	3

Dimensions

Dimensional drawing	
Width	34 mm
Height	62.8 mm
Length	26.5 mm

Connection data

Connection technology

HC-A3-STQ1,5-KML-G-PA - Connector



1641604

<https://www.phoenixcontact.com/in/products/1641604>

Connection technology	IDC connection
-----------------------	----------------

Conductor connection

Conductor cross section	0.75 mm ² ... 1.5 mm ²
Connection cross section AWG	18 ... 16
Tightening torque	3 Nm

Electrical properties

Rated surge voltage (II/2)	4 kV
Rated surge voltage (III/2)	4 kV
Rated surge voltage (III/3)	4 kV
Rated current	10 A
rated voltage (II/2)	630 V
rated voltage (III/2)	320 V
Rated voltage (III/3)	230 V (Conductor-PE) 400 V (Conductor-Conductor)

Mechanical properties

Mechanical data

Insertion/withdrawal cycles	>= 500
-----------------------------	--------

Material specifications

Material Housing	PA
Flammability rating according to UL 94	V0
Material wire insulation	PVC / PE
Contact material	Copper alloy
Contact surface material	Ag
Contact carrier material	PA

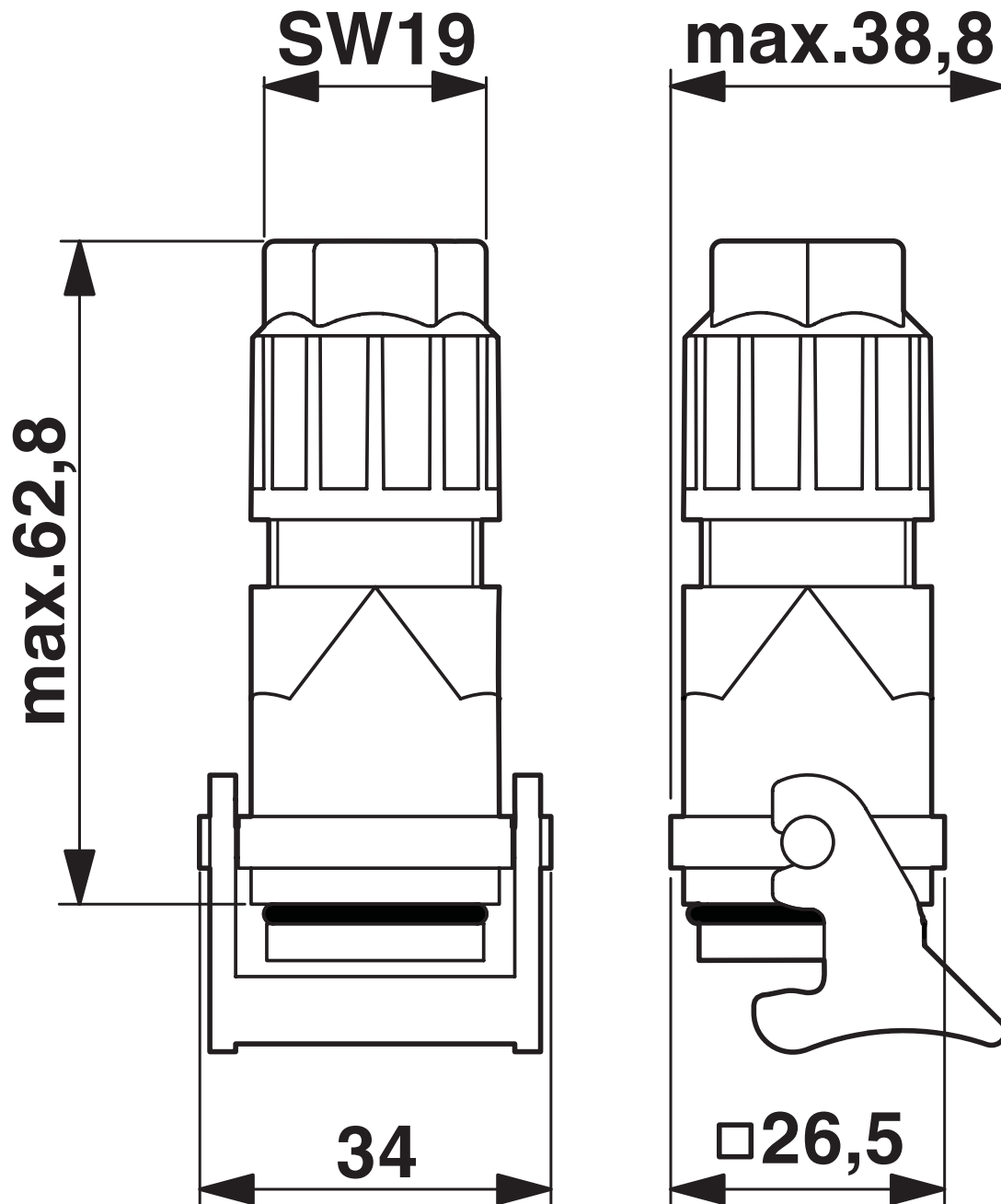
Environmental and real-life conditions

Ambient conditions

Degree of protection	IP65
Ambient temperature (operation)	-25 °C ... 80 °C
Temperature when conductor connected	-5 °C ... 50 °C (specifications of the cable manufacturer must also be observed)
Ambient temperature (storage/transport)	-40 °C ... 70 °C

Drawings

Dimensional drawing



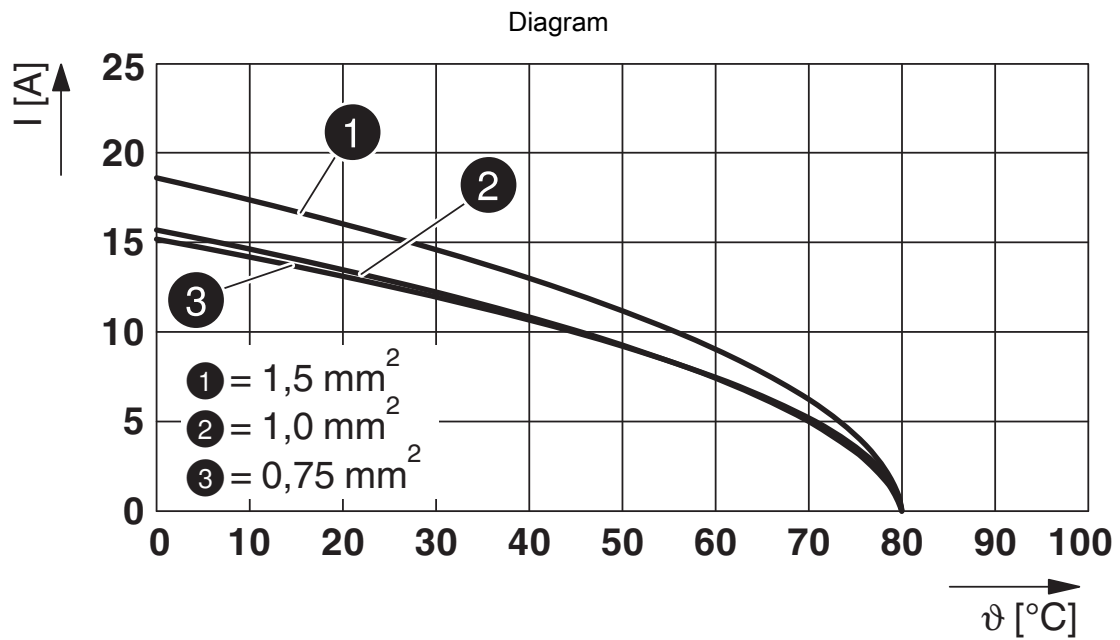
Dimensional drawing

HC-A3-STQ1,5-KML-G-PA - Connector



1641604

<https://www.phoenixcontact.com/in/products/1641604>



Derating diagram

HC-A3-STQ1,5-KML-G-PA - Connector



1641604

<https://www.phoenixcontact.com/in/products/1641604>

Approvals

To download certificates, visit the product detail page: <https://www.phoenixcontact.com/in/products/1641604>

DNV

Approval ID: TAE000037S



cUL Recognized

Approval ID: E118976

	Nominal voltage U_N	Nominal current I_N	Cross section AWG	Cross section mm^2
	600 V	10 A	18 - 16	-



UL Recognized

Approval ID: E118976

	Nominal voltage U_N	Nominal current I_N	Cross section AWG	Cross section mm^2
	600 V	10 A	18 - 16	-



EAC

Approval ID: RU C-DE.AI30.B.01102

cULus Recognized

HC-A3-STQ1,5-KML-G-PA - Connector



1641604

<https://www.phoenixcontact.com/in/products/1641604>

Classifications

ECLASS

ECLASS-11.0	27440101
ECLASS-12.0	27440113
ECLASS-13.0	27440113

ETIM

ETIM 9.0	EC002636
----------	----------

UNSPSC

UNSPSC 21.0	39121400
-------------	----------

HC-A3-STQ1,5-KML-G-PA - Connector



1641604

<https://www.phoenixcontact.com/in/products/1641604>

Environmental product compliance

EU RoHS

Fulfills EU RoHS substance requirements	Yes, No exemptions
---	--------------------

China RoHS

Environment friendly use period (EFUP)	EFUP-E
	No hazardous substances above the limits

EU REACH SVHC

REACH candidate substance (CAS No.)	No substance above 0.1 wt%
-------------------------------------	----------------------------

HC-A3-STQ1,5-KML-G-PA - Connector



1641604

<https://www.phoenixcontact.com/in/products/1641604>

Accessories

Q 1,5/4IDC/24-24KU-KU BK PE - Conductor connector

1642182

<https://www.phoenixcontact.com/in/products/1642182>

QUICKON cable connector, black, 3+PE-pos., 0.75 mm² ... 1.5 mm² /500 V/15 A, for a cable diameter of 6 mm ... 12 mm.



HC-A3-BUQ1,5-TFL-G-PA - Connector

1641510

<https://www.phoenixcontact.com/in/products/1641510>

HEAVYCON QUICKON sleeve housing A3, for single locking latch, 3-pos., with PE connection, socket, QUICKON connection, straight cable outlet



HC-A3-STQ1,5-KML-G-PA - Connector



1641604

<https://www.phoenixcontact.com/in/products/1641604>

MICROFOX-SB - Diagonal cutter

1212489

<https://www.phoenixcontact.com/in/products/1212489>



Electronic diagonal cutter, round head, without chamfer, with opening spring, mirror-polished and oiled, 2-component grip, cutting capacity: soft 0.2 - 2.0 mm; medium hard 1.2 mm; hard 0.5 mm diameter

QSS 19 - Socket wrench

1670895

<https://www.phoenixcontact.com/in/products/1670895>



Socket wrench, for tightening and unscrewing the QUICKON union nut, wrench size 19 mm

Phoenix Contact 2024 © - all rights reserved
<https://www.phoenixcontact.com>

PHOENIX CONTACT (I) Pvt. Ltd.
A-58/2, Okhla Industrial Area, Phase - II, New Delhi-110 020

+91.1275.71420
info@phoenixcontact.co.in