

HC-A04-I-PT-M - Contact insert



1585278

<https://www.phoenixcontact.com/in/products/1585278>

Please be informed that the data shown in this PDF document is generated from our online catalog. Please find the complete data in the user documentation. Our general terms of use for downloads are valid.



Contact insert, number of positions: 4+PE, size: D7, number of connections per position: 1, Pin, Push-in connection, 230 V/400 V, 10 A, 0.14 mm² ... 1.5 mm²

Your advantages

- Easy installation without tools, even when mounted, with push-in connection technology
- Shortest installation time compared to other connection technologies
- Quick and effortless wiring, in particular when space is tight
- Automatic cabling with robots possible
- Safe wiring and operation with color-coded actuators
- Shock and vibration-resistant in accordance with DIN EN 61373
- Cost-effective and fast coding with plastic profiles

Commercial data

Item number	1585278
Packing unit	1 pc
Minimum order quantity	1 pc
Sales key	BF7
Product key	BF7ABJ
Catalog page	Page 505 (C-2-2019)
GTIN	4046356285001
Weight per piece (including packing)	14 g
Weight per piece (excluding packing)	14 g
Customs tariff number	85366990
Country of origin	CN

HC-A04-I-PT-M - Contact insert

1585278

<https://www.phoenixcontact.com/in/products/1585278>

Technical data

Notes

General	only use flexible conductors with ferrules
General	Connectors may be operated only when there is no load/voltage.
General	for housing HC-D7

Mounting

Assembly note	To ensure correct use, installation in housing with IP54 protection or better is required
---------------	---

Product properties

Product type	Contact insert with a fixed no. of positions
Series	HC-A
Type	D7
Number of positions	4
Connection profile	4+PE
Contact numbering	1 - 4
Number of connections per position	1
Contact material type	rolled

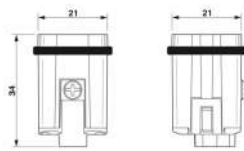
Data management status

Article revision	04
------------------	----

Insulation characteristics

Overvoltage category	III
Degree of pollution	3

Dimensions

Dimensional drawing	
Width	21 mm
Height	34 mm
Length	21 mm

Mechanical characteristics

Contact diameter	1.6 mm
------------------	--------

Connection data

Connection technology

Connection technology	Push-in connection
Number of connections per position	1

HC-A04-I-PT-M - Contact insert



1585278

<https://www.phoenixcontact.com/in/products/1585278>

Connection in acc. with standard	IEC / EN
----------------------------------	----------

Conductor connection

Conductor cross section	0.14 mm ² ... 1.5 mm ²
Connection cross section AWG	26 ... 16
Tightening torque	0.5 Nm ... 0.8 Nm (Mounting screws for mounting in the HEAVYCON housing)
Stripping length of the individual wire	10 mm

Electrical properties

Rated voltage (III/3)	230 V (Conductor-PE)
	400 V (Conductor-Conductor)
Rated voltage for power contacts	230/400 V
Rated surge voltage	4 kV
Rated current	10 A

Mechanical properties

Mechanical data

Insertion/withdrawal cycles	≥ 500
-----------------------------	-------

Material specifications

Flammability rating according to UL 94	V0
Seal material	NBR, conductive
Contact surface material	Ag
Contact carrier material	PC
Standards/regulations	PC: Fire protection in rail vehicles - requirement sets R22, R23, and R24 acc. to DIN EN 45545-2 (Risk level HL1 - HL3)

Environmental and real-life conditions

Ambient conditions

Ambient temperature (operation)	-40 °C ... 125 °C
---------------------------------	-------------------

Standards and regulations

Testing

Standards/regulations	PC: Fire protection in rail vehicles - requirement sets R22, R23, and R24 acc. to DIN EN 45545-2 (Risk level HL1 - HL3)
-----------------------	---

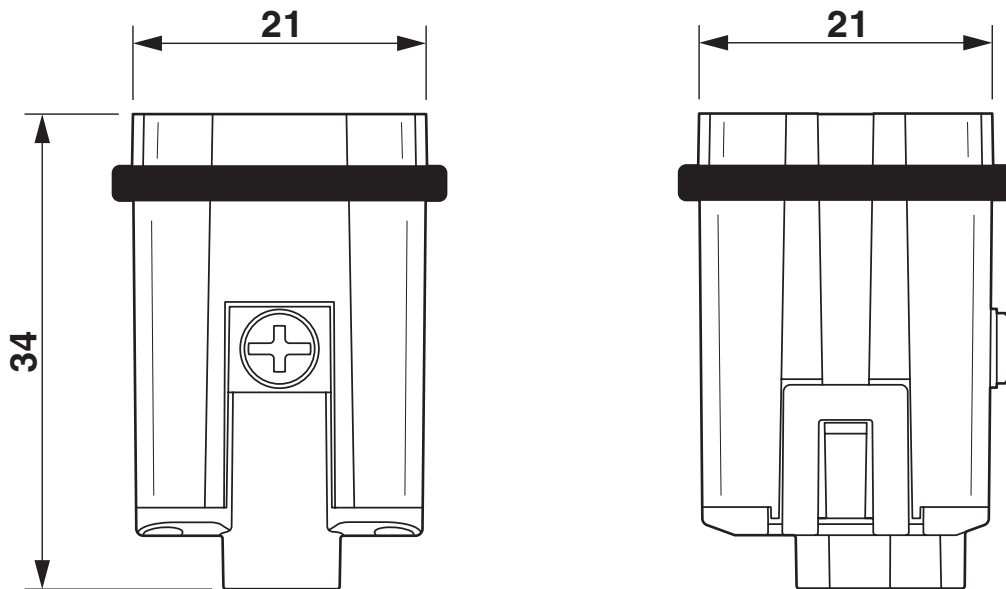
HC-A04-I-PT-M - Contact insert

1585278

<https://www.phoenixcontact.com/in/products/1585278>

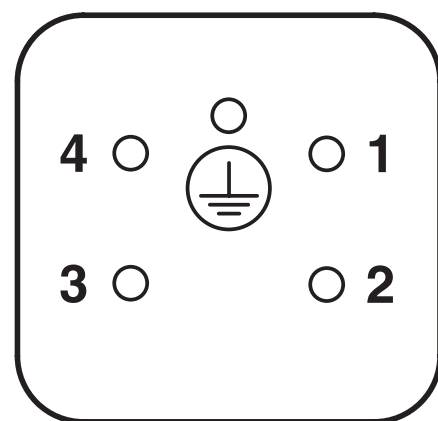
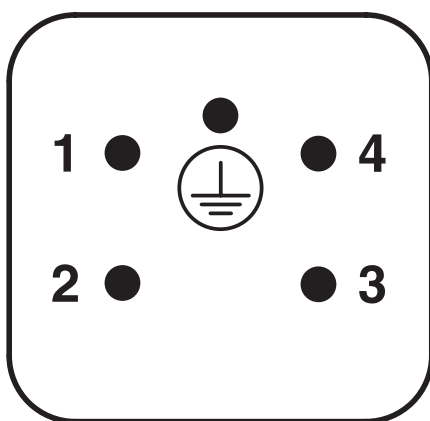
Drawings

Dimensional drawing



Male insert

Schematic diagram



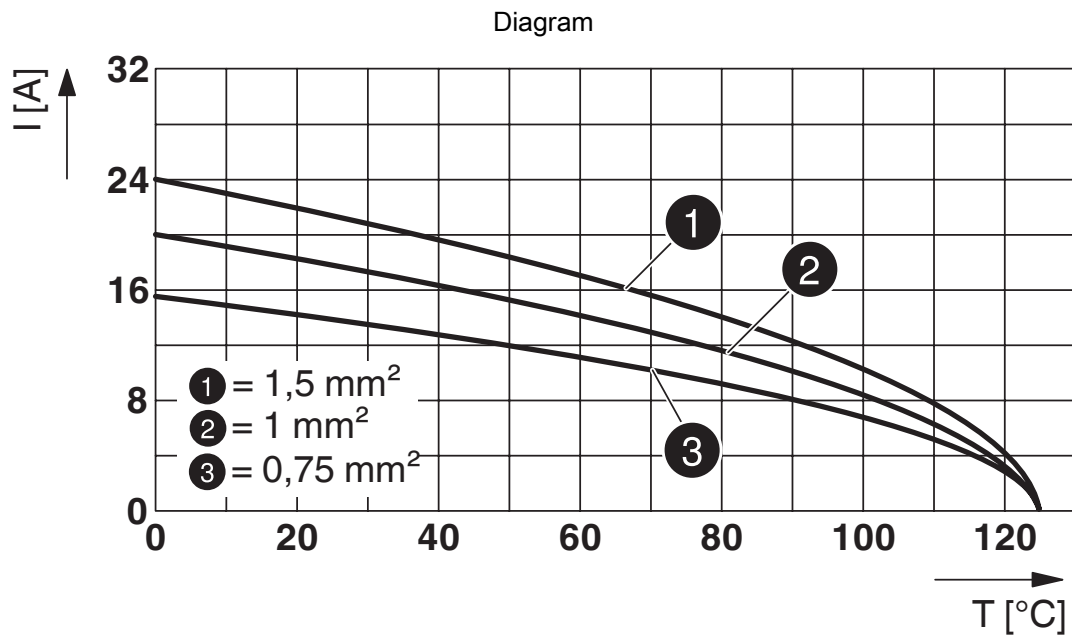
Connector pin assignment connection side: Left pin; right socket

HC-A04-I-PT-M - Contact insert



1585278

<https://www.phoenixcontact.com/in/products/1585278>



Derating diagram

HC-A04-I-PT-M - Contact insert



1585278

<https://www.phoenixcontact.com/in/products/1585278>

Approvals

To download certificates, visit the product detail page: <https://www.phoenixcontact.com/in/products/1585278>

DNV

Approval ID: TAE000037S



CSA

Approval ID: 13631

Nominal voltage U_N	Nominal current I_N	Cross section AWG	Cross section mm^2
600 V	14 A	- 16	-



UL Recognized

Approval ID: E118976

Nominal voltage U_N	Nominal current I_N	Cross section AWG	Cross section mm^2
600 V	16 A	- 16	-



EAC

Approval ID: EAC-Zulassung



EAC

Approval ID: RU C-DE.BL08.B.00511



UL Recognized

Approval ID: E468743

Nominal voltage U_N	Nominal current I_N	Cross section AWG	Cross section mm^2
600 V	16 A	-	-

HC-A04-I-PT-M - Contact insert



1585278

<https://www.phoenixcontact.com/in/products/1585278>

Classifications

ECLASS

ECLASS-11.0	27440205
ECLASS-12.0	27440205
ECLASS-13.0	27440205

ETIM

ETIM 9.0	EC000438
----------	----------

UNSPSC

UNSPSC 21.0	39121500
-------------	----------

HC-A04-I-PT-M - Contact insert



1585278

<https://www.phoenixcontact.com/in/products/1585278>

Environmental product compliance

EU RoHS

Fulfills EU RoHS substance requirements	Yes, No exemptions
---	--------------------

China RoHS

Environment friendly use period (EFUP)	EFUP-E
	No hazardous substances above the limits

EU REACH SVHC

REACH candidate substance (CAS No.)	No substance above 0.1 wt%
-------------------------------------	----------------------------

HC-A04-I-PT-M - Contact insert

1585278

<https://www.phoenixcontact.com/in/products/1585278>



Accessories

HC-CP-D07-PL - Coding element

1095413

<https://www.phoenixcontact.com/in/products/1095413>

Coding element for HC-D07 contact inserts of the HC-A03... / HC-A04... / HC-Q03... / HC-Q04... / HC-Q07... series



HC-D07-SP-RBK - Profile gasket

1419622

<https://www.phoenixcontact.com/in/products/1419622>

Profile gasket, design: D7, for pin inserts



HC-A04-I-PT-M - Contact insert

1585278

<https://www.phoenixcontact.com/in/products/1585278>



HC-D 7-DS-IP65 - Sealing screw

1686229

<https://www.phoenixcontact.com/in/products/1686229>



Sealing screw, size: Countersunk head, IP67, replacement part for D7 size HEAVYCON housing

HC-A04-I-PT-F - Contact insert

1585281

<https://www.phoenixcontact.com/in/products/1585281>



Contact insert, number of positions: 4+PE, size: D7, number of connections per position: 1, Socket, Push-in connection, 230 V, 10 A, 0.14 mm² ... 1.5 mm²

HC-A04-I-PT-M - Contact insert

1585278

<https://www.phoenixcontact.com/in/products/1585278>



CF CRIMPHANDY 0,5 - Electrical crimping tool

1212463

<https://www.phoenixcontact.com/in/products/1212463>



Mobile handheld device, battery-powered, for processing on-tape ferrules 0.5 mm² with functional end, suitable for PVC insulated conductors (H05V-K), incl. battery, charger, CUTFOX 12 cable cutter, waste guide plate 2, service tool for error correction, and one strip of ferrules 0.5 mm², packed in a robust case.

CF CRIMPHANDY 0,75 - Electrical crimping tool

1212464

<https://www.phoenixcontact.com/in/products/1212464>



Mobile handheld device, battery-powered, for processing on-tape ferrules 0.75 mm² with functional end, suitable for PVC insulated conductors (H05V-K), incl. battery, charger, CUTFOX 12 cable cutter, waste guide plate 2, service tool for error correction, and one strip of ferrules 0.75 mm², packed in a robust case.

HC-A04-I-PT-M - Contact insert

1585278

<https://www.phoenixcontact.com/in/products/1585278>



CF CRIMPHANDY 1,0 - Electrical crimping tool

1212465

<https://www.phoenixcontact.com/in/products/1212465>



Mobile handheld device, battery-powered, for processing on-tape ferrules 1.0 mm² with functional end, suitable for PVC insulated conductors (H05V-K), incl. battery, charger, CUTFOX 12 cable cutter, waste guide plate 2, service tool for error correction, and one strip of ferrules 1.0 mm², packed in a robust case.

CF CRIMPHANDY 1,5 - Electrical crimping tool

1212466

<https://www.phoenixcontact.com/in/products/1212466>



Mobile handheld device, battery-powered, for processing on-tape ferrules 1.5 mm² with functional end, suitable for PVC insulated conductors (H07V-K), incl. battery, charger, CUTFOX 12 cable cutter, waste guide plate 2, service tool for error correction, and one strip of ferrules 1.5 mm², packed in a robust case.

HC-A04-I-PT-M - Contact insert

1585278

<https://www.phoenixcontact.com/in/products/1585278>



CRIMPFOX 6 - Crimping pliers

1212034

<https://www.phoenixcontact.com/in/products/1212034>



Crimping pliers, for ferrules without insulating collar according to DIN 46228 Part 1 and ferrules with insulating collar according to DIN 46228 Part 4, 0.25 mm² ... 6.0 mm², lateral entry, trapezoidal crimp

CRIMPFOX CENTRUS 10S - Crimping pliers

1213154

<https://www.phoenixcontact.com/in/products/1213154>



Crimping pliers, for uninsulated and insulated ferrules, DIN 46228 Part 1 and 4, from 0.14 mm² ... 10 mm², also for TWIN ferrules up to 2 x 4 mm², automatic cross section adjustment, lateral insertion, equipped with fall protection

HC-A04-I-PT-M - Contact insert

1585278

<https://www.phoenixcontact.com/in/products/1585278>



CRIMPFOX CENTRUS 6S - Crimping pliers

1213144

<https://www.phoenixcontact.com/in/products/1213144>



Crimping pliers, for uninsulated and insulated ferrules, DIN 46228 Part 1 and 4, from 0.14 mm² ... 6 mm², also for TWIN ferrules up to 2 x 4 mm², automatic cross section adjustment, lateral insertion, equipped with fall protection

Phoenix Contact 2024 © - all rights reserved

<https://www.phoenixcontact.com>

PHOENIX CONTACT (I) Pvt. Ltd.

A-58/2, Okhla Industrial Area, Phase - II, New Delhi-110 020

+91.1275.71420

info@phoenixcontact.co.in