

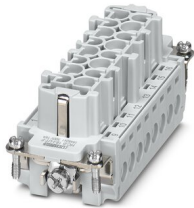
HC-B 16-I-UT-F-32 - Contact insert



1584884

<https://www.phoenixcontact.com/in/products/1584884>

Please be informed that the data shown in this PDF document is generated from our Online Catalog. Please find the complete data in the user documentation. Our General Terms of Use for Downloads are valid.



Contact insert, number of positions: 16+PE, size: B16, Socket, Screw connection, 500 V, 16 A, 0.5 mm² ... 2.5 mm²

Your advantages

- For fast coding with plastic profile
- For test pin 2 mm

Commercial Data

| | |
|--------------------------------------|---------------------|
| Item number | 1584884 |
| Packing unit | 1 pc |
| Minimum order quantity | 1 pc |
| Sales Key | BF7 |
| Product Key | BF7ABC |
| Catalog Page | Page 545 (C-2-2019) |
| GTIN | 4046356156097 |
| Weight per Piece (including packing) | 89.7 g |
| Weight per Piece (excluding packing) | 89.7 g |
| Customs tariff number | 85366990 |
| Country of origin | CN |

HC-B 16-I-UT-F-32 - Contact insert



1584884

<https://www.phoenixcontact.com/in/products/1584884>

Technical Data

Notes

| | |
|---------|--|
| General | for flexible conductors with or without ferrules |
| General | Connectors may be operated only when there is no load/voltage. |

Mounting

| | |
|-----------------------|---|
| Assembly instructions | To ensure correct use, installation in housing with IP54 protection or better is required |
|-----------------------|---|

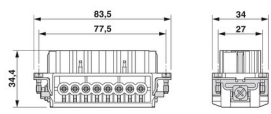
Product properties

| | |
|---------------------|--|
| Type | B16 B32 |
| Product type | Contact insert with a fixed no. of positions |
| Number of positions | 16 |
| Connection profile | 16+PE |
| Contact numbering | 17 - 32 |
| Contact type | turned |
| Series | HC-B |
| Screwdriver blade | 0.5 x 3.5 mm |

Insulation characteristics

| | |
|----------------------|-----|
| Overvoltage category | III |
| Degree of pollution | 3 |

Dimensions

| | |
|---------------------------------|--|
| Dimensional drawing |  |
| Width | 34 mm |
| Height | 34.6 mm |
| Length | 84 mm |
| Drill hole distance, horizontal | 77.5 mm |
| Drill hole distance, vertical | 27 mm |

Mechanical characteristics

| | |
|------------------|--------|
| Contact diameter | 2.5 mm |
|------------------|--------|

Connection data

Connection technology

| | |
|----------------------------------|------------------|
| Connection technology | Screw connection |
| Connection in acc. with standard | IEC / EN |

Conductor connection

HC-B 16-I-UT-F-32 - Contact insert



1584884

<https://www.phoenixcontact.com/in/products/1584884>

| | |
|---|--|
| Conductor cross section | 0.5 mm ² ... 2.5 mm ² |
| Connection cross section AWG | 20 ... 14 |
| Tightening torque | 0.8 Nm ... 1.2 Nm (PE connection) |
| | 0.5 Nm ... 0.8 Nm (Mounting screws for mounting in the HEAVYCON housing) |
| | 0.5 Nm ... 0.8 Nm |
| Stripping length of the individual wire | 8 mm |

Electrical properties

| | |
|-----------------------|----------------|
| Rated voltage (III/3) | 500 V |
| Rated surge voltage | 6 kV |
| Rated current | 16 A |
| SCCR | 5 kA (UL 2237) |

Mechanical properties

Mechanical data

| | |
|-----------------------------|-------|
| Insertion/withdrawal cycles | ≥ 500 |
|-----------------------------|-------|

Material specifications

| | |
|--|---|
| Flammability rating according to UL 94 | V0 |
| Contact material | Copper alloy |
| Contact surface material | Ag |
| Contact carrier material | PC |
| Standards/regulations | PC: Fire protection in rail vehicles - requirement sets R22, R23, and R24 acc. to DIN EN 45545-2 (Risk level HL1 - HL3) |

Environmental and real-life conditions

Ambient conditions

| | |
|---------------------------------|--|
| Ambient temperature (operation) | -40 °C ... 125 °C (including heating up of contacts) |
|---------------------------------|--|

Standards and regulations

| | |
|--|--------------|
| Constructional and testing regulations | DIN EN 61984 |
| | DIN EN 60664 |
| | IEC 60352 |
| Tests | DIN EN 61984 |
| | DIN EN 60664 |
| | IEC 60352 |

Testing

| | |
|-----------------------|---|
| Standards/regulations | PC: Fire protection in rail vehicles - requirement sets R22, R23, and R24 acc. to DIN EN 45545-2 (Risk level HL1 - HL3) |
|-----------------------|---|

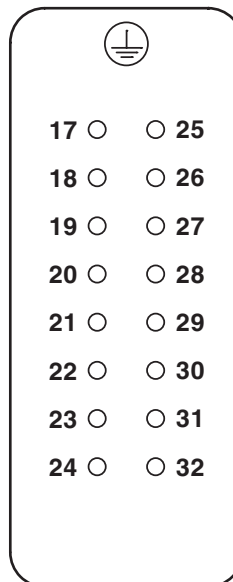
HC-B 16-I-UT-F-32 - Contact insert

1584884

<https://www.phoenixcontact.com/in/products/1584884>

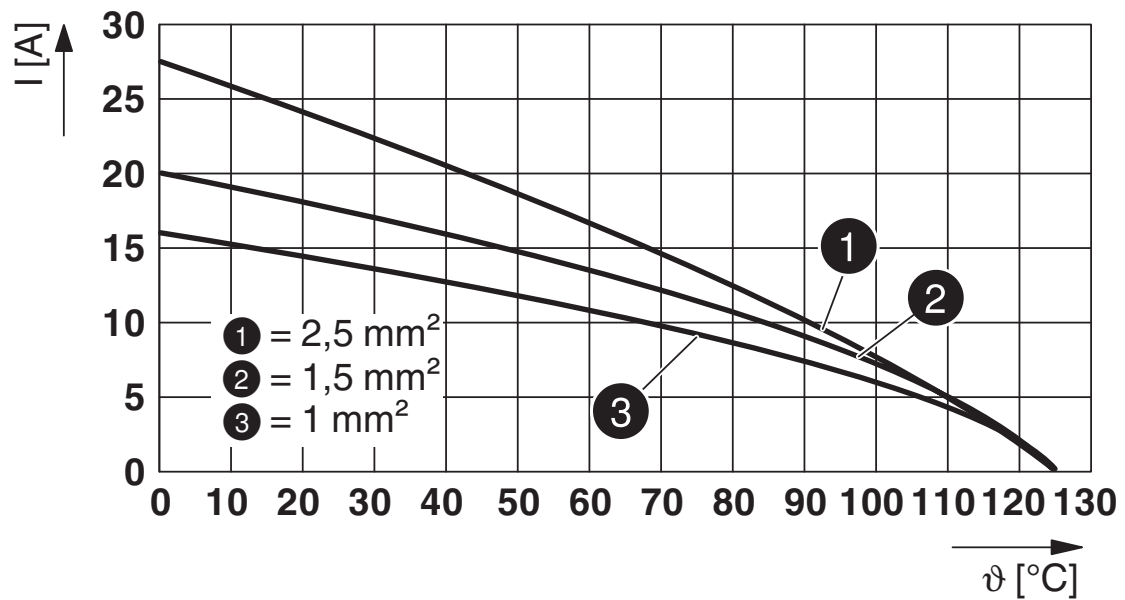
Drawings

Schematic diagram



Connector pin assignment, connection side

Diagram

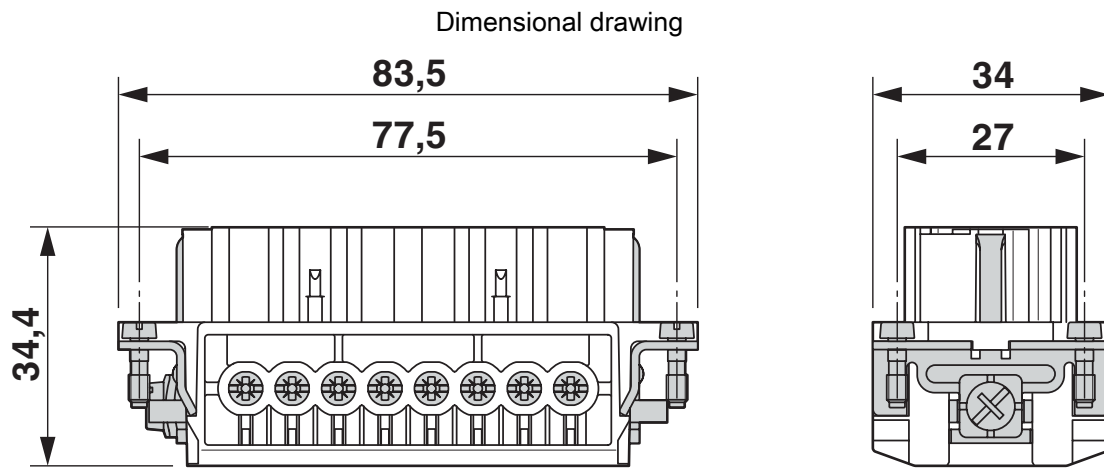


Derating diagram

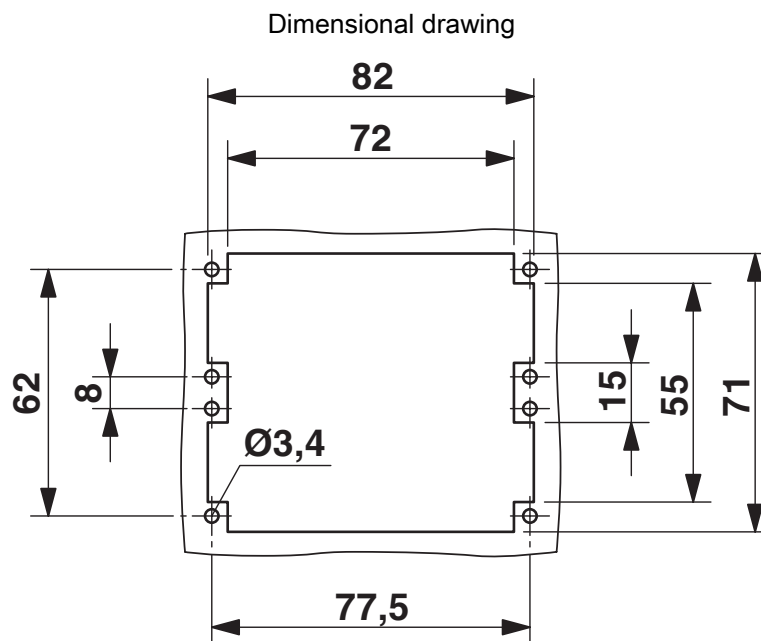
HC-B 16-I-UT-F-32 - Contact insert

1584884

<https://www.phoenixcontact.com/in/products/1584884>



Female insert



Mounting cutout when used without housing

HC-B 16-I-UT-F-32 - Contact insert




1584884

<https://www.phoenixcontact.com/in/products/1584884>

Approvals

| | | | | |
|---|-----------------------|-----------------------|-------------------|-----------------------------|
|  CSA Approval ID: 013631_6233_01 | | | | |
| | Nominal Voltage U_N | Nominal Current I_N | Cross Section AWG | Cross Section mm^2 |
| | 600 V | 13 A | 22 - 14 | - |

| | | | | |
|--|-----------------------|-----------------------|-------------------|-----------------------------|
|  UL Recognized Approval ID: FILE E 118976 | | | | |
| | Nominal Voltage U_N | Nominal Current I_N | Cross Section AWG | Cross Section mm^2 |
| | 600 V | 16 A | - 14 | - |

| | | | | |
|---|--|--|--|--|
|  EAC Approval ID: RU C-DE.AI30.B.01102 | | | | |
|---|--|--|--|--|

| | | | | |
|---|-----------------------|-----------------------|-------------------|-----------------------------|
|  cULus Recognized Approval ID: E468743 | | | | |
| | Nominal Voltage U_N | Nominal Current I_N | Cross Section AWG | Cross Section mm^2 |
| | 600 V | 14 A | - 14 | - |

| | | | | |
|---|--|--|--|--|
|  EAC Approval ID: RU C-DE.BL08.B.00511 | | | | |
|---|--|--|--|--|

HC-B 16-I-UT-F-32 - Contact insert



1584884

<https://www.phoenixcontact.com/in/products/1584884>

Classifications

ECLASS

| | |
|-------------|----------|
| ECLASS-11.0 | 27440205 |
| ECLASS-12.0 | 27440205 |
| ECLASS-13.0 | 27440205 |

ETIM

| | |
|----------|----------|
| ETIM 8.0 | EC000438 |
|----------|----------|

UNSPSC

| | |
|-------------|----------|
| UNSPSC 21.0 | 39121500 |
|-------------|----------|

HC-B 16-I-UT-F-32 - Contact insert



1584884

<https://www.phoenixcontact.com/in/products/1584884>

Environmental Product Compliance

| | |
|------------|--|
| REACH SVHC | Lead 7439-92-1 |
| China RoHS | Environmentally Friendly Use Period = 50 years |
| | For information on hazardous substances, refer to the manufacturer's declaration available under "Downloads" |

HC-B 16-I-UT-F-32 - Contact insert

1584884

<https://www.phoenixcontact.com/in/products/1584884>

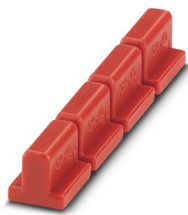


Accessories

CP-HC - Coding profile

1686478

<https://www.phoenixcontact.com/in/products/1686478>



Coding profile, 4 coding profiles per strip, for insertion in coding keyways

HC-CB - Coding bolt

1772722

<https://www.phoenixcontact.com/in/products/1772722>



Coding pin, prevents mismatching of up to six connectors with an identical number of positions

HC-B 16-I-UT-F-32 - Contact insert

1584884

<https://www.phoenixcontact.com/in/products/1584884>



HC-CST - Coding element

1676857

<https://www.phoenixcontact.com/in/products/1676857>



Coding peg for coding up to 16 connectors

HC-CBU - Coding element

1676860

<https://www.phoenixcontact.com/in/products/1676860>



Coding socket for coding up to 16 connectors

HC-B 16-I-UT-F-32 - Contact insert

1584884

<https://www.phoenixcontact.com/in/products/1584884>



HC-B-PE-PT - Adapter

1054672

<https://www.phoenixcontact.com/in/products/1054672>



PE adapter with PT connection, for 1 PE connection, for HC-B / HC-BB / HC-DD / HC-D40 / HC-D64 contact inserts

HC-B-2PE-PT - PE multiplier

1054675

<https://www.phoenixcontact.com/in/products/1054675>



PE adapter with PT connection, for 2 PE connections, for HC-B / HC-BB / HC-DD / HC-D40 / HC-D64 contact inserts

HC-B 16-I-UT-F-32 - Contact insert

1584884

<https://www.phoenixcontact.com/in/products/1584884>



HC-B-3PE - PE multiplier

1644326

<https://www.phoenixcontact.com/in/products/1644326>



PE multiplier, for 3 PE connections, for HC-B / HC-BB / HC-DD / HC-D40 / HC-D64 contact inserts

HC-B-PES - Screw

1604997

<https://www.phoenixcontact.com/in/products/1604997>



PE screw, for contact inserts HC-B / HC-BB / HC-DD / HC-D40 / HC-D64

HC-B 16-I-UT-F-32 - Contact insert

1584884

<https://www.phoenixcontact.com/in/products/1584884>



HC-B-ZG - Strain relief clamp

1685327

<https://www.phoenixcontact.com/in/products/1685327>



Strain relief clamps contact inserts of series: B-, BB-, D 40, D 64, DD and HV, straight cable exit

HC-B-ZS - Strain relief clamp

1685330

<https://www.phoenixcontact.com/in/products/1685330>



Strain relief clamps contact inserts of series: B-, BB-, D 40, D 64, DD and HV, lateral cable exit

HC-B 16-I-UT-F-32 - Contact insert

1584884

<https://www.phoenixcontact.com/in/products/1584884>



HC-CIF-B16-HFWL-PL - DIN rail mounting frame

1424336

<https://www.phoenixcontact.com/in/products/1424336>

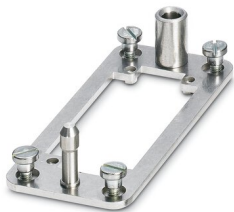


DIN rail mounting frame, design: B16, for contact inserts, Top frame

HC-B 16-ANDOCK - Docking frame

1586138

<https://www.phoenixcontact.com/in/products/1586138>



Docking frame for racks, for contact inserts of B16 type, with four M5 flat headed screws, rack balance x/y axis ± 1.5 mm

HC-B 16-I-UT-F-32 - Contact insert

1584884

<https://www.phoenixcontact.com/in/products/1584884>



HC-CIF-B06-24-BFAFL-PL - DIN rail mounting frame

1424338

<https://www.phoenixcontact.com/in/products/1424338>

DIN rail mounting frame, design: B6 - B24, for contact inserts, Base frame



HC-B24/16-ADP-SS - Adapter plate

1034216

<https://www.phoenixcontact.com/in/products/1034216>

Adapter plate, design: B24 to B16



HC-B 16-I-UT-F-32 - Contact insert

1584884

<https://www.phoenixcontact.com/in/products/1584884>



HC-B 16-I-UT-M-32 - Contact insert

1584871

<https://www.phoenixcontact.com/in/products/1584871>



Contact insert, number of positions: 16+PE, size: B16, Pin, Screw connection, 500 V, 16 A, 0.5 mm² ... 2.5 mm²

Phoenix Contact 2023 © - all rights reserved

<https://www.phoenixcontact.com>

PHOENIX CONTACT (I) Pvt. Ltd.

A-58/2, Okhla Industrial Area, Phase - II, New Delhi-110 020

+91.1275.71420

info@phoenixcontact.co.in