

# HC-BB10-I-CT-M - Contact insert



1584774

<https://www.phoenixcontact.com/in/products/1584774>

Please be informed that the data shown in this PDF document is generated from our online catalog. Please find the complete data in the user documentation. Our general terms of use for downloads are valid.



Contact insert, number of positions: 10+PE, size: B6, number of connections per position: 1, Pin, Crimp connection, 500 V, 16 A, 0.5 mm<sup>2</sup> ... 4 mm<sup>2</sup>

## Your advantages

- For fast coding with plastic profile (Order No. 1410916, type CP-HC-S)
- Shock and vibration-resistant in accordance with DIN EN 61373

## Commercial data

Item number	1584774
Packing unit	1 pc
Minimum order quantity	1 pc
Sales key	BF7
Product key	BF7ABD
Catalog page	Page 555 (C-2-2019)
GTIN	4046356149211
Weight per piece (including packing)	41.1 g
Weight per piece (excluding packing)	40 g
Customs tariff number	85366990
Country of origin	CN

# HC-BB10-I-CT-M - Contact insert



1584774

<https://www.phoenixcontact.com/in/products/1584774>

## Technical data

### Notes

General	For HEAVYCON ADVANCE and HEAVYCON housing of B6 type, crimp contacts CK 2,5-ED (crimp contacts not included in the scope of supply).
General	Connectors may be operated only when there is no load/voltage.

### Mounting

Assembly note	To ensure correct use, installation in housing with IP54 protection or better is required
---------------	---

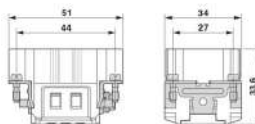
### Product properties

Product type	Contact insert with a fixed no. of positions
Series	HC-BB
Type	B6
Number of positions	10
Connection profile	10+PE
Contact numbering	1 - 10
Number of connections per position	1
Contact material type	turned

### Insulation characteristics

Overvoltage category	III
Degree of pollution	3

### Dimensions

Dimensional drawing	
Width	34 mm
Height	33.2 mm
Length	51 mm
Drill hole distance, horizontal	44 mm
Drill hole distance, vertical	27 mm

### Mechanical characteristics

Minimum housing height	72 mm
Contact diameter	2.5 mm

### Connection data

#### Connection technology

Connection technology	Crimp connection
-----------------------	------------------

# HC-BB10-I-CT-M - Contact insert



1584774

<https://www.phoenixcontact.com/in/products/1584774>

Number of connections per position	1
Connection in acc. with standard	IEC / EN

## Conductor connection

Conductor cross section	0.5 mm <sup>2</sup> ... 4 mm <sup>2</sup>
Connection cross section AWG	20 ... 12
Tightening torque	0.8 Nm ... 1.2 Nm (PE connection)
	0.5 Nm ... 0.8 Nm (Mounting screws for mounting in the HEAVYCON housing)
Stripping length of the individual wire	7.5 mm

## Electrical properties

Rated voltage (III/3)	500 V
Rated surge voltage	6 kV
Rated current	16 A

## Mechanical properties

### Mechanical data

Insertion/withdrawal cycles	≥ 500
-----------------------------	-------

## Material specifications

Flammability rating according to UL 94	V0
Contact material	Copper alloy
Contact surface material	Ag (alternatively Au)
Contact carrier material	PC
Standards/regulations	PC: Fire protection in rail vehicles - requirement sets R22, R23, and R24 acc. to DIN EN 45545-2 (Risk level HL1 - HL3)

## Environmental and real-life conditions

### Ambient conditions

Ambient temperature (operation)	-40 °C ... 125 °C (including heating up of contacts)
---------------------------------	--

## Standards and regulations

### Testing

Standards/regulations	PC: Fire protection in rail vehicles - requirement sets R22, R23, and R24 acc. to DIN EN 45545-2 (Risk level HL1 - HL3)
-----------------------	---

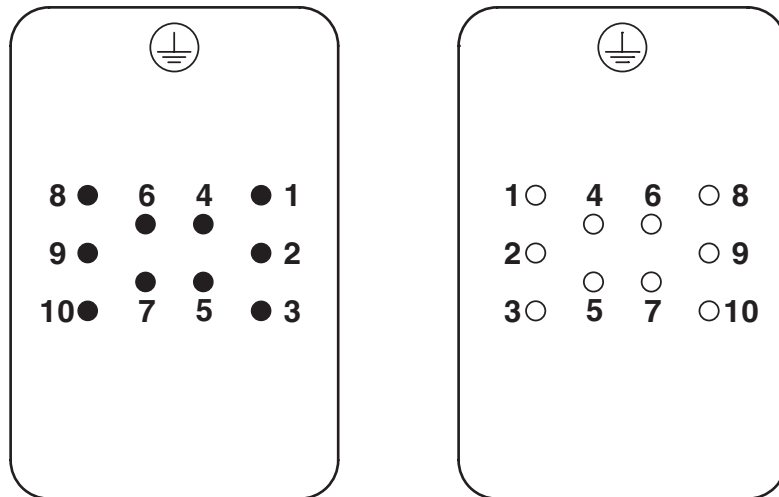
# HC-BB10-I-CT-M - Contact insert

1584774

<https://www.phoenixcontact.com/in/products/1584774>

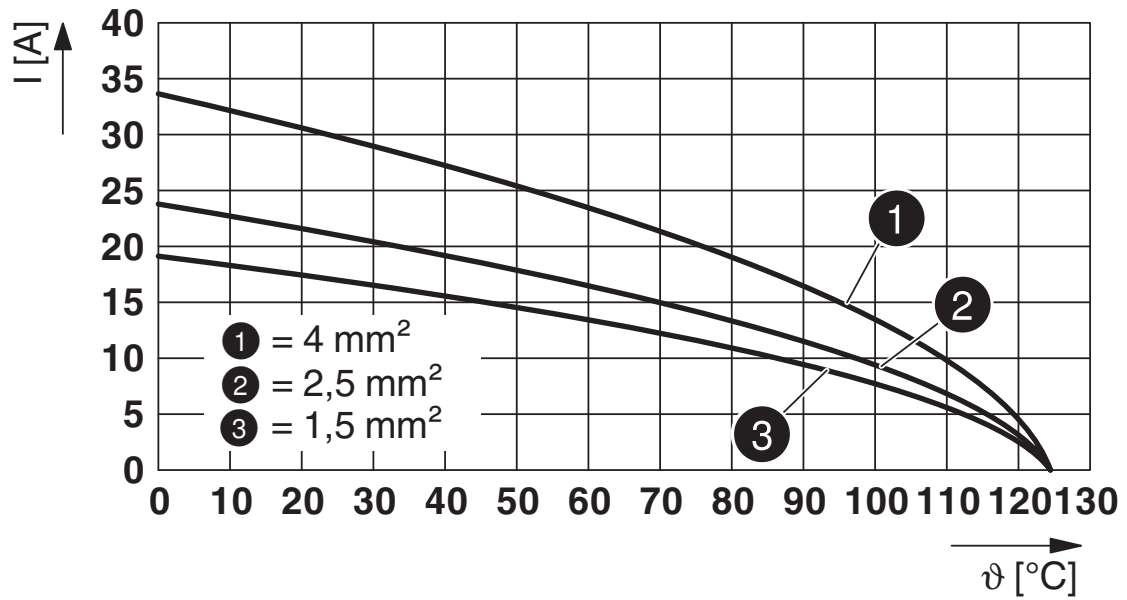
## Drawings

Schematic diagram



Connector pin assignment: Left pin - right socket

Diagram

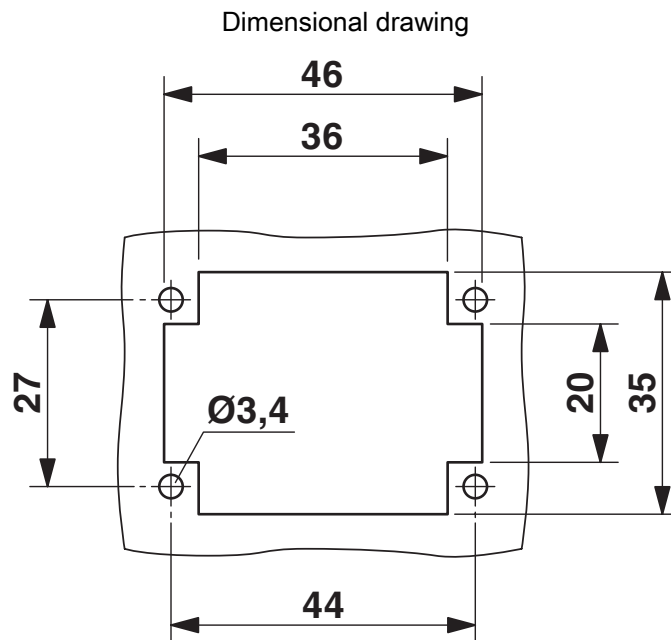


Derating diagram

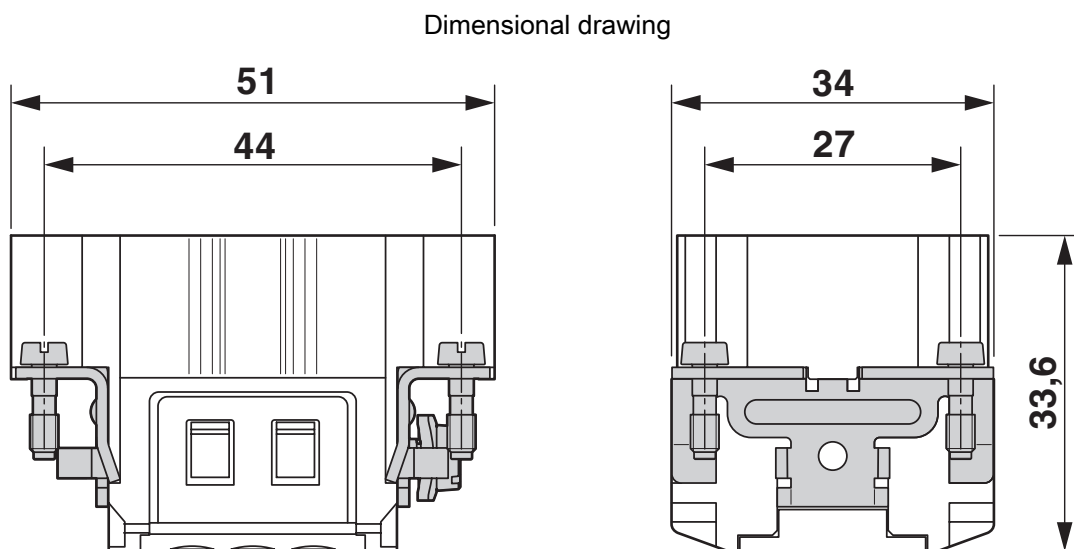
# HC-BB10-I-CT-M - Contact insert

1584774

<https://www.phoenixcontact.com/in/products/1584774>



Mounting cutout when used without housing



Male insert

# HC-BB10-I-CT-M - Contact insert



1584774

<https://www.phoenixcontact.com/in/products/1584774>

## Approvals

To download certificates, visit the product detail page: <https://www.phoenixcontact.com/in/products/1584774>

### DNV

Approval ID: TAE000037S



### CSA

Approval ID: 013631\_0\_000

	Nominal voltage $U_N$	Nominal current $I_N$	Cross section AWG	Cross section $\text{mm}^2$
	600 V	18 A	- 12	-



### UL Recognized

Approval ID: FILE E 118976

	Nominal voltage $U_N$	Nominal current $I_N$	Cross section AWG	Cross section $\text{mm}^2$
	600 V	20 A	- 12	-



### EAC

Approval ID: RU C-DE.BL08.B.00511

# HC-BB10-I-CT-M - Contact insert



1584774

<https://www.phoenixcontact.com/in/products/1584774>

## Classifications

### ECLASS

ECLASS-11.0	27440205
ECLASS-12.0	27440205
ECLASS-13.0	27440205

### ETIM

ETIM 9.0	EC000438
----------	----------

### UNSPSC

UNSPSC 21.0	39121500
-------------	----------

# HC-BB10-I-CT-M - Contact insert



1584774

<https://www.phoenixcontact.com/in/products/1584774>

## Environmental product compliance

### EU RoHS

Fulfills EU RoHS substance requirements	Yes, No exemptions
---	--------------------

### China RoHS

Environment friendly use period (EFUP)	EFUP-E
	No hazardous substances above the limits

### EU REACH SVHC

REACH candidate substance (CAS No.)	No substance above 0.1 wt%
-------------------------------------	----------------------------



# HC-BB10-I-CT-M - Contact insert

1584774

<https://www.phoenixcontact.com/in/products/1584774>



## Accessories

### CP-HC-S - Coding profile

1410916

<https://www.phoenixcontact.com/in/products/1410916>

Coding profile, for contact inserts HC-BB... / HC-A10... / HC-A16...



---

### HC-CB - Coding bolt

1772722

<https://www.phoenixcontact.com/in/products/1772722>

Coding pin, prevents mismatching of up to six connectors with an identical number of positions



# HC-BB10-I-CT-M - Contact insert

1584774

<https://www.phoenixcontact.com/in/products/1584774>



## HC-CST - Coding element

1676857

<https://www.phoenixcontact.com/in/products/1676857>



Coding peg for coding up to 16 connectors

---

## HC-CBU - Coding element

1676860

<https://www.phoenixcontact.com/in/products/1676860>



Coding socket for coding up to 16 connectors

# HC-BB10-I-CT-M - Contact insert

1584774

<https://www.phoenixcontact.com/in/products/1584774>



## HC-B-PE-PT - Adapter

1054672

<https://www.phoenixcontact.com/in/products/1054672>



PE adapter with PT connection, for 1 PE connection, for HC-B / HC-BB / HC-DD / HC-D40 / HC-D64 contact inserts

---

## HC-B-2PE-PT - PE multiplier

1054675

<https://www.phoenixcontact.com/in/products/1054675>



PE adapter with PT connection, for 2 PE connections, for HC-B / HC-BB / HC-DD / HC-D40 / HC-D64 contact inserts

# HC-BB10-I-CT-M - Contact insert

1584774

<https://www.phoenixcontact.com/in/products/1584774>



## HC-B-3PE - PE multiplier

1644326

<https://www.phoenixcontact.com/in/products/1644326>

PE multiplier, for 3 PE connections, for HC-B / HC-BB / HC-DD / HC-D40 / HC-D64 contact inserts



---

## HC-B-PES - Screw

1604997

<https://www.phoenixcontact.com/in/products/1604997>

PE screw, for contact inserts HC-B / HC-BB / HC-DD / HC-D40 / HC-D64



# HC-BB10-I-CT-M - Contact insert

1584774

<https://www.phoenixcontact.com/in/products/1584774>



## HC-B-ZG - Strain relief clamp

1685327

<https://www.phoenixcontact.com/in/products/1685327>



Strain relief clamps contact inserts of series: B-, BB-, D 40, D 64, DD and HV, straight cable exit

---

## HC-B-ZS - Strain relief clamp

1685330

<https://www.phoenixcontact.com/in/products/1685330>



Strain relief clamps contact inserts of series: B-, BB-, D 40, D 64, DD and HV, lateral cable exit

# HC-BB10-I-CT-M - Contact insert

1584774

<https://www.phoenixcontact.com/in/products/1584774>



## HC-CIF-B06-HFWL-PL - DIN rail mounting frame

1424334

<https://www.phoenixcontact.com/in/products/1424334>



DIN rail mounting frame, design: B6, for contact inserts, Top frame

---

## HC-B 6-ANDOCK - Docking frame

1586112

<https://www.phoenixcontact.com/in/products/1586112>



Docking frames for racks, for type B6 contact inserts, with 4 M5 flat headed screws, slide-in offset for x/y axis of  $\pm 1.5$  mm

# HC-BB10-I-CT-M - Contact insert

1584774

<https://www.phoenixcontact.com/in/products/1584774>



## HC-CIF-B06-24-BFAFL-PL - DIN rail mounting frame

1424338

<https://www.phoenixcontact.com/in/products/1424338>



DIN rail mounting frame, design: B6 - B24, for contact inserts, Base frame

---

## HC-B24/6-ADP-SS - Adapter plate

1034215

<https://www.phoenixcontact.com/in/products/1034215>



Adapter plate, design: B24 to B6

## HC-BB10-I-CT-M - Contact insert

1584774

<https://www.phoenixcontact.com/in/products/1584774>



### CK2,5-ED-0,50ST AG - Crimp contact

1663572

<https://www.phoenixcontact.com/in/products/1663572>



Crimp contact, contact diameter: 2.5 mm, turned, Pin, contact material: Copper alloy, contact surface: silver-plated, connection cross section: 0.5 mm<sup>2</sup> ... 0.5 mm<sup>2</sup>, AWG 20

---

### CK2,5-ED-0,75ST AG - Crimp contact

1663585

<https://www.phoenixcontact.com/in/products/1663585>



Crimp contact, contact diameter: 2.5 mm, turned, Pin, contact material: Copper alloy, contact surface: silver-plated, connection cross section: 0.75 mm<sup>2</sup> ... 0.75 mm<sup>2</sup>, AWG 18



## HC-BB10-I-CT-M - Contact insert

1584774

<https://www.phoenixcontact.com/in/products/1584774>



### CK2,5-ED-1,00ST AG - Crimp contact

1663598

<https://www.phoenixcontact.com/in/products/1663598>



Crimp contact, contact diameter: 2.5 mm, turned, Pin, contact material: Copper alloy, contact surface: silver-plated, connection cross section: 1 mm<sup>2</sup> ... 1 mm<sup>2</sup>, AWG 18

---

### CK2,5-ED-1,50ST AG - Crimp contact

1663608

<https://www.phoenixcontact.com/in/products/1663608>



Crimp contact, contact diameter: 2.5 mm, turned, Pin, contact material: Copper alloy, contact surface: silver-plated, connection cross section: 1.5 mm<sup>2</sup> ... 1.5 mm<sup>2</sup>, AWG 16

## HC-BB10-I-CT-M - Contact insert

1584774

<https://www.phoenixcontact.com/in/products/1584774>



### CK2,5-ED-2,50ST AG - Crimp contact

1663611

<https://www.phoenixcontact.com/in/products/1663611>



Crimp contact, contact diameter: 2.5 mm, turned, Pin, contact material: Copper alloy, contact surface: silver-plated, connection cross section: 2.5 mm<sup>2</sup> ... 2.5 mm<sup>2</sup>, AWG 14

---

### CK2,5-ED-3,00ST AG - Crimp contact

1663624

<https://www.phoenixcontact.com/in/products/1663624>



Crimp contact, contact diameter: 2.5 mm, turned, Pin, contact material: Copper alloy, contact surface: silver-plated, connection cross section: 3 mm<sup>2</sup> ... 3 mm<sup>2</sup>, AWG 12

# HC-BB10-I-CT-M - Contact insert

1584774

<https://www.phoenixcontact.com/in/products/1584774>



## CK2,5-ED-4,00ST AG - Crimp contact

1663637

<https://www.phoenixcontact.com/in/products/1663637>



Crimp contact, contact diameter: 2.5 mm, turned, Pin, contact material: Copper alloy, contact surface: silver-plated, connection cross section: 4 mm<sup>2</sup> ... 4 mm<sup>2</sup>, AWG 12

---

## CK2,5-ED-0,50M AG - Crimp contact

1273667

<https://www.phoenixcontact.com/in/products/1273667>



Crimp contact, contact diameter: 2.5 mm, turned, Pin, contact material: Copper alloy, lead-free, contact surface: silver-plated, connection cross section: 0.5 mm<sup>2</sup> ... 0.5 mm<sup>2</sup>, AWG 20

# HC-BB10-I-CT-M - Contact insert

1584774

<https://www.phoenixcontact.com/in/products/1584774>



## CK2,5-ED-0,75M AG - Crimp contact

1273666

<https://www.phoenixcontact.com/in/products/1273666>



Crimp contact, contact diameter: 2.5 mm, turned, Pin, contact material: Copper alloy, lead-free, contact surface: silver-plated, connection cross section: 0.75 mm<sup>2</sup> ... 0.75 mm<sup>2</sup>, AWG 18

---

## CK2,5-ED-1,00M AG - Crimp contact

1273665

<https://www.phoenixcontact.com/in/products/1273665>



Crimp contact, contact diameter: 2.5 mm, turned, Pin, contact material: Copper alloy, lead-free, contact surface: silver-plated, connection cross section: 1 mm<sup>2</sup> ... 1 mm<sup>2</sup>, AWG 18

# HC-BB10-I-CT-M - Contact insert

1584774

<https://www.phoenixcontact.com/in/products/1584774>



## CK2,5-ED-1,50M AG - Crimp contact

1273664

<https://www.phoenixcontact.com/in/products/1273664>



Crimp contact, contact diameter: 2.5 mm, turned, Pin, contact material: Copper alloy, lead-free, contact surface: silver-plated, connection cross section: 1.5 mm<sup>2</sup> ... 1.5 mm<sup>2</sup>, AWG 16

---

## CK2,5-ED-2,50M AG - Crimp contact

1273663

<https://www.phoenixcontact.com/in/products/1273663>



Crimp contact, contact diameter: 2.5 mm, turned, Pin, contact material: Copper alloy, lead-free, contact surface: silver-plated, connection cross section: 2.5 mm<sup>2</sup> ... 2.5 mm<sup>2</sup>, AWG 14

## HC-BB10-I-CT-M - Contact insert

1584774

<https://www.phoenixcontact.com/in/products/1584774>



### CK2,5-ED-3,00M AG - Crimp contact

1273648

<https://www.phoenixcontact.com/in/products/1273648>



Crimp contact, contact diameter: 2.5 mm, turned, Pin, contact material: Copper alloy, lead-free, contact surface: silver-plated, connection cross section: 3 mm<sup>2</sup> ... 3 mm<sup>2</sup>, AWG 12

---

### CK2,5-ED-4,00M AG - Crimp contact

1273620

<https://www.phoenixcontact.com/in/products/1273620>



Crimp contact, contact diameter: 2.5 mm, turned, Pin, contact material: Copper alloy, lead-free, contact surface: silver-plated, connection cross section: 4 mm<sup>2</sup> ... 4 mm<sup>2</sup>, AWG 12

## HC-BB10-I-CT-M - Contact insert

1584774

<https://www.phoenixcontact.com/in/products/1584774>



### CK2,5-ED-0,37ST AU - Crimp contact

1585663

<https://www.phoenixcontact.com/in/products/1585663>



Crimp contact, contact diameter: 2.5 mm, turned, Pin, contact material: Copper alloy, contact surface: gold-plated, connection cross section: 0.14 mm<sup>2</sup> ... 0.37 mm<sup>2</sup>, AWG 22 ... 26

---

### CK2,5-ED-0,50ST AU - Crimp contact

1674804

<https://www.phoenixcontact.com/in/products/1674804>



Crimp contact, contact diameter: 2.5 mm, turned, Pin, contact material: Copper alloy, contact surface: gold-plated, connection cross section: 0.5 mm<sup>2</sup> ... 0.5 mm<sup>2</sup>, AWG 20

## HC-BB10-I-CT-M - Contact insert

1584774

<https://www.phoenixcontact.com/in/products/1584774>



### CK2,5-ED-1,00ST AU - Crimp contact

1674781

<https://www.phoenixcontact.com/in/products/1674781>



Crimp contact, contact diameter: 2.5 mm, turned, Pin, contact material: Copper alloy, contact surface: gold-plated, connection cross section: 1 mm<sup>2</sup> ... 1 mm<sup>2</sup>, AWG 18

---

### CK2,5-ED-1,50ST AU - Crimp contact

1674778

<https://www.phoenixcontact.com/in/products/1674778>



Crimp contact, contact diameter: 2.5 mm, turned, Pin, contact material: Copper alloy, contact surface: gold-plated, connection cross section: 1.5 mm<sup>2</sup> ... 1.5 mm<sup>2</sup>, AWG 16



## HC-BB10-I-CT-M - Contact insert

1584774

<https://www.phoenixcontact.com/in/products/1584774>



### CK2,5-ED-2,50ST AU - Crimp contact

1674817

<https://www.phoenixcontact.com/in/products/1674817>



Crimp contact, contact diameter: 2.5 mm, turned, Pin, contact material: Copper alloy, contact surface: gold-plated, connection cross section: 2.5 mm<sup>2</sup> ... 2.5 mm<sup>2</sup>, AWG 14

---

### CK2,5-ED-4,00ST AU - Crimp contact

1674794

<https://www.phoenixcontact.com/in/products/1674794>



Crimp contact, contact diameter: 2.5 mm, turned, Pin, contact material: Copper alloy, contact surface: gold-plated, connection cross section: 4 mm<sup>2</sup> ... 4 mm<sup>2</sup>, AWG 12

# HC-BB10-I-CT-M - Contact insert

1584774

<https://www.phoenixcontact.com/in/products/1584774>



## CK2,5-ED-0,37M AU - Crimp contact

1273603

<https://www.phoenixcontact.com/in/products/1273603>



Crimp contact, contact diameter: 2.5 mm, turned, Pin, contact material: Copper alloy, lead-free, contact surface: gold-plated, connection cross section: 0.14 mm<sup>2</sup> ... 0.37 mm<sup>2</sup>, AWG 22 ... 26

---

## CK2,5-ED-0,50M AU - Crimp contact

1273601

<https://www.phoenixcontact.com/in/products/1273601>



Crimp contact, contact diameter: 2.5 mm, turned, Pin, contact material: Copper alloy, lead-free, contact surface: gold-plated, connection cross section: 0.5 mm<sup>2</sup> ... 0.5 mm<sup>2</sup>, AWG 20

## HC-BB10-I-CT-M - Contact insert

1584774

<https://www.phoenixcontact.com/in/products/1584774>



### CK2,5-ED-1,00M AU - Crimp contact

1273582

<https://www.phoenixcontact.com/in/products/1273582>



Crimp contact, contact diameter: 2.5 mm, turned, Pin, contact material: Copper alloy, lead-free, contact surface: gold-plated, connection cross section: 1 mm<sup>2</sup> ... 1 mm<sup>2</sup>, AWG 18

---

### CK2,5-ED-1,50M AU - Crimp contact

1273581

<https://www.phoenixcontact.com/in/products/1273581>



Crimp contact, contact diameter: 2.5 mm, turned, Pin, contact material: Copper alloy, lead-free, contact surface: gold-plated, connection cross section: 1.5 mm<sup>2</sup> ... 1.5 mm<sup>2</sup>, AWG 16

## HC-BB10-I-CT-M - Contact insert

1584774

<https://www.phoenixcontact.com/in/products/1584774>



### CK2,5-ED-2,50M AU - Crimp contact

1273572

<https://www.phoenixcontact.com/in/products/1273572>



Crimp contact, contact diameter: 2.5 mm, turned, Pin, contact material: Copper alloy, lead-free, contact surface: gold-plated, connection cross section: 2.5 mm<sup>2</sup> ... 2.5 mm<sup>2</sup>, AWG 14

---

### CK2,5-ED-4,00M AU - Crimp contact

1273568

<https://www.phoenixcontact.com/in/products/1273568>



Crimp contact, contact diameter: 2.5 mm, turned, Pin, contact material: Copper alloy, lead-free, contact surface: gold-plated, connection cross section: 4 mm<sup>2</sup> ... 4 mm<sup>2</sup>, AWG 12

## HC-BB10-I-CT-M - Contact insert

1584774

<https://www.phoenixcontact.com/in/products/1584774>



## HC-BB10-I-CT-F - Contact insert

1584703

<https://www.phoenixcontact.com/in/products/1584703>



Contact insert, number of positions: 10+PE, size: B6, number of connections per position: 1, Socket, Crimp connection, 500 V, 16 A, 0.5 mm<sup>2</sup> ... 4 mm<sup>2</sup>

---

## UNIFOX MT-CK 1.6/2.5 - Assembly tool

1089092

<https://www.phoenixcontact.com/in/products/1089092>



Assembly tool, for CK 1.6... crimp contacts for small conductor cross sections

# HC-BB10-I-CT-M - Contact insert

1584774

<https://www.phoenixcontact.com/in/products/1584774>



## UNIFOX RT-CK 2.5 - Contact removal tool

1072067

<https://www.phoenixcontact.com/in/products/1072067>



Contact removal tool, for turned CK 2,5... contacts

---

Phoenix Contact 2024 © - all rights reserved

<https://www.phoenixcontact.com>

PHOENIX CONTACT (I) Pvt. Ltd.

A-58/2, Okhla Industrial Area, Phase - II, New Delhi-110 020

+91.1275.71420

[info@phoenixcontact.co.in](mailto:info@phoenixcontact.co.in)