

HC-BB10-I-CT-F - Contact insert



1584703

<https://www.phoenixcontact.com/in/products/1584703>

Please be informed that the data shown in this PDF document is generated from our online catalog. Please find the complete data in the user documentation. Our general terms of use for downloads are valid.



Contact insert, number of positions: 10+PE, size: B6, number of connections per position: 1, Socket, Crimp connection, 500 V, 16 A, 0.5 mm² ... 4 mm²

Your advantages

- For fast coding with plastic profile (Order No. 1410916, type CP-HC-S)
- Shock and vibration-resistant in accordance with DIN EN 61373

Commercial data

Item number	1584703
Packing unit	1 pc
Minimum order quantity	1 pc
Sales key	BF7
Product key	BF7ABD
Catalog page	Page 555 (C-2-2019)
GTIN	4046356149228
Weight per piece (including packing)	44 g
Weight per piece (excluding packing)	44 g
Customs tariff number	85366990
Country of origin	CN

HC-BB10-I-CT-F - Contact insert



1584703

<https://www.phoenixcontact.com/in/products/1584703>

Technical data

Notes

General	For HEAVYCON ADVANCE and HEAVYCON housing of B6 type, crimp contacts CK 2,5-ED (crimp contacts not included in the scope of supply).
General	Connectors may be operated only when there is no load/voltage.

Mounting

Assembly note	To ensure correct use, installation in housing with IP54 protection or better is required
---------------	---

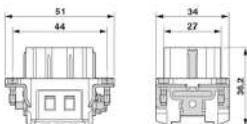
Product properties

Product type	Contact insert with a fixed no. of positions
Series	HC-BB
Type	B6
Number of positions	10
Connection profile	10+PE
Contact numbering	1 - 10
Number of connections per position	1
Contact material type	turned

Insulation characteristics

Overvoltage category	III
Degree of pollution	3

Dimensions

Dimensional drawing	
Width	34 mm
Height	32.5 mm
Length	51 mm
Drill hole distance, horizontal	44 mm
Drill hole distance, vertical	27 mm

Mechanical characteristics

Minimum housing height	72 mm
Contact diameter	2.5 mm

Connection data

Connection technology

Connection technology	Crimp connection
-----------------------	------------------

HC-BB10-I-CT-F - Contact insert



1584703

<https://www.phoenixcontact.com/in/products/1584703>

Number of connections per position	1
Connection in acc. with standard	IEC / EN

Conductor connection

Conductor cross section	0.5 mm ² ... 4 mm ²
Connection cross section AWG	20 ... 12
Tightening torque	0.8 Nm ... 1.2 Nm (PE connection)
	0.5 Nm ... 0.8 Nm (Mounting screws for mounting in the HEAVYCON housing)
Stripping length of the individual wire	7.5 mm

Electrical properties

Rated voltage (III/3)	500 V
Rated surge voltage	6 kV
Rated current	16 A

Mechanical properties

Mechanical data

Insertion/withdrawal cycles	≥ 500
-----------------------------	-------

Material specifications

Flammability rating according to UL 94	V0
Contact material	Copper alloy
Contact surface material	Ag (alternatively Au)
Contact carrier material	PC
Standards/regulations	PC: Fire protection in rail vehicles - requirement sets R22, R23, and R24 acc. to DIN EN 45545-2 (Risk level HL1 - HL3)

Environmental and real-life conditions

Ambient conditions

Ambient temperature (operation)	-40 °C ... 125 °C (including heating up of contacts)
---------------------------------	--

Standards and regulations

Testing

Standards/regulations	PC: Fire protection in rail vehicles - requirement sets R22, R23, and R24 acc. to DIN EN 45545-2 (Risk level HL1 - HL3)
-----------------------	---

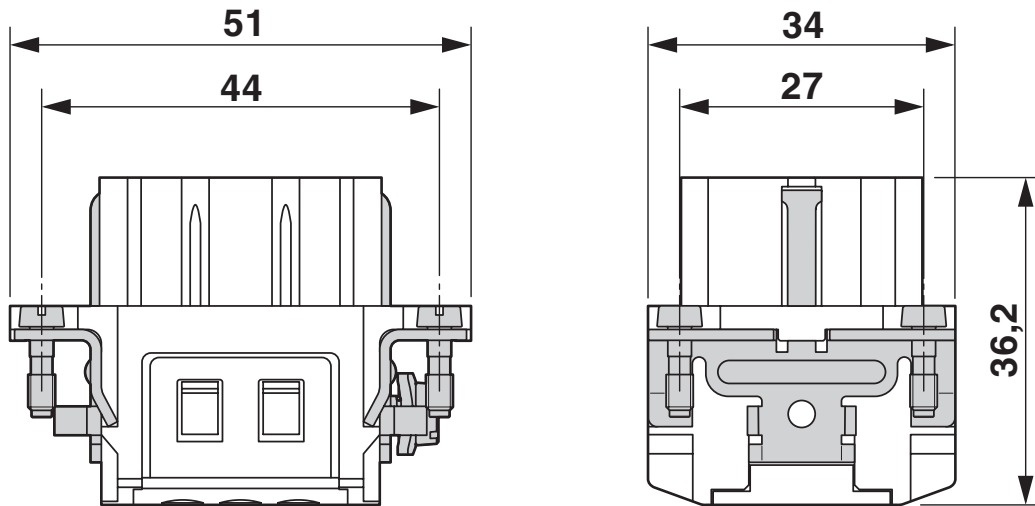
HC-BB10-I-CT-F - Contact insert

1584703

<https://www.phoenixcontact.com/in/products/1584703>

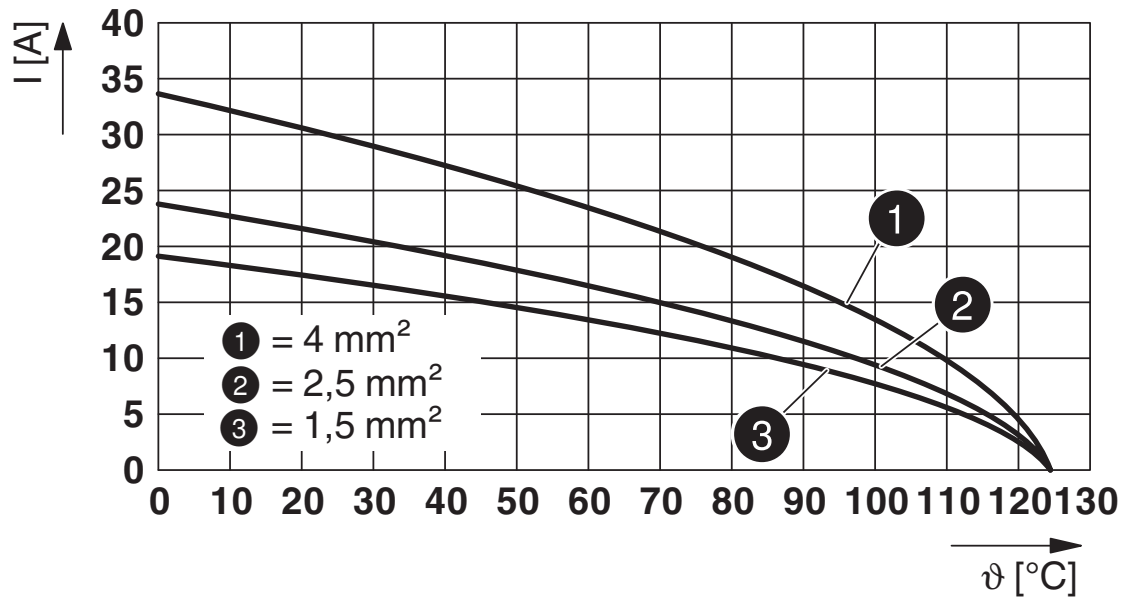
Drawings

Dimensional drawing



Female insert

Diagram

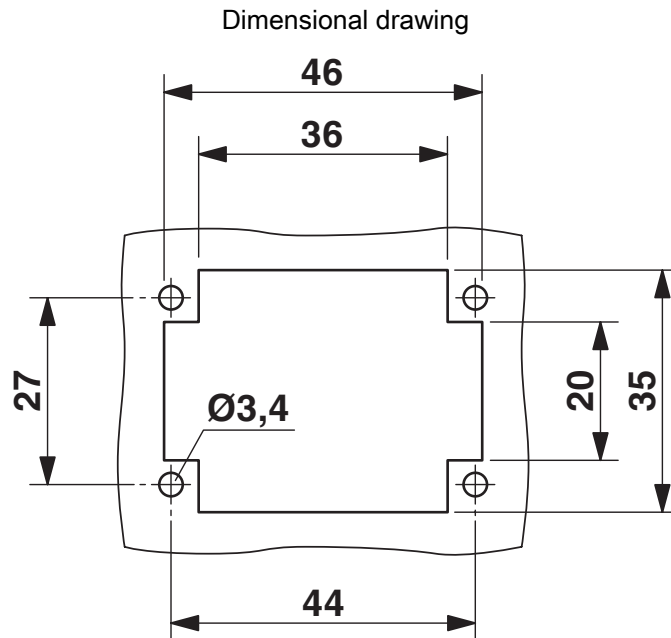


Derating diagram

HC-BB10-I-CT-F - Contact insert

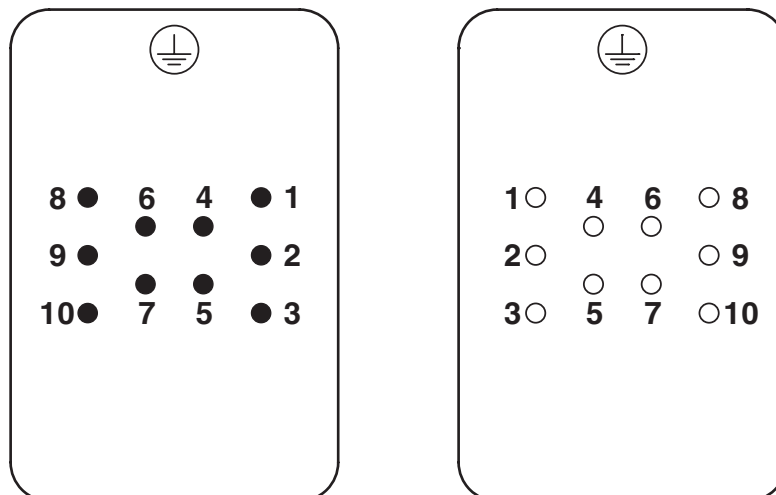
1584703

<https://www.phoenixcontact.com/in/products/1584703>



Mounting cutout when used without housing

Schematic diagram



Connector pin assignment: Left pin - right socket

HC-BB10-I-CT-F - Contact insert



1584703

<https://www.phoenixcontact.com/in/products/1584703>

Approvals

To download certificates, visit the product detail page: <https://www.phoenixcontact.com/in/products/1584703>

DNV

Approval ID: TAE000037S



CSA

Approval ID: 013631_0_000

	Nominal voltage U_N	Nominal current I_N	Cross section AWG	Cross section mm^2
	600 V	18 A	- 12	-



UL Recognized

Approval ID: FILE E 118976

	Nominal voltage U_N	Nominal current I_N	Cross section AWG	Cross section mm^2
	600 V	20 A	- 12	-



EAC

Approval ID: RU C-DE.BL08.B.00511



UL Recognized

Approval ID: E468743

	Nominal voltage U_N	Nominal current I_N	Cross section AWG	Cross section mm^2
	600 V	16 A	-	-

HC-BB10-I-CT-F - Contact insert



1584703

<https://www.phoenixcontact.com/in/products/1584703>

Classifications

ECLASS

ECLASS-11.0	27440205
ECLASS-12.0	27440205
ECLASS-13.0	27440205

ETIM

ETIM 9.0	EC000438
----------	----------

UNSPSC

UNSPSC 21.0	39121500
-------------	----------

HC-BB10-I-CT-F - Contact insert



1584703

<https://www.phoenixcontact.com/in/products/1584703>

Environmental product compliance

EU RoHS

Fulfills EU RoHS substance requirements	Yes, No exemptions
---	--------------------

China RoHS

Environment friendly use period (EFUP)	EFUP-E
	No hazardous substances above the limits

EU REACH SVHC

REACH candidate substance (CAS No.)	No substance above 0.1 wt%
-------------------------------------	----------------------------

HC-BB10-I-CT-F - Contact insert

1584703

<https://www.phoenixcontact.com/in/products/1584703>



Accessories

CP-HC-S - Coding profile

1410916

<https://www.phoenixcontact.com/in/products/1410916>

Coding profile, for contact inserts HC-BB... / HC-A10... / HC-A16...



HC-CP-CK2.5-PL - Coding element

1095419

<https://www.phoenixcontact.com/in/products/1095419>

Dummy socket for contact carrier with turned CK 2,5-ED... socket contacts. For HC-A../HC-BB../HC-M... series contact inserts.



HC-BB10-I-CT-F - Contact insert

1584703

<https://www.phoenixcontact.com/in/products/1584703>



HC-CB - Coding bolt

1772722

<https://www.phoenixcontact.com/in/products/1772722>



Coding pin, prevents mismatching of up to six connectors with an identical number of positions

HC-CST - Coding element

1676857

<https://www.phoenixcontact.com/in/products/1676857>



Coding peg for coding up to 16 connectors

HC-BB10-I-CT-F - Contact insert

1584703

<https://www.phoenixcontact.com/in/products/1584703>



HC-CBU - Coding element

1676860

<https://www.phoenixcontact.com/in/products/1676860>



Coding socket for coding up to 16 connectors

HC-B-PE-PT - Adapter

1054672

<https://www.phoenixcontact.com/in/products/1054672>



PE adapter with PT connection, for 1 PE connection, for HC-B / HC-BB / HC-DD / HC-D40 / HC-D64 contact inserts

HC-BB10-I-CT-F - Contact insert

1584703

<https://www.phoenixcontact.com/in/products/1584703>



HC-B-2PE-PT - PE multiplier

1054675

<https://www.phoenixcontact.com/in/products/1054675>



PE adapter with PT connection, for 2 PE connections, for HC-B / HC-BB / HC-DD / HC-D40 / HC-D64 contact inserts

HC-B-3PE - PE multiplier

1644326

<https://www.phoenixcontact.com/in/products/1644326>



PE multiplier, for 3 PE connections, for HC-B / HC-BB / HC-DD / HC-D40 / HC-D64 contact inserts

HC-BB10-I-CT-F - Contact insert

1584703

<https://www.phoenixcontact.com/in/products/1584703>



HC-B-PES - Screw

1604997

<https://www.phoenixcontact.com/in/products/1604997>

PE screw, for contact inserts HC-B / HC-BB / HC-DD / HC-D40 / HC-D64



HC-B-ZG - Strain relief clamp

1685327

<https://www.phoenixcontact.com/in/products/1685327>

Strain relief clamps contact inserts of series: B-, BB-, D 40, D 64, DD and HV, straight cable exit



HC-BB10-I-CT-F - Contact insert

1584703

<https://www.phoenixcontact.com/in/products/1584703>



HC-B-ZS - Strain relief clamp

1685330

<https://www.phoenixcontact.com/in/products/1685330>



Strain relief clamps contact inserts of series: B-, BB-, D 40, D 64, DD and HV, lateral cable exit

HC-CIF-B06-HFWL-PL - DIN rail mounting frame

1424334

<https://www.phoenixcontact.com/in/products/1424334>



DIN rail mounting frame, design: B6, for contact inserts, Top frame

HC-BB10-I-CT-F - Contact insert

1584703

<https://www.phoenixcontact.com/in/products/1584703>



HC-B 6-ANDOCK - Docking frame

1586112

<https://www.phoenixcontact.com/in/products/1586112>



Docking frames for racks, for type B6 contact inserts, with 4 M5 flat headed screws, slide-in offset for x/y axis of ± 1.5 mm

HC-CIF-B06-24-BFAFL-PL - DIN rail mounting frame

1424338

<https://www.phoenixcontact.com/in/products/1424338>



DIN rail mounting frame, design: B6 - B24, for contact inserts, Base frame

HC-BB10-I-CT-F - Contact insert

1584703

<https://www.phoenixcontact.com/in/products/1584703>



HC-B24/6-ADP-SS - Adapter plate

1034215

<https://www.phoenixcontact.com/in/products/1034215>

Adapter plate, design: B24 to B6



CK2,5-ED-0,50BU AG - Crimp contact

1663640

<https://www.phoenixcontact.com/in/products/1663640>

Crimp contact, contact diameter: 2.5 mm, turned, Socket, contact material: Copper alloy, contact surface: silver-plated, connection cross section: 0.5 mm² ... 0.5 mm², AWG 20



HC-BB10-I-CT-F - Contact insert

1584703

<https://www.phoenixcontact.com/in/products/1584703>



CK2,5-ED-0,75BU AG - Crimp contact

1663653

<https://www.phoenixcontact.com/in/products/1663653>



Crimp contact, contact diameter: 2.5 mm, turned, Socket, contact material: Copper alloy, contact surface: silver-plated, connection cross section: 0.75 mm² ... 0.75 mm², AWG 18

CK2,5-ED-1,00BU AG - Crimp contact

1663666

<https://www.phoenixcontact.com/in/products/1663666>



Crimp contact, contact diameter: 2.5 mm, turned, Socket, contact material: Copper alloy, contact surface: silver-plated, connection cross section: 1 mm² ... 1 mm², AWG 18

HC-BB10-I-CT-F - Contact insert

1584703

<https://www.phoenixcontact.com/in/products/1584703>



CK2,5-ED-1,50BU AG - Crimp contact

1663679

<https://www.phoenixcontact.com/in/products/1663679>



Crimp contact, contact diameter: 2.5 mm, turned, Socket, contact material: Copper alloy, contact surface: silver-plated, connection cross section: 1.5 mm² ... 1.5 mm², AWG 16

CK2,5-ED-2,50BU AG - Crimp contact

1663682

<https://www.phoenixcontact.com/in/products/1663682>



Crimp contact, contact diameter: 2.5 mm, turned, Socket, contact material: Copper alloy, contact surface: silver-plated, connection cross section: 2.5 mm² ... 2.5 mm², AWG 14

HC-BB10-I-CT-F - Contact insert

1584703

<https://www.phoenixcontact.com/in/products/1584703>



CK2,5-ED-3,00BU AG - Crimp contact

1663695

<https://www.phoenixcontact.com/in/products/1663695>



Crimp contact, contact diameter: 2.5 mm, turned, Socket, contact material: Copper alloy, contact surface: silver-plated, connection cross section: 3 mm² ... 3 mm², AWG 12

CK2,5-ED-4,00BU AG - Crimp contact

1663705

<https://www.phoenixcontact.com/in/products/1663705>



Crimp contact, contact diameter: 2.5 mm, turned, Socket, contact material: Copper alloy, contact surface: silver-plated, connection cross section: 4 mm² ... 4 mm², AWG 12

HC-BB10-I-CT-F - Contact insert

1584703

<https://www.phoenixcontact.com/in/products/1584703>



CK2,5-ED-0,50F AG - Crimp contact

1273612

<https://www.phoenixcontact.com/in/products/1273612>



Crimp contact, contact diameter: 2.5 mm, turned, Socket, contact material: Copper alloy, lead-free, contact surface: silver-plated, connection cross section: 0.5 mm² ... 0.5 mm², AWG 20

CK2,5-ED-0,75F AG - Crimp contact

1273611

<https://www.phoenixcontact.com/in/products/1273611>



Crimp contact, contact diameter: 2.5 mm, turned, Socket, contact material: Copper alloy, lead-free, contact surface: silver-plated, connection cross section: 0.75 mm² ... 0.75 mm², AWG 18

HC-BB10-I-CT-F - Contact insert

1584703

<https://www.phoenixcontact.com/in/products/1584703>



CK2,5-ED-1,00F AG - Crimp contact

1273610

<https://www.phoenixcontact.com/in/products/1273610>



Crimp contact, contact diameter: 2.5 mm, turned, Socket, contact material: Copper alloy, lead-free, contact surface: silver-plated, connection cross section: 1 mm² ... 1 mm², AWG 18

CK2,5-ED-1,50F AG - Crimp contact

1273609

<https://www.phoenixcontact.com/in/products/1273609>



Crimp contact, contact diameter: 2.5 mm, turned, Socket, contact material: Copper alloy, lead-free, contact surface: silver-plated, connection cross section: 1.5 mm² ... 1.5 mm², AWG 16

HC-BB10-I-CT-F - Contact insert

1584703

<https://www.phoenixcontact.com/in/products/1584703>



CK2,5-ED-2,50F AG - Crimp contact

1273607

<https://www.phoenixcontact.com/in/products/1273607>



Crimp contact, contact diameter: 2.5 mm, turned, Socket, contact material: Copper alloy, lead-free, contact surface: silver-plated, connection cross section: 2.5 mm² ... 2.5 mm², AWG 14

CK2,5-ED-3,00F AG - Crimp contact

1273606

<https://www.phoenixcontact.com/in/products/1273606>



Crimp contact, contact diameter: 2.5 mm, turned, Socket, contact material: Copper alloy, lead-free, contact surface: silver-plated, connection cross section: 3 mm² ... 3 mm², AWG 12

HC-BB10-I-CT-F - Contact insert

1584703

<https://www.phoenixcontact.com/in/products/1584703>



CK2,5-ED-4,00F AG - Crimp contact

1273604

<https://www.phoenixcontact.com/in/products/1273604>



Crimp contact, contact diameter: 2.5 mm, turned, Socket, contact material: Copper alloy, lead-free, contact surface: silver-plated, connection cross section: 4 mm² ... 4 mm², AWG 12

CK2,5-ED-0,37BU AU - Crimp contact

1585647

<https://www.phoenixcontact.com/in/products/1585647>



Crimp contact, contact diameter: 2.5 mm, turned, Socket, contact material: Copper alloy, contact surface: gold-plated, connection cross section: 0.14 mm² ... 0.37 mm², AWG 22 ... 26

HC-BB10-I-CT-F - Contact insert

1584703

<https://www.phoenixcontact.com/in/products/1584703>



CK2,5-ED-0,50BU AU - Crimp contact

1674859

<https://www.phoenixcontact.com/in/products/1674859>



Crimp contact, contact diameter: 2.5 mm, turned, Socket, contact material: Copper alloy, contact surface: gold-plated, connection cross section: 0.5 mm² ... 0.5 mm², AWG 20

CK2,5-ED-1,00BU AU - Crimp contact

1674833

<https://www.phoenixcontact.com/in/products/1674833>



Crimp contact, contact diameter: 2.5 mm, turned, Socket, contact material: Copper alloy, contact surface: gold-plated, connection cross section: 1 mm² ... 1 mm², AWG 18

HC-BB10-I-CT-F - Contact insert

1584703

<https://www.phoenixcontact.com/in/products/1584703>



CK2,5-ED-1,50BU AU - Crimp contact

1674820

<https://www.phoenixcontact.com/in/products/1674820>



Crimp contact, contact diameter: 2.5 mm, turned, Socket, contact material: Copper alloy, contact surface: gold-plated, connection cross section: 1.5 mm² ... 1.5 mm², AWG 16

CK2,5-ED-2,50BU AU - Crimp contact

1674862

<https://www.phoenixcontact.com/in/products/1674862>



Crimp contact, contact diameter: 2.5 mm, turned, Socket, contact material: Copper alloy, contact surface: gold-plated, connection cross section: 2.5 mm² ... 2.5 mm², AWG 14

HC-BB10-I-CT-F - Contact insert

1584703

<https://www.phoenixcontact.com/in/products/1584703>



CK2,5-ED-4,00BU AU - Crimp contact

1674846

<https://www.phoenixcontact.com/in/products/1674846>



Crimp contact, contact diameter: 2.5 mm, turned, Socket, contact material: Copper alloy, contact surface: gold-plated, connection cross section: 4 mm² ... 4 mm², AWG 12

CK2,5-ED-0,37F AU - Crimp contact

1273567

<https://www.phoenixcontact.com/in/products/1273567>



Crimp contact, contact diameter: 2.5 mm, turned, Socket, contact material: Copper alloy, lead-free, contact surface: gold-plated, connection cross section: 0.14 mm² ... 0.37 mm², AWG 22 ... 26

HC-BB10-I-CT-F - Contact insert

1584703

<https://www.phoenixcontact.com/in/products/1584703>



CK2,5-ED-0,50F AU - Crimp contact

1273564

<https://www.phoenixcontact.com/in/products/1273564>



Crimp contact, contact diameter: 2.5 mm, turned, Socket, contact material: Copper alloy, lead-free, contact surface: gold-plated, connection cross section: 0.5 mm² ... 0.5 mm², AWG 20

CK2,5-ED-1,00F AU - Crimp contact

1271379

<https://www.phoenixcontact.com/in/products/1271379>



Crimp contact, contact diameter: 2.5 mm, turned, Socket, contact material: Copper alloy, lead-free, contact surface: gold-plated, connection cross section: 1 mm² ... 1 mm², AWG 18

HC-BB10-I-CT-F - Contact insert

1584703

<https://www.phoenixcontact.com/in/products/1584703>



CK2,5-ED-1,50F AU - Crimp contact

1271375

<https://www.phoenixcontact.com/in/products/1271375>



Crimp contact, contact diameter: 2.5 mm, turned, Socket, contact material: Copper alloy, lead-free, contact surface: gold-plated, connection cross section: 1.5 mm² ... 1.5 mm², AWG 16

CK2,5-ED-2,50F AU - Crimp contact

1271376

<https://www.phoenixcontact.com/in/products/1271376>



Crimp contact, contact diameter: 2.5 mm, turned, Socket, contact material: Copper alloy, lead-free, contact surface: gold-plated, connection cross section: 2.5 mm² ... 2.5 mm², AWG 14

HC-BB10-I-CT-F - Contact insert

1584703

<https://www.phoenixcontact.com/in/products/1584703>



CK2,5-ED-4,00F AU - Crimp contact

1271372

<https://www.phoenixcontact.com/in/products/1271372>



Crimp contact, contact diameter: 2.5 mm, turned, Socket, contact material: Copper alloy, lead-free, contact surface: gold-plated, connection cross section: 4 mm² ... 4 mm², AWG 12

HC-BB10-I-CT-M - Contact insert

1584774

<https://www.phoenixcontact.com/in/products/1584774>



Contact insert, number of positions: 10+PE, size: B6, number of connections per position: 1, Pin, Crimp connection, 500 V, 16 A, 0.5 mm² ... 4 mm²

HC-BB10-I-CT-F - Contact insert

1584703

<https://www.phoenixcontact.com/in/products/1584703>



UNIFOX MT-CK 1.6/2.5 - Assembly tool

1089092

<https://www.phoenixcontact.com/in/products/1089092>



Assembly tool, for CK 1.6... crimp contacts for small conductor cross sections

UNIFOX RT-CK 2.5 - Contact removal tool

1072067

<https://www.phoenixcontact.com/in/products/1072067>



Contact removal tool, for turned CK 2,5... contacts

Phoenix Contact 2024 © - all rights reserved
<https://www.phoenixcontact.com>

PHOENIX CONTACT (I) Pvt. Ltd.
A-58/2, Okhla Industrial Area, Phase - II, New Delhi-110 020

+91.1275.71420
info@phoenixcontact.co.in