

# HC-B 24-TFQ-H-M1PG21S - Housing



1460231

<https://www.phoenixcontact.com/in/products/1460231>

Please be informed that the data shown in this PDF document is generated from our online catalog. Please find the complete data in the user documentation. Our general terms of use for downloads are valid.



HEAVYCON B24 sleeve housing, for double locking latch, height: 76 mm, with 1 x Pg21 screw connection, lateral cable outlet

## Commercial data

Item number	1460231
Packing unit	10 pc
Minimum order quantity	10 pc
Note	Made to order (non-returnable)
Sales key	BF7
Product key	BF7AAC
GTIN	4046356794299
Weight per piece (including packing)	294.4 g
Weight per piece (excluding packing)	285.7 g
Customs tariff number	85389099
Country of origin	DE

# HC-B 24-TFQ-H-M1PG21S - Housing



1460231

<https://www.phoenixcontact.com/in/products/1460231>

## Technical data

### Notes

General	For contact inserts HC-B24, BB46, BBB64, D64, DD108, M
---------	--

### Product properties

Product type	Housing with locking latch
Housing type	Sleeve housing
Type	B24
No. of cable outlets	1
Type of the screw connection	1x Pg21
Cable outlet	lateral
Pg screw connection	with

### Material specifications

Seal material Cable seal	NBR
Housing material	Die-cast aluminum
Housing surface material	Powder-coated, gray
Material for screw connection	Brass

### Mechanical properties

#### Mechanical data

Type of the screw connection	1x Pg21
------------------------------	---------

### Environmental and real-life conditions

#### Ambient conditions

Degree of protection	IP65
Ambient temperature (operation)	-40 °C ... 125 °C

# HC-B 24-TFQ-H-M1PG21S - Housing

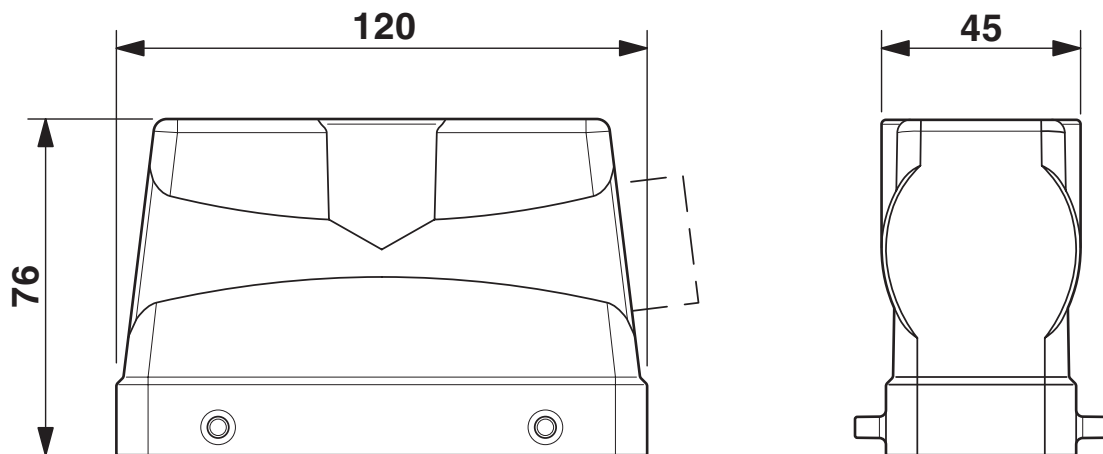
1460231

<https://www.phoenixcontact.com/in/products/1460231>



## Drawings

Dimensional drawing



Dimensional drawing

# HC-B 24-TFQ-H-M1PG21S - Housing



1460231

<https://www.phoenixcontact.com/in/products/1460231>

## Classifications

### ECLASS

ECLASS-11.0	27440202
ECLASS-13.0	27440202

### UNSPSC

UNSPSC 21.0	31261501
-------------	----------

# HC-B 24-TFQ-H-M1PG21S - Housing



1460231

<https://www.phoenixcontact.com/in/products/1460231>

## Environmental product compliance

### China RoHS

Environment friendly use period (EFUP)	EFUP-E
	No hazardous substances above the limits

### EU REACH SVHC

REACH candidate substance (CAS No.)	No substance above 0.1 wt%
-------------------------------------	----------------------------

Phoenix Contact 2024 © - all rights reserved  
<https://www.phoenixcontact.com>

PHOENIX CONTACT (I) Pvt. Ltd.  
A-58/2, Okhla Industrial Area, Phase - II, New Delhi-110 020

+91.1275.71420  
[info@phoenixcontact.co.in](mailto:info@phoenixcontact.co.in)