

SACC-CI-M12MS-5CON-L90 SH SCO - Flush-type connector



1439890

<https://www.phoenixcontact.com/in/products/1439890>

Please be informed that the data shown in this PDF document is generated from our Online Catalog. Please find the complete data in the user documentation. Our General Terms of Use for Downloads are valid.



Flush-type connector, 5-position, Plug, straight, M12, coding: A , PCB mounting, Solder pins, Alternative product in accordance with RoHS II without Exemption 6c (Pb <0.1%) item no.: 1239692

Your advantages

- Reduced mounting costs thanks to two-piece device connector
- All common pin assignments and codings available
- Easy device integration thanks to mechanical port screw connections with threaded attachment, press-in contour or direct integration in the front plate
- Additional gasket for the device when not plugged in

Commercial Data

Item number	1439890
Packing unit	20 pc
Minimum order quantity	20 pc
Sales Key	ABQ
Product Key	ABQCAC
Catalog Page	Page 252 (C-2-2013)
GTIN	4046356476621
Weight per Piece (including packing)	5.26 g
Weight per Piece (excluding packing)	4.845 g
Customs tariff number	85366990
Country of origin	DE

SACC-CI-M12MS-5CON-L90 SH SCO - Flush-type connector



1439890

<https://www.phoenixcontact.com/in/products/1439890>

Technical Data

Notes

General	The electrical and mechanical data specified assume that the connector pair is correctly locked and mounted. If the connector is unlocked and if there is a danger of contamination, the connector must be sealed using a protective cap > IP54. Influences arising from litz wires, cables or PCB assembly must also be taken into consideration.
---------	--

Product properties

Product type	Contact insert
Number of positions	5
Shielded	yes
Coding	A
Thread type	M12

Insulation characteristics

Overvoltage category	III
Degree of pollution	3

Electrical properties

Rated surge voltage	1.5 kV
Contact resistance	$\leq 3 \text{ m}\Omega$
Insulation resistance	$\geq 100 \text{ M}\Omega$
Nominal voltage U_N	60 V
Nominal current I_N	4 A

Signaling

Status display	No
Status display present	No

Material specifications

Flammability rating according to UL 94	V0
Seal material	FKM / EPDM
Contact material	CuZn
Contact surface material	Au
Contact carrier material	PA 6.6

Connector

Connection 1

Head design	Plug
Head cable outlet	straight
Head thread type	M12
Coding	A

SACC-CI-M12MS-5CON-L90 SH SCO - Flush-type connector



1439890

<https://www.phoenixcontact.com/in/products/1439890>

Mechanical properties

Mechanical data

Insertion/withdrawal cycles	> 100
-----------------------------	-------

Environmental and real-life conditions

Ambient conditions

Degree of protection	IP67
	IP67
Ambient temperature (operation)	-25 °C ... 85 °C (Plug / socket)
	-40 °C ... 85 °C (without mechanical actuation)

Standards and regulations

M12

Standards/specifications	IEC 61076-2-101
--------------------------	-----------------

Mounting

Mounting type	PCB mounting
Connection method	Solder pins

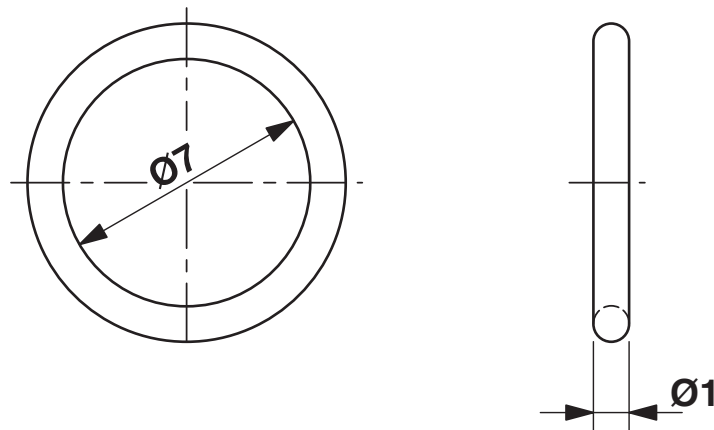
SACC-CI-M12MS-5CON-L90 SH SCO - Flush-type connector

1439890

<https://www.phoenixcontact.com/in/products/1439890>

Drawings

Dimensional drawing

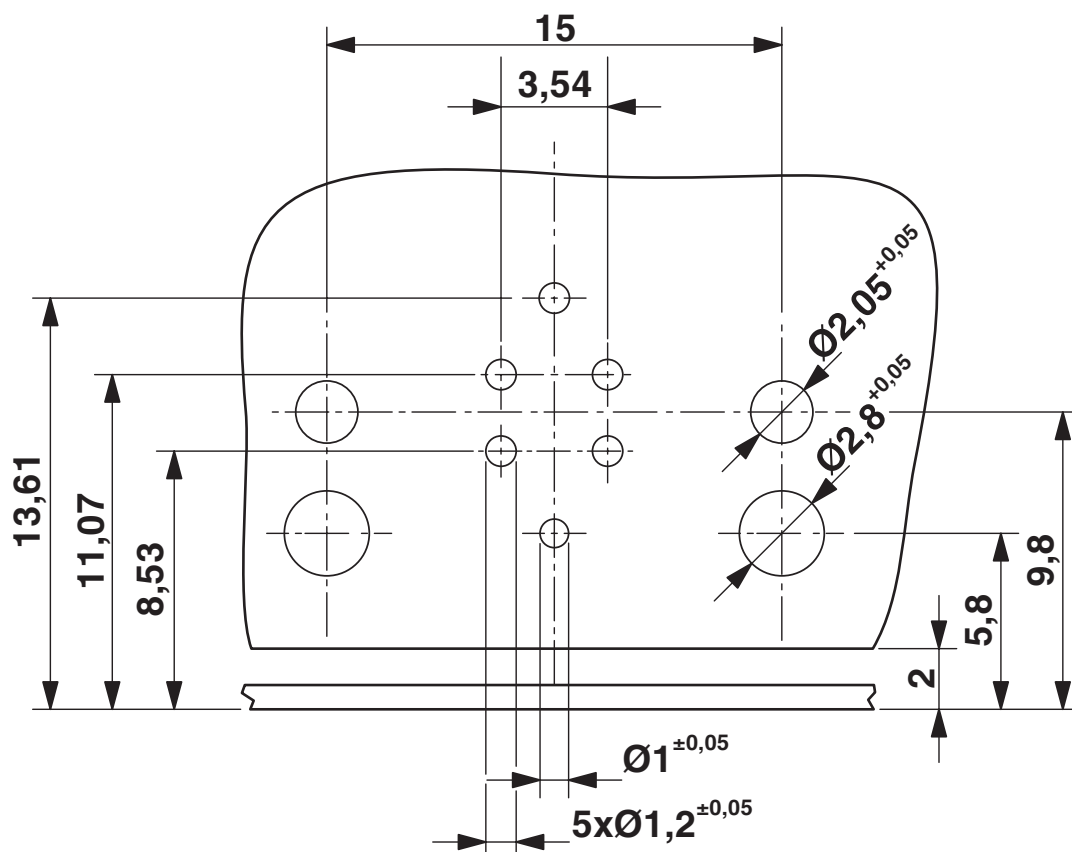


Optionally with O-ring (green) for tight seal when plugged in.

- the axial mating force of 80 N per connector may not be exceeded when using with assembled O-ring!

- Avoid radial forces!

Drilling plan/solder pad geometry



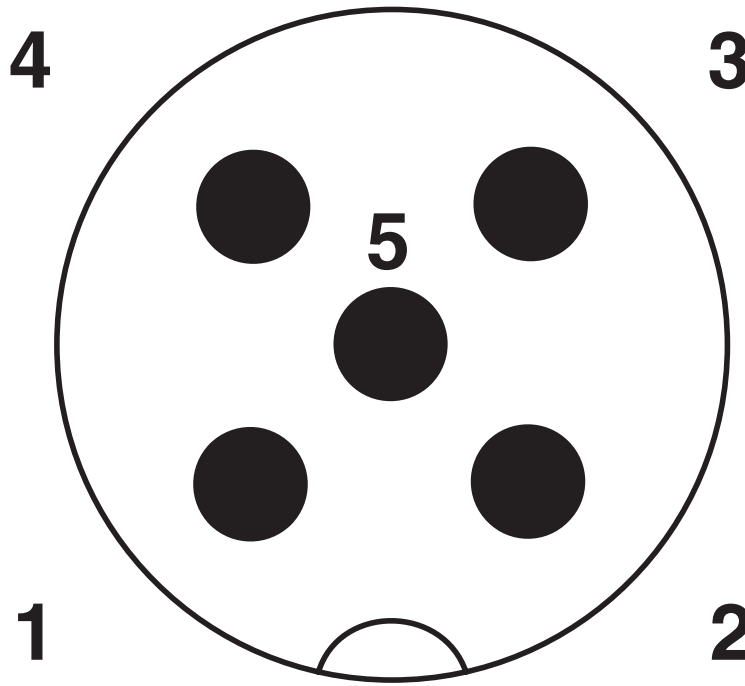
Drilling diagram only valid in connection with the SACC-M12-SCO PLUG L90 housing (Item No. 1436709)

SACC-CI-M12MS-5CON-L90 SH SCO - Flush-type connector

1439890

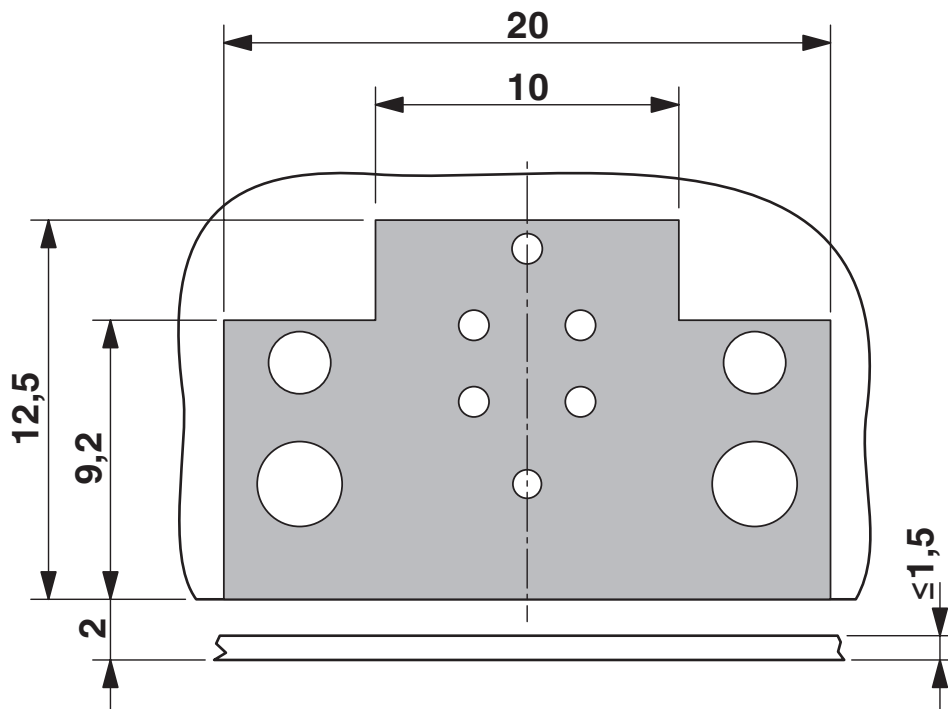
<https://www.phoenixcontact.com/in/products/1439890>

Schematic diagram



Pin assignment M12 male connector, 5-pos., A-coded, male side

Dimensional drawing



Locked area on the PCB

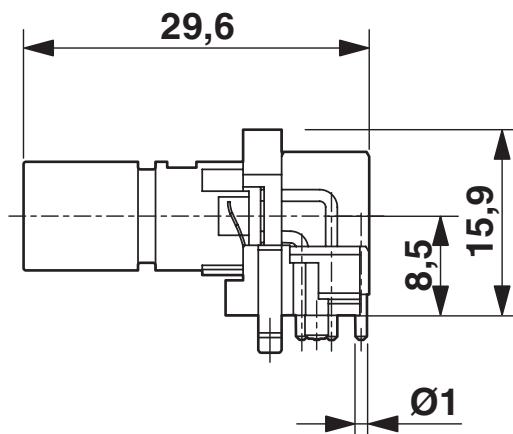
SACC-CI-M12MS-5CON-L90 SH SCO - Flush-type connector



1439890

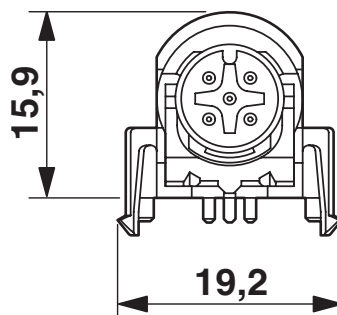
<https://www.phoenixcontact.com/in/products/1439890>

Dimensional drawing



Dimensional drawing, side view

Dimensional drawing



Dimensional drawing, front view


SACC-CI-M12MS-5CON-L90 SH SCO - Flush-type connector



1439890

<https://www.phoenixcontact.com/in/products/1439890>

Approvals

 UL Recognized Approval ID: E118976-20100522	Nominal Voltage U_N	Nominal Current I_N	Cross Section AWG	Cross Section mm^2
	60 V	4 A	- 22	-

 EAC Approval ID: B.01687
--

SACC-CI-M12MS-5CON-L90 SH SCO - Flush-type connector



1439890

<https://www.phoenixcontact.com/in/products/1439890>

Classifications

ECLASS

ECLASS-11.0	27440102
ECLASS-12.0	27440116
ECLASS-13.0	27440116

ETIM

ETIM 8.0	EC002635
----------	----------

UNSPSC

UNSPSC 21.0	39121400
-------------	----------

SACC-CI-M12MS-5CON-L90 SH SCO - Flush-type connector



1439890

<https://www.phoenixcontact.com/in/products/1439890>

Environmental Product Compliance

REACH SVHC	Lead 7439-92-1
China RoHS	Environmentally Friendly Use Period = 50 years
	For information on hazardous substances, refer to the manufacturer's declaration available under "Downloads"

SACC-CI-M12MS-5CON-L90 SH SCO - Flush-type connector



1439890

<https://www.phoenixcontact.com/in/products/1439890>

Accessories

PROT-M12 FS - Sealing cap

1560251

<https://www.phoenixcontact.com/in/products/1560251>



M12 sealing cap for unoccupied M12 plugs of the sensor/actuator cable, flush-type plugs and I/O devices in the field

PROT-M12 FS-M - Sealing cap

1430488

<https://www.phoenixcontact.com/in/products/1430488>



M12 metal sealing cap for unoccupied M12 plugs of the sensor/actuator cable, flush-type plugs and I/O devices in the field

SACC-CI-M12MS-5CON-L90 SH SCO - Flush-type connector



1439890

<https://www.phoenixcontact.com/in/products/1439890>

SACC-DSIV-M12MS-SEAL - Sealing ring

1405751

<https://www.phoenixcontact.com/in/products/1405751>

Sealing ring, color: green



SACC-M12-SCO PLUG - Housing screw connection

1551493

<https://www.phoenixcontact.com/in/products/1551493>



Housing screw connection, Plug, M12-SPEEDCON, Front mounting, M12 x 1, Alternative product in accordance with RoHS II without Exemption 6c (Pb <0.1%) item no.: 1237430

SACC-CI-M12MS-5CON-L90 SH SCO - Flush-type connector



1439890

<https://www.phoenixcontact.com/in/products/1439890>

SACC-DSIV-M12-PLUG - Housing screw connection

1416145

<https://www.phoenixcontact.com/in/products/1416145>



Housing screw connection, Plug, M12, Front mounting, Alternative product in accordance with RoHS II without Exemption 6c (Pb <0.1%) item no.: 1239108

SACC-M12-SCO PLUG L90 - Housing screw connection

1436709

<https://www.phoenixcontact.com/in/products/1436709>



Housing screw connection, Front mounting, M12 x 1, Alternative product in accordance with RoHS II without Exemption 6c (Pb <0.1%) item no.: 1239632

SACC-CI-M12MS-5CON-L90 SH SCO - Flush-type connector

1439890

<https://www.phoenixcontact.com/in/products/1439890>

SACC-BP-M-M12/M15-6-THR - Housing screw connection

1413997

<https://www.phoenixcontact.com/in/products/1413997>



Housing screw connection, Plug, M12, Rear mounting, M15 x 1, Alternative product in accordance with RoHS II without Exemption 6c (Pb <0.1%) item no.: 1239050

SACC-BP-M-M12/M15-7-THR - Housing screw connection

1413996

<https://www.phoenixcontact.com/in/products/1413996>



Housing screw connection, Plug, M12, Rear mounting, M15 x 1, Alternative product in accordance with RoHS II without Exemption 6c (Pb <0.1%) item no.: 1239049

SACC-CI-M12MS-5CON-L90 SH SCO - Flush-type connector

1439890

<https://www.phoenixcontact.com/in/products/1439890>

SACC-BP-M-M12/M15-6-THR SCO - Housing screw connection

1413999

<https://www.phoenixcontact.com/in/products/1413999>



Housing screw connection, Plug, M12-SPEEDCON, Rear mounting, M15 x 1, Alternative product in accordance with RoHS II without Exemption 6c (Pb <0.1%) item no.: 1239052

SACC-BP-M-M12/M15-7-THR SCO - Housing screw connection

1413998

<https://www.phoenixcontact.com/in/products/1413998>



Housing screw connection, Plug, M12-SPEEDCON, Rear mounting, M15 x 1, Alternative product in accordance with RoHS II without Exemption 6c (Pb <0.1%) item no.: 1239051

SACC-CI-M12MS-5CON-L90 SH SCO - Flush-type connector



1439890

<https://www.phoenixcontact.com/in/products/1439890>

SACC-M12 PLUG PRESS - Housing screw connection

1437892

<https://www.phoenixcontact.com/in/products/1437892>



Housing screw connection, Plug, M12, Front mounting, THR solder connection, Alternative product in accordance with RoHS II without Exemption 6c (Pb <0.1%) item no.: 1239688

SACC-DSIV-M12-PLUG-9 THR - Housing screw connection

1417984

<https://www.phoenixcontact.com/in/products/1417984>



Housing screw connection, Plug, M12, Front mounting, M14 x 1, Alternative product in accordance with RoHS II without Exemption 6c (Pb <0.1%) item no.: 1239180

SACC-CI-M12MS-5CON-L90 SH SCO - Flush-type connector



1439890

<https://www.phoenixcontact.com/in/products/1439890>

SACC-BP-M-M12-THR PP - Housing screw connection

1027661

<https://www.phoenixcontact.com/in/products/1027661>



Housing screw connection, Plug, M12-Push-Pull, Rear mounting, M15 x 1, THR- und Wellenlötkontakte, Item is lead-free in accordance with RoHS II without Exemption 6c (Pb <0.1%)

SACC-FP-M-M12-THR PP - Housing screw connection

1027679

<https://www.phoenixcontact.com/in/products/1027679>



Housing screw connection, Plug, M12-Push-Pull, Front mounting, THR- und Wellenlötkontakte, Item is lead-free in accordance with RoHS II without Exemption 6c (Pb <0.1%)

Phoenix Contact 2023 © - all rights reserved
<https://www.phoenixcontact.com>

PHOENIX CONTACT (I) Pvt. Ltd.
A-58/2, Okhla Industrial Area, Phase - II, New Delhi-110 020

+91.1275.71420
info@phoenixcontact.co.in