

HC-STA-B48-BWS-EMC-AL - Housing



1424863

<https://www.phoenixcontact.com/in/products/1424863>

Please be informed that the data shown in this PDF document is generated from our online catalog. Please find the complete data in the user documentation. Our general terms of use for downloads are valid.



Panel mounting base B48, with single locking latch, material: Die-cast aluminum, salt water resistant, height: 39.4 mm, cable gland: none, Standard, with flat gasket

Your advantages

- Good shielding in the event of electromagnetic interference

Commercial data

Item number	1424863
Packing unit	1 pc
Minimum order quantity	1 pc
Sales key	BF7
Product key	BF7APB
Catalog page	Page 645 (C-2-2019)
GTIN	4055626382685
Weight per piece (including packing)	465 g
Weight per piece (excluding packing)	338 g
Customs tariff number	85389099
Country of origin	CN

HC-STA-B48-BWS-EMC-AL - Housing

1424863

<https://www.phoenixcontact.com/in/products/1424863>

Technical data

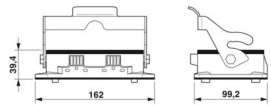
Product properties

Product type	Housing with locking latch
Housing type	Panel mounting base
Application	Standard
Type	B48
Pg screw connection	none

Data management status

Article revision	04
------------------	----

Dimensions

Dimensional drawing	
Width	99.2 mm
Height	39.4 mm
Length	162 mm
Drill hole distance, horizontal	148 mm
Drill hole distance, vertical	70 mm
Hole diameter	6.5 mm

Installation dimensions

Width of the assembly cutout	81 mm
Length of the assembly cutout	117 mm

Material specifications

Flammability rating according to UL 94	V0 (Interlock)
Seal material	NBR, conductive NBR, conductive
Housing material	Die-cast aluminum, salt water resistant
Housing surface material	uncoated
Locking latch material	Stainless steel

Mechanical properties

Mechanical data

Locking type	Latch
--------------	-------

Connection data

Tightening torque	3 Nm ... 5 Nm (For M6 mounting screws on the panel-mount base)
-------------------	--

HC-STA-B48-BWS-EMC-AL - Housing



1424863

<https://www.phoenixcontact.com/in/products/1424863>

Environmental and real-life conditions

Ambient conditions

Degree of protection	IP66
	IP67
Enclosure rating (NEMA)	4 (UL 50e)
	4X (UL 50e)
	12 (UL 50e)
Impact strength	IK08
Ambient temperature (operation)	-40 °C ... 125 °C

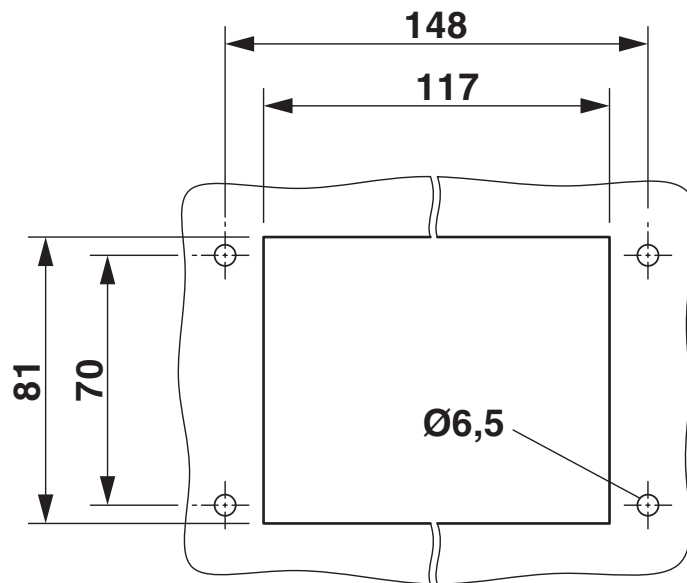
HC-STA-B48-BWS-EMC-AL - Housing

1424863

<https://www.phoenixcontact.com/in/products/1424863>

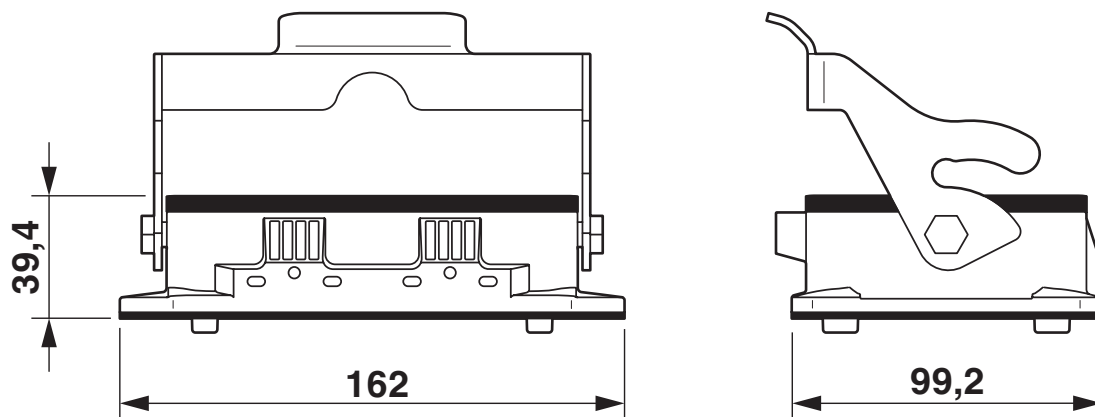
Drawings

Dimensional drawing



Mounting cutout

Dimensional drawing



Dimensional drawing

1424863

<https://www.phoenixcontact.com/in/products/1424863>

Approvals

To download certificates, visit the product detail page: <https://www.phoenixcontact.com/in/products/1424863>

DNV

Approval ID: TAE000037S



EAC

Approval ID: RU C-DE.BL08.B.00511



cUL Recognized

Approval ID: E255026



UL Recognized

Approval ID: E255026

cULus Recognized

HC-STA-B48-BWS-EMC-AL - Housing



1424863

<https://www.phoenixcontact.com/in/products/1424863>

Classifications

ECLASS

ECLASS-11.0	27440202
ECLASS-12.0	27440202
ECLASS-13.0	27440202

ETIM

ETIM 9.0	EC000437
----------	----------

UNSPSC

UNSPSC 21.0	31261500
-------------	----------

HC-STA-B48-BWS-EMC-AL - Housing



1424863

<https://www.phoenixcontact.com/in/products/1424863>

Environmental product compliance

EU RoHS

Fulfills EU RoHS substance requirements	Yes, No exemptions
---	--------------------

China RoHS

Environment friendly use period (EFUP)	EFUP-E
	No hazardous substances above the limits

EU REACH SVHC

REACH candidate substance (CAS No.)	No substance above 0.1 wt%
-------------------------------------	----------------------------

HC-STA-B48-BWS-EMC-AL - Housing



1424863

<https://www.phoenixcontact.com/in/products/1424863>

Accessories

US-EMLP (20X9) CUS - Plastic label

0830085

<https://www.phoenixcontact.com/in/products/0830085>

Plastic label, Card, can be ordered: by card, white, labeled according to customer specifications, mounting type: adhesive, lettering field size: 20 x 9 mm, Number of individual labels: 75



US-EMLP-HA (20X9) - Plastic label

0830989

<https://www.phoenixcontact.com/in/products/0830989>

Plastic label, Card, white, unlabeled, can be labeled with: BLUEMARK ID COLOR, BLUEMARK ID, THERMOMARK PRIME, THERMOMARK CARD 2.0, THERMOMARK CARD, mounting type: adhesive, lettering field size: 20 x 9 mm, Number of individual labels: 70



Phoenix Contact 2024 © - all rights reserved

<https://www.phoenixcontact.com>

PHOENIX CONTACT (I) Pvt. Ltd.

A-58/2, Okhla Industrial Area, Phase - II, New Delhi-110 020

+91.1275.71420

info@phoenixcontact.co.in