

# HC-STA-B32-HHFD-1STM40-EL-AL - Housing



1424837

<https://www.phoenixcontact.com/in/products/1424837>

Please be informed that the data shown in this PDF document is generated from our online catalog. Please find the complete data in the user documentation. Our general terms of use for downloads are valid.



Sleeve housing B32, for double locking latch, material: Die-cast aluminum, salt water resistant, cable outlets: 1, lateral, 1x M40, height: 94 mm, cable gland: none, Standard

## Your advantages

- Good shielding in the event of electromagnetic interference

## Commercial data

Item number	1424837
Packing unit	1 pc
Minimum order quantity	1 pc
Sales key	BF7
Product key	BF7APB
Catalog page	Page 644 (C-2-2019)
GTIN	4055626382425
Weight per piece (including packing)	437.1 g
Weight per piece (excluding packing)	437.1 g
Customs tariff number	85389099
Country of origin	CN

# HC-STA-B32-HHFD-1STM40-EL-AL - Housing



1424837

<https://www.phoenixcontact.com/in/products/1424837>

## Technical data

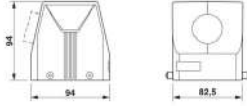
### Product properties

Product type	Housing with locking latch
Housing type	Sleeve housing
Application	Standard
Type	B32
No. of cable outlets	1
Type of the screw connection	1x M40
Type	Tall design
Cable outlet	lateral
Pg screw connection	none

### Data management status

Article revision	01
------------------	----

### Dimensions

Dimensional drawing	
Width	82.5 mm
Height	94 mm
Length	94 mm

### Material specifications

Housing material	Die-cast aluminum, salt water resistant
Housing surface material	uncoated

### Mechanical properties

#### Mechanical data

Type of the screw connection	1x M40
Locking type	Pin

### Environmental and real-life conditions

#### Ambient conditions

Degree of protection	IP66
	IP67
Enclosure rating (NEMA)	4 (UL 50e)
	4X (UL 50e)
	12 (UL 50e)
Impact strength	IK09

# HC-STA-B32-HHFD-1STM40-EL-AL - Housing



1424837

<https://www.phoenixcontact.com/in/products/1424837>

Ambient temperature (operation)

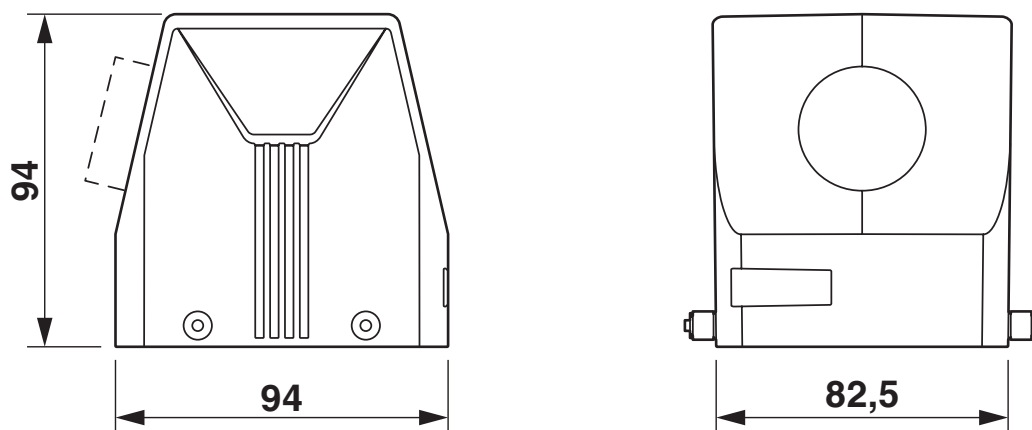
-40 °C ... 125 °C

1424837

<https://www.phoenixcontact.com/in/products/1424837>

## Drawings

Dimensional drawing



Dimensional drawing

1424837

<https://www.phoenixcontact.com/in/products/1424837>

## Approvals

🔗 To download certificates, visit the product detail page: <https://www.phoenixcontact.com/in/products/1424837>

**DNV**

Approval ID: TAE000037S



**cUL Recognized**

Approval ID: E255026



**UL Recognized**

Approval ID: E255026



**EAC**

Approval ID: RU C-DE.BL08.B.00511

**cULus Recognized**

1424837

<https://www.phoenixcontact.com/in/products/1424837>

## Classifications

### ECLASS

ECLASS-11.0	27440202
ECLASS-12.0	27440202
ECLASS-13.0	27440202

### ETIM

ETIM 9.0	EC000437
----------	----------

### UNSPSC

UNSPSC 21.0	31261500
-------------	----------

1424837

<https://www.phoenixcontact.com/in/products/1424837>

## Environmental product compliance

### EU RoHS

Fulfills EU RoHS substance requirements	Yes, No exemptions
---	--------------------

### China RoHS

Environment friendly use period (EFUP)	EFUP-E
	No hazardous substances above the limits

### EU REACH SVHC

REACH candidate substance (CAS No.)	No substance above 0.1 wt%
-------------------------------------	----------------------------

# HC-STA-B32-HHFD-1STM40-EL-AL - Housing



1424837

<https://www.phoenixcontact.com/in/products/1424837>

## Accessories

### HC-B32-HCWD-PLR-BK - Protective cover

1346555

<https://www.phoenixcontact.com/in/products/1346555>

Protective cover B32, with double locking latch, protective cover material: PC, height: 26.4 mm, seal: yes



---

### US-EMLP (20X9) CUS - Plastic label

0830085

<https://www.phoenixcontact.com/in/products/0830085>

Plastic label, Card, can be ordered: by card, white, labeled according to customer specifications, mounting type: adhesive, lettering field size: 20 x 9 mm, Number of individual labels: 75





# HC-STA-B32-HHFD-1STM40-EL-AL - Housing



1424837

<https://www.phoenixcontact.com/in/products/1424837>

## US-EMLP-HA (20X9) - Plastic label

0830989

<https://www.phoenixcontact.com/in/products/0830989>



Plastic label, Card, white, unlabeled, can be labeled with: BLUEMARK ID COLOR, BLUEMARK ID, THERMOMARK PRIME, THERMOMARK CARD 2.0, THERMOMARK CARD, mounting type: adhesive, lettering field size: 20 x 9 mm, Number of individual labels: 70

---

## WP-G HF IP66 M40 BK - Screw connection

3240901

<https://www.phoenixcontact.com/in/products/3240901>



Cable gland, metric thread, IP66 protection, straight

# HC-STA-B32-HHFD-1STM40-EL-AL - Housing

1424837

<https://www.phoenixcontact.com/in/products/1424837>

WP-G HF IP69K M40 BK - Screw connection

3240887

<https://www.phoenixcontact.com/in/products/3240887>



Cable gland, metric thread, IP68/69k protection, straight

---

WP-GA HF IP66 M40 BK - Screw connection

3240929

<https://www.phoenixcontact.com/in/products/3240929>



Cable gland, metric thread, IP66 protection, angled

# HC-STA-B32-HHFD-1STM40-EL-AL - Housing

1424837

<https://www.phoenixcontact.com/in/products/1424837>



## WP-GA HF IP69K M40 BK - Screw connection

3240915

<https://www.phoenixcontact.com/in/products/3240915>

Cable gland, metric thread, IP68/69k protection, angled



---

## WP-GR HF IP66 M40 BK - Screw connection

3240957

<https://www.phoenixcontact.com/in/products/3240957>

Cable gland, metric thread, IP66 protection, with strain relief



# HC-STA-B32-HHFD-1STM40-EL-AL - Housing

1424837

<https://www.phoenixcontact.com/in/products/1424837>



## WP-GR HF IP69K M40 BK - Screw connection

3240943

<https://www.phoenixcontact.com/in/products/3240943>



Cable gland, metric thread, IP68/69k protection, with strain relief

---

## WP-G PP HF M40 - Screw connection

3241001

<https://www.phoenixcontact.com/in/products/3241001>



Cable gland made from PP with metric thread, IP65 protection

# HC-STA-B32-HHFD-1STM40-EL-AL - Housing

1424837

<https://www.phoenixcontact.com/in/products/1424837>

## WP-GT PP HF M40 - Screw connection

3241015

<https://www.phoenixcontact.com/in/products/3241015>



Cable gland made from PP with metric thread, rotatable, IP54 protection

---

## WP-G BRASS IP40 M40 - Screw connection

3241050

<https://www.phoenixcontact.com/in/products/3241050>



Cable gland made from brass with metric thread, IP40 protection

# HC-STA-B32-HHFD-1STM40-EL-AL - Housing



1424837

<https://www.phoenixcontact.com/in/products/1424837>

## WP-GT BRASS M40 - Screw connection

3241036

<https://www.phoenixcontact.com/in/products/3241036>

Cable gland made from brass with metric thread, rotatable, IP40 protection



---

## WP-G BRASS IP65 M40 - Screw connection

3241064

<https://www.phoenixcontact.com/in/products/3241064>

Cable gland made from brass with metric thread, IP65 protection



---

Phoenix Contact 2024 © - all rights reserved  
<https://www.phoenixcontact.com>

PHOENIX CONTACT (I) Pvt. Ltd.  
A-58/2, Okhla Industrial Area, Phase - II, New Delhi-110 020

+91.1275.71420  
[info@phoenixcontact.co.in](mailto:info@phoenixcontact.co.in)