

HC-STA-B32-HHFD-1STM32-EL-AL - Housing



1424836

<https://www.phoenixcontact.com/in/products/1424836>

Please be informed that the data shown in this PDF document is generated from our online catalog. Please find the complete data in the user documentation. Our general terms of use for downloads are valid.



Sleeve housing B32, for double locking latch, material: Die-cast aluminum, salt water resistant, cable outlets: 1, lateral, 1x M32, height: 94 mm, cable gland: none, Standard

Your advantages

- Good shielding in the event of electromagnetic interference

Commercial data

Item number	1424836
Packing unit	1 pc
Minimum order quantity	1 pc
Sales key	BF7
Product key	BF7APB
Catalog page	Page 644 (C-2-2019)
GTIN	4055626382418
Weight per piece (including packing)	439.6 g
Weight per piece (excluding packing)	425.6 g
Customs tariff number	85389099
Country of origin	CN

1424836

<https://www.phoenixcontact.com/in/products/1424836>

Technical data

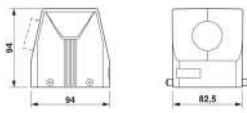
Product properties

Product type	Housing with locking latch
Housing type	Sleeve housing
Application	Standard
Type	B32
No. of cable outlets	1
Type of the screw connection	1x M32
Type	Tall design
Cable outlet	lateral
Pg screw connection	none

Data management status

Article revision	01
------------------	----

Dimensions

Dimensional drawing	
Width	82.5 mm
Height	94 mm
Length	94 mm

Material specifications

Housing material	Die-cast aluminum, salt water resistant
Housing surface material	uncoated

Mechanical properties

Mechanical data

Type of the screw connection	1x M32
Locking type	Pin

Environmental and real-life conditions

Ambient conditions

Degree of protection	IP66
	IP67
Enclosure rating (NEMA)	4 (UL 50e)
	4X (UL 50e)
	12 (UL 50e)
Impact strength	IK09

HC-STA-B32-HHFD-1STM32-EL-AL - Housing



1424836

<https://www.phoenixcontact.com/in/products/1424836>

Ambient temperature (operation)

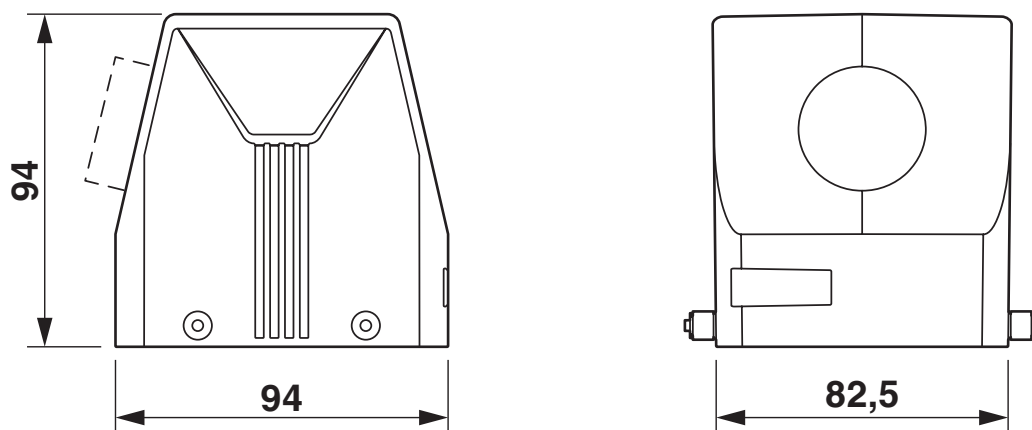
-40 °C ... 125 °C

1424836

<https://www.phoenixcontact.com/in/products/1424836>

Drawings

Dimensional drawing



Dimensional drawing

1424836

<https://www.phoenixcontact.com/in/products/1424836>

Approvals

🔗 To download certificates, visit the product detail page: <https://www.phoenixcontact.com/in/products/1424836>

DNV

Approval ID: TAE000037S



cUL Recognized

Approval ID: E255026



UL Recognized

Approval ID: E255026



EAC

Approval ID: RU C-DE.BL08.B.00511

cULus Recognized

1424836

<https://www.phoenixcontact.com/in/products/1424836>

Classifications

ECLASS

ECLASS-11.0	27440202
ECLASS-12.0	27440202
ECLASS-13.0	27440202

ETIM

ETIM 9.0	EC000437
----------	----------

UNSPSC

UNSPSC 21.0	31261500
-------------	----------

1424836

<https://www.phoenixcontact.com/in/products/1424836>

Environmental product compliance

EU RoHS

Fulfills EU RoHS substance requirements	Yes, No exemptions
---	--------------------

China RoHS

Environment friendly use period (EFUP)	EFUP-E
	No hazardous substances above the limits

EU REACH SVHC

REACH candidate substance (CAS No.)	No substance above 0.1 wt%
-------------------------------------	----------------------------

HC-STA-B32-HHFD-1STM32-EL-AL - Housing



1424836

<https://www.phoenixcontact.com/in/products/1424836>

Accessories

HC-B32-HCWD-PLR-BK - Protective cover

1346555

<https://www.phoenixcontact.com/in/products/1346555>



Protective cover B32, with double locking latch, protective cover material: PC, height: 26.4 mm, seal: yes

US-EMLP (20X9) CUS - Plastic label

0830085

<https://www.phoenixcontact.com/in/products/0830085>



Plastic label, Card, can be ordered: by card, white, labeled according to customer specifications, mounting type: adhesive, lettering field size: 20 x 9 mm, Number of individual labels: 75

HC-STA-B32-HHFD-1STM32-EL-AL - Housing



1424836

<https://www.phoenixcontact.com/in/products/1424836>

US-EMLP-HA (20X9) - Plastic label

0830989

<https://www.phoenixcontact.com/in/products/0830989>



Plastic label, Card, white, unlabeled, can be labeled with: BLUEMARK ID COLOR, BLUEMARK ID, THERMOMARK PRIME, THERMOMARK CARD 2.0, THERMOMARK CARD, mounting type: adhesive, lettering field size: 20 x 9 mm, Number of individual labels: 70

WP-G HF IP66 M32 BK - Screw connection

3240900

<https://www.phoenixcontact.com/in/products/3240900>



Cable gland, metric thread, IP66 protection, straight

HC-STA-B32-HHFD-1STM32-EL-AL - Housing

1424836

<https://www.phoenixcontact.com/in/products/1424836>

WP-G HF IP69K M32 BK - Screw connection

3240886

<https://www.phoenixcontact.com/in/products/3240886>



Cable gland, metric thread, IP68/69k protection, straight

WP-GA HF IP66 M32 BK - Screw connection

3240928

<https://www.phoenixcontact.com/in/products/3240928>



Cable gland, metric thread, IP66 protection, angled

HC-STA-B32-HHFD-1STM32-EL-AL - Housing

1424836

<https://www.phoenixcontact.com/in/products/1424836>

WP-GA HF IP69K M32 BK - Screw connection

3240914

<https://www.phoenixcontact.com/in/products/3240914>

Cable gland, metric thread, IP68/69k protection, angled



WP-GR HF IP66 M32 BK - Screw connection

3240956

<https://www.phoenixcontact.com/in/products/3240956>

Cable gland, metric thread, IP66 protection, with strain relief



HC-STA-B32-HHFD-1STM32-EL-AL - Housing

1424836

<https://www.phoenixcontact.com/in/products/1424836>

WP-GR HF IP69K M32 BK - Screw connection

3240942

<https://www.phoenixcontact.com/in/products/3240942>



Cable gland, metric thread, IP68/69k protection, with strain relief

WP-G PP HF M32 - Screw connection

3241000

<https://www.phoenixcontact.com/in/products/3241000>



Cable gland made from PP with metric thread, IP65 protection

HC-STA-B32-HHFD-1STM32-EL-AL - Housing

1424836

<https://www.phoenixcontact.com/in/products/1424836>

WP-GT PP HF M32 - Screw connection

3241014

<https://www.phoenixcontact.com/in/products/3241014>



Cable gland made from PP with metric thread, rotatable, IP54 protection

WP-G BRASS IP40 M32 - Screw connection

3241049

<https://www.phoenixcontact.com/in/products/3241049>



Cable gland made from brass with metric thread, IP40 protection

HC-STA-B32-HHFD-1STM32-EL-AL - Housing



1424836

<https://www.phoenixcontact.com/in/products/1424836>

WP-GT BRASS M32 - Screw connection

3241035

<https://www.phoenixcontact.com/in/products/3241035>

Cable gland made from brass with metric thread, rotatable, IP40 protection



WP-G BRASS IP65 M32 - Screw connection

3241063

<https://www.phoenixcontact.com/in/products/3241063>

Cable gland made from brass with metric thread, IP65 protection



Phoenix Contact 2024 © - all rights reserved
<https://www.phoenixcontact.com>

PHOENIX CONTACT (I) Pvt. Ltd.
A-58/2, Okhla Industrial Area, Phase - II, New Delhi-110 020

+91.1275.71420
info@phoenixcontact.co.in