

SACC-M12MS-4PL M - Connector



1424657

<https://www.phoenixcontact.com/in/products/1424657>

Please be informed that the data shown in this PDF document is generated from our Online Catalog. Please find the complete data in the user documentation. Our General Terms of Use for Downloads are valid.



Connector, Universal, 4-position, unshielded, Plug straight M12, A, Push-lock spring connection, knurl material: Zinc die-cast, nickel-plated, external cable diameter 4 mm ... 8 mm

Your advantages

- Time-saving Push-Lock connection: Tool-free connection and disconnection of conductors by opening the contact levers
- Intuitive connection: Easy assignment of individual litz wires with color-coded and numerical identification of the contact levers
- Integrated Push-in Technology: Wire rigid and pretreated conductors easily by means of simple, direct insertion
- Shock- and vibration-resistant connection: Proven spring-cage technology guarantees secure and reliable contacting

Commercial Data

Item number	1424657
Packing unit	1 pc
Minimum order quantity	1 pc
Sales Key	BF2
Product Key	BF2CEA
Catalog Page	Page 19 (C-2-2019)
GTIN	4055626375847
Weight per Piece (including packing)	20.7 g
Weight per Piece (excluding packing)	20 g
Customs tariff number	85366990
Country of origin	DE

SACC-M12MS-4PL M - Connector



1424657

<https://www.phoenixcontact.com/in/products/1424657>

Technical Data

Notes

General	NOTE: Observe the permissible bending radii when laying conductors, since the degree of protection may be put in jeopardy if the bending forces are too high. Alleviate mechanical loads upstream of the connector, e.g. by using cable ties.
---------	--

Mounting

Assembly instructions	The wires can be connected both with ferrules and without ferrules
Connection method	Push-lock spring connection

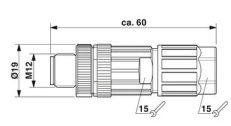
Product properties

Product type	Circular connector (cable-side)
Number of positions	4
Sensor type	Universal
No. of cable outlets	1
Shielded	no
Coding	A
Cable outlet	straight

Insulation characteristics

Overvoltage category	II
Degree of pollution	3

Dimensions

Dimensional drawing	
Length	60 mm

External dimensions

Outside diameter	4 mm ... 8 mm
------------------	---------------

Housing

Diameter housing	19 mm
------------------	-------

Material specifications

Color Handle area	black
Material	PBT PA 6
Flammability rating according to UL 94	V0
Seal material	NBR

SACC-M12MS-4PL M - Connector



1424657

<https://www.phoenixcontact.com/in/products/1424657>

Material of grip body	PA 6.6
Contact material	CuSn
Contact surface material	Ni/Au
Contact carrier material	PA 6.6
Material for screw connection	Zinc die-cast, nickel-plated
Standards/regulations	PA 6.6: Fire protection in rail vehicles - requirement sets R22, R23, R24, and R26 acc. to DIN EN 45545-2 (Risk level HL1 - HL3)
	PA 6: Fire protection in rail vehicles - requirement sets R22, R23, and R24 acc. to DIN EN 45545-2 (Risk level HL1 - HL3)
	PBT: Fire protection in rail vehicles - requirement sets R22, R23, R24, and R26 acc. to DIN EN 45545-2 (Risk level HL1 - HL2, R26: HL3)

Connection data

Conductor connection

Connection method	Push-lock spring connection
Connection cross section	0.14 mm ² ... 0.75 mm ² (without ferrule)
	0.08 mm ² ... 0.5 mm ² (with ferrule)
	0.14 mm ² ... 0.75 mm ² (solid)
Connection cross section AWG	26 ... 18 (without ferrule)
	28 ... 20 (with ferrule)
Stripping length of the individual wire	7 mm
Tightening torque	0.4 Nm (M12 knurl)
	0.4 Nm (Connector with coupling sleeve)
	1.5 Nm (Pressure nut with coupling sleeve)

Pin assignment

Contact Color (signal designation) Contact (optional)	1 = BN
	2 = WH
	3 = BU
	4 = BK

Electrical properties

Rated surge voltage	2.5 kV
Contact resistance	≤ 5 mΩ
Insulation resistance	≥ 100 MΩ
Nominal voltage U _N	250 V AC
	250 V DC
Nominal current I _N	4 A (2 A when using 0.14 mm ² conductors)

Mechanical properties

Mechanical data

Insertion/withdrawal cycles	≥ 100 (Quantity: 500 with Phoenix Contact mating connector)
-----------------------------	---

SACC-M12MS-4PL M - Connector



1424657

<https://www.phoenixcontact.com/in/products/1424657>

Connector

Connection 1

Head design	Plug
Head cable outlet	straight
Head thread type	M12
Coding	A

Cable/line

Signal type/category	Universal
Stripping length of the individual wire	7 mm

Environmental and real-life conditions

Ambient conditions

Degree of protection	IP65
	IP67
Ambient temperature (operation)	-40 °C ... 85 °C (Plug / socket)

Standards and regulations

Testing

Standards/regulations	PA 6.6: Fire protection in rail vehicles - requirement sets R22, R23, R24, and R26 acc. to DIN EN 45545-2 (Risk level HL1 - HL3)
	PA 6: Fire protection in rail vehicles - requirement sets R22, R23, and R24 acc. to DIN EN 45545-2 (Risk level HL1 - HL3)
	PBT: Fire protection in rail vehicles - requirement sets R22, R23, R24, and R26 acc. to DIN EN 45545-2 (Risk level HL1 - HL2, R26: HL3)

M12

Standards/specifications	IEC 61076-2-101
Standards/specifications	EN 50155:2001

SACC-M12MS-4PL M - Connector

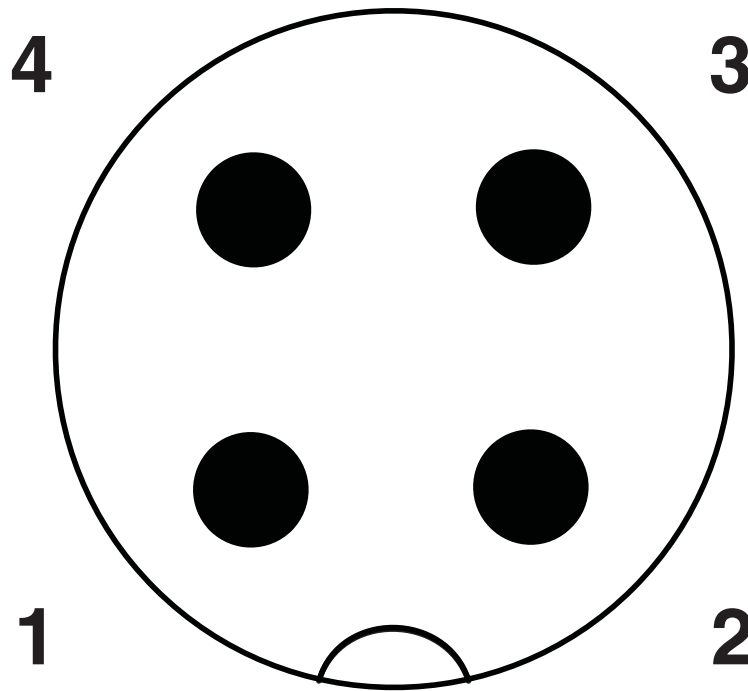
1424657

<https://www.phoenixcontact.com/in/products/1424657>

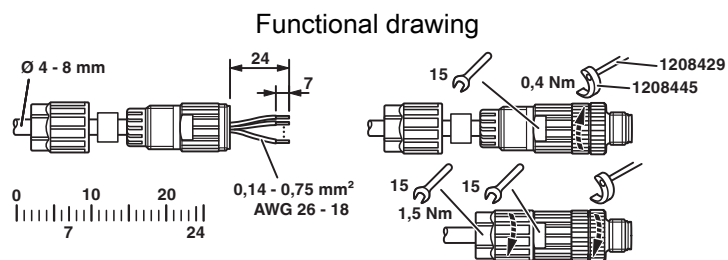


Drawings

Schematic diagram



Pin assignment M12 plug, 4-pos., A-coded, view plug side

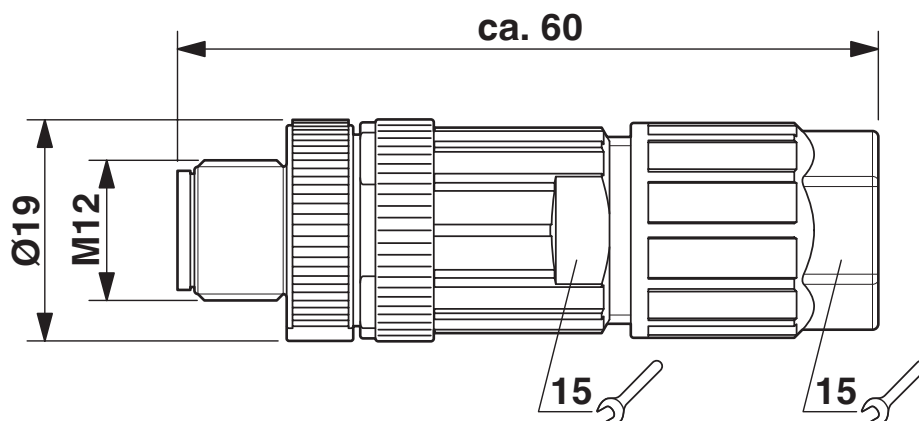


SACC-M12MS-4PL M - Connector

1424657

<https://www.phoenixcontact.com/in/products/1424657>

Dimensional drawing



Plug, M12 x 1, straight

SACC-M12MS-4PL M - Connector



1424657

<https://www.phoenixcontact.com/in/products/1424657>

Approvals



EAC

Approval ID: RU C-DE.AI30.B.01102



EAC

Approval ID: RU C-DE.BL08.B.00511



UL Listed

Approval ID: E221474

	Nominal Voltage U_N	Nominal Current I_N	Cross Section AWG	Cross Section mm^2
	250 V	4 A	-	26 - 18



cUL Listed

Approval ID: E221474

	Nominal Voltage U_N	Nominal Current I_N	Cross Section AWG	Cross Section mm^2
	250 V	4 A	26 - 18	-

SACC-M12MS-4PL M - Connector



1424657

<https://www.phoenixcontact.com/in/products/1424657>

Classifications

ECLASS

ECLASS-11.0	27440102
ECLASS-12.0	27440116
ECLASS-13.0	27440116

ETIM

ETIM 8.0	EC002635
----------	----------

UNSPSC

UNSPSC 21.0	39121400
-------------	----------

SACC-M12MS-4PL M - Connector



1424657

<https://www.phoenixcontact.com/in/products/1424657>

Environmental Product Compliance

China RoHS	Environmentally friendly use period: unlimited = EFUP-e
	No hazardous substances above threshold values

SACC-M12MS-4PL M - Connector

1424657

<https://www.phoenixcontact.com/in/products/1424657>

Accessories

TSD 04 SAC - Torque screwdriver

1208429

<https://www.phoenixcontact.com/in/products/1208429>



Torque screwdriver, with preset torque of 0.4 Nm and 4 mm hexagonal drive for M12 connectors

SACC BIT M12-D20 - Tool

1208445

<https://www.phoenixcontact.com/in/products/1208445>



Nut for assembling M12 connectors for assembly with a knurl diameter of 20 mm, for 4 mm hexagonal drive

SACC-M12MS-4PL M - Connector

1424657

<https://www.phoenixcontact.com/in/products/1424657>



TSD-M 1,2NM - Torque screwdriver

1212224

<https://www.phoenixcontact.com/in/products/1212224>



Torque screw driver, accuracy as per EN ISO 6789 standard, adjustable from 0.3 - 1.2 Nm

TSD-M SAC-BIT ADAPTER - Adapter insert

1212600

<https://www.phoenixcontact.com/in/products/1212600>



Adapter bit for TSD-M...torque tools, E6.3-1/4" drive with 4 mm hexagon to accommodate SAC bits

SACC-M12MS-4PL M - Connector

1424657

<https://www.phoenixcontact.com/in/products/1424657>



PROT-M12 FS-PA-CHAIN - Sealing cap

1430873

<https://www.phoenixcontact.com/in/products/1430873>

M12 sealing cap made of plastic with fixing band, for sensor cables, for free M12 plugs



SAC-4P-100,0-PUR/0,25 - Cable reel

1501692

<https://www.phoenixcontact.com/in/products/1501692>

By the meter, Cable reel, PUR halogen-free, black-gray RAL 7021, 4-wire, color single wire: brown, white, blue, black, cable length: 100 m



SACC-M12MS-4PL M - Connector

1424657

<https://www.phoenixcontact.com/in/products/1424657>



SAC-4P-100,0-PUR/0,34 - Cable reel

1501663

<https://www.phoenixcontact.com/in/products/1501663>



By the meter, Cable reel, PUR halogen-free, black-gray RAL 7021, 4-wire, color single wire: brown, white, blue, black, cable length: 100 m

WIREFOX 2,5 - Stripping tool

1212368

<https://www.phoenixcontact.com/in/products/1212368>



Stripping tool, for conductors and cables with a conductor cross section from 0.08 to 2.5 mm, self-adjusting, stripping length adjustable up to 15 mm, cutting capacity up to 6 mm² stranded/1.5 mm² solid

SACC-M12MS-4PL M - Connector

1424657

<https://www.phoenixcontact.com/in/products/1424657>

WIREFOX SAC - Stripping tool

1212623

<https://www.phoenixcontact.com/in/products/1212623>



Stripping pliers, for halogen-free sensor/actuator cables (SAC cables), with PUR and PVC insulation, from Ø of 4.4 to 7 mm, any stripping length

AI 0,25- 6 YE - Ferrule

3203024

<https://www.phoenixcontact.com/in/products/3203024>



Ferrule, sleeve length: 6 mm, length: 10.5 mm, color: yellow

SACC-M12MS-4PL M - Connector

1424657

<https://www.phoenixcontact.com/in/products/1424657>

A 0,25- 7 - Ferrule

3202478

<https://www.phoenixcontact.com/in/products/3202478>



Ferrule, length: 7 mm, color: silver

A 0,34- 7 - Ferrule

3009202

<https://www.phoenixcontact.com/in/products/3009202>



Ferrule, length: 7 mm, color: silver

SACC-M12MS-4PL M - Connector

1424657

<https://www.phoenixcontact.com/in/products/1424657>

A 0,5 - 6 - Ferrule

3200218

<https://www.phoenixcontact.com/in/products/3200218>

Ferrule, length: 6 mm, color: silver



AI 0,5 - 6 WH - Ferrule

3200687

<https://www.phoenixcontact.com/in/products/3200687>

Ferrule, sleeve length: 6 mm, length: 12 mm, color: white



SACC-M12MS-4PL M - Connector

1424657

<https://www.phoenixcontact.com/in/products/1424657>



CRIMPFOX 6H - Crimping pliers

1212046

<https://www.phoenixcontact.com/in/products/1212046>



Crimping pliers, for ferrules without insulating collar according to DIN 46228 Part 1 and ferrules with insulating collar according to DIN 46228 Part 4, 0.14 mm² ... 6 mm², unlockable pressure lock, lateral entry

Phoenix Contact 2023 © - all rights reserved

<https://www.phoenixcontact.com>

PHOENIX CONTACT (I) Pvt. Ltd.

A-58/2, Okhla Industrial Area, Phase - II, New Delhi-110 020

+91.1275.71420

info@phoenixcontact.co.in