

SACC-M12FS-4PL M - Connector



1424655

<https://www.phoenixcontact.com/in/products/1424655>

Please be informed that the data shown in this PDF document is generated from our Online Catalog. Please find the complete data in the user documentation. Our General Terms of Use for Downloads are valid.



Connector, Universal, 4-position, unshielded, Socket straight M12, A, Push-lock spring connection, knurl material: Zinc die-cast, nickel-plated, external cable diameter 4 mm ... 8 mm

Your advantages

- Time-saving Push-Lock connection: Tool-free connection and disconnection of conductors by opening the contact levers
- Intuitive connection: Easy assignment of individual litz wires with color-coded and numerical identification of the contact levers
- Integrated Push-in Technology: Wire rigid and pretreated conductors easily by means of simple, direct insertion
- Shock- and vibration-resistant connection: Proven spring-cage technology guarantees secure and reliable contacting

Commercial Data

| | |
|--------------------------------------|--------------------|
| Item number | 1424655 |
| Packing unit | 1 pc |
| Minimum order quantity | 1 pc |
| Sales Key | BF2 |
| Product Key | BF2CEA |
| Catalog Page | Page 19 (C-2-2019) |
| GTIN | 4055626375823 |
| Weight per Piece (including packing) | 26.5 g |
| Weight per Piece (excluding packing) | 26 g |
| Customs tariff number | 85366990 |
| Country of origin | DE |

SACC-M12FS-4PL M - Connector



1424655

<https://www.phoenixcontact.com/in/products/1424655>

Technical Data

Notes

| | |
|---------|--|
| General | NOTE: Observe the permissible bending radii when laying conductors, since the degree of protection may be put in jeopardy if the bending forces are too high. Alleviate mechanical loads upstream of the connector, e.g. by using cable ties. |
|---------|--|

Mounting

| | |
|-----------------------|--|
| Assembly instructions | The wires can be connected both with ferrules and without ferrules |
| Connection method | Push-lock spring connection |

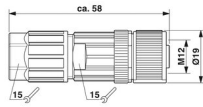
Product properties

| | |
|----------------------|---------------------------------|
| Product type | Circular connector (cable-side) |
| Number of positions | 4 |
| Sensor type | Universal |
| No. of cable outlets | 1 |
| Shielded | no |
| Coding | A |
| Cable outlet | straight |

Insulation characteristics

| | |
|----------------------|----|
| Overvoltage category | II |
| Degree of pollution | 3 |

Dimensions

| | |
|---------------------|--|
| Dimensional drawing |  |
| Length | 58 mm |

External dimensions

| | |
|------------------|---------------|
| Outside diameter | 4 mm ... 8 mm |
|------------------|---------------|

Housing

| | |
|------------------|-------|
| Diameter housing | 19 mm |
|------------------|-------|

Material specifications

| | |
|--|-------------|
| Color Handle area | black |
| Material | PBT PA 6 |
| Flammability rating according to UL 94 | V0 |
| Seal material | NBR |

SACC-M12FS-4PL M - Connector



1424655

<https://www.phoenixcontact.com/in/products/1424655>

| | |
|-------------------------------|---|
| Material of grip body | PA 6.6 |
| Contact material | CuSn |
| Contact surface material | Ni/Au |
| Contact carrier material | PA 6.6 |
| Material for screw connection | Zinc die-cast, nickel-plated |
| Standards/regulations | PA 6.6: Fire protection in rail vehicles - requirement sets R22, R23, R24, and R26 acc. to DIN EN 45545-2 (Risk level HL1 - HL3) |
| | PA 6: Fire protection in rail vehicles - requirement sets R22, R23, and R24 acc. to DIN EN 45545-2 (Risk level HL1 - HL3) |
| | PBT: Fire protection in rail vehicles - requirement sets R22, R23, R24, and R26 acc. to DIN EN 45545-2 (Risk level HL1 - HL2, R26: HL3) |

Connection data

Conductor connection

| | |
|---|---|
| Connection method | Push-lock spring connection |
| Connection cross section | 0.14 mm ² ... 0.75 mm ² (without ferrule) |
| | 0.08 mm ² ... 0.5 mm ² (with ferrule) |
| | 0.14 mm ² ... 0.75 mm ² (solid) |
| Connection cross section AWG | 26 ... 18 (without ferrule) |
| | 28 ... 20 (with ferrule) |
| Stripping length of the individual wire | 7 mm |
| Tightening torque | 0.4 Nm (M12 knurl) |
| | 0.4 Nm (Connector with coupling sleeve) |
| | 1.5 Nm (Pressure nut with coupling sleeve) |

Pin assignment

| | |
|---|--------|
| Contact Color (signal designation) Contact (optional) | 1 = BN |
| | 2 = WH |
| | 3 = BU |
| | 4 = BK |

Electrical properties

| | |
|--------------------------------|--|
| Rated surge voltage | 2.5 kV |
| Contact resistance | ≤ 5 mΩ |
| Insulation resistance | ≥ 100 MΩ |
| Nominal voltage U _N | 250 V AC |
| | 250 V DC |
| Nominal current I _N | 4 A (2 A when using 0.14 mm ² conductors) |

Mechanical properties

Mechanical data

| | |
|-----------------------------|---|
| Insertion/withdrawal cycles | ≥ 100 (Quantity: 500 with Phoenix Contact mating connector) |
|-----------------------------|---|

SACC-M12FS-4PL M - Connector



1424655

<https://www.phoenixcontact.com/in/products/1424655>

Connector

Connection 1

| | |
|-------------------|----------|
| Head design | Socket |
| Head cable outlet | straight |
| Head thread type | M12 |
| Coding | A |

Cable/line

| | |
|---|-----------|
| Signal type/category | Universal |
| Stripping length of the individual wire | 7 mm |

Environmental and real-life conditions

Ambient conditions

| | |
|---------------------------------|----------------------------------|
| Degree of protection | IP65 |
| | IP67 |
| Ambient temperature (operation) | -40 °C ... 85 °C (Plug / socket) |

Standards and regulations

Testing

| | |
|-----------------------|---|
| Standards/regulations | PA 6.6: Fire protection in rail vehicles - requirement sets R22, R23, R24, and R26 acc. to DIN EN 45545-2 (Risk level HL1 - HL3) |
| | PA 6: Fire protection in rail vehicles - requirement sets R22, R23, and R24 acc. to DIN EN 45545-2 (Risk level HL1 - HL3) |
| | PBT: Fire protection in rail vehicles - requirement sets R22, R23, R24, and R26 acc. to DIN EN 45545-2 (Risk level HL1 - HL2, R26: HL3) |

M12

| | |
|--------------------------|-----------------|
| Standards/specifications | IEC 61076-2-101 |
| Standards/specifications | EN 50155:2001 |

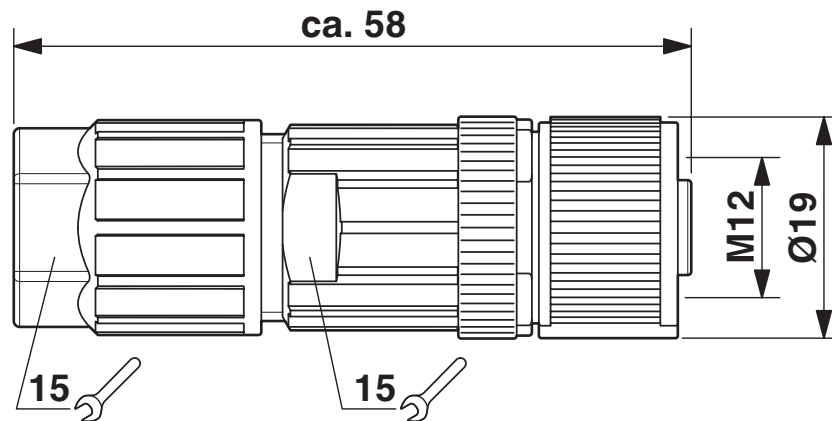
SACC-M12FS-4PL M - Connector

1424655

<https://www.phoenixcontact.com/in/products/1424655>

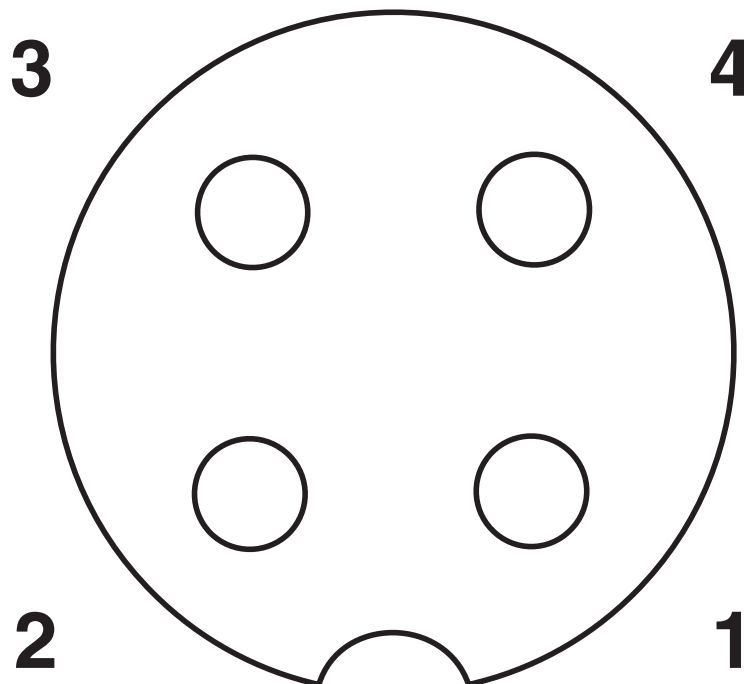
Drawings

Dimensional drawing



M12 x 1 socket, straight

Schematic diagram



Pin assignment M12 socket, 4-pos., A-coded, view female side

SACC-M12FS-4PL M - Connector



1424655

<https://www.phoenixcontact.com/in/products/1424655>

Approvals



EAC

Approval ID: RU C-DE.AI30.B.01102



EAC

Approval ID: RU C-DE.BL08.B.00511



UL Listed

Approval ID: E221474

| | Nominal Voltage U_N | Nominal Current I_N | Cross Section AWG | Cross Section mm^2 |
|--|-----------------------|-----------------------|-------------------|-----------------------------|
| | 250 V | 4 A | - | 26 - 18 |



cUL Listed

Approval ID: E221474

| | Nominal Voltage U_N | Nominal Current I_N | Cross Section AWG | Cross Section mm^2 |
|--|-----------------------|-----------------------|-------------------|-----------------------------|
| | 250 V | 4 A | 26 - 18 | - |

SACC-M12FS-4PL M - Connector



1424655

<https://www.phoenixcontact.com/in/products/1424655>

Classifications

ECLASS

| | |
|-------------|----------|
| ECLASS-11.0 | 27440102 |
| ECLASS-12.0 | 27440116 |
| ECLASS-13.0 | 27440116 |

ETIM

| | |
|----------|----------|
| ETIM 8.0 | EC002635 |
|----------|----------|

UNSPSC

| | |
|-------------|----------|
| UNSPSC 21.0 | 39121400 |
|-------------|----------|

SACC-M12FS-4PL M - Connector



1424655

<https://www.phoenixcontact.com/in/products/1424655>

Environmental Product Compliance

| | |
|------------|---|
| China RoHS | Environmentally friendly use period: unlimited = EFUP-e |
| | No hazardous substances above threshold values |

SACC-M12FS-4PL M - Connector

1424655

<https://www.phoenixcontact.com/in/products/1424655>



Accessories

TSD 04 SAC - Torque screwdriver

1208429

<https://www.phoenixcontact.com/in/products/1208429>



Torque screwdriver, with preset torque of 0.4 Nm and 4 mm hexagonal drive for M12 connectors

SACC BIT M12-D20 - Tool

1208445

<https://www.phoenixcontact.com/in/products/1208445>



Nut for assembling M12 connectors for assembly with a knurl diameter of 20 mm, for 4 mm hexagonal drive

SACC-M12FS-4PL M - Connector

1424655

<https://www.phoenixcontact.com/in/products/1424655>



TSD-M 1,2NM - Torque screwdriver

1212224

<https://www.phoenixcontact.com/in/products/1212224>



Torque screw driver, accuracy as per EN ISO 6789 standard, adjustable from 0.3 - 1.2 Nm

TSD-M SAC-BIT ADAPTER - Adapter insert

1212600

<https://www.phoenixcontact.com/in/products/1212600>



Adapter bit for TSD-M...torque tools, E6.3-1/4" drive with 4 mm hexagon to accommodate SAC bits

SACC-M12FS-4PL M - Connector

1424655

<https://www.phoenixcontact.com/in/products/1424655>



PROT-M12 MS-PA-CHAIN - Screw plug

1430899

<https://www.phoenixcontact.com/in/products/1430899>

M12 sealing cap with fixing band, for sensor cables, for free M12 sockets



SAC-4P-100,0-PUR/0,25 - Cable reel

1501692

<https://www.phoenixcontact.com/in/products/1501692>

By the meter, Cable reel, PUR halogen-free, black-gray RAL 7021, 4-wire, color single wire: brown, white, blue, black, cable length: 100 m



SACC-M12FS-4PL M - Connector

1424655

<https://www.phoenixcontact.com/in/products/1424655>



SAC-4P-100,0-PUR/0,34 - Cable reel

1501663

<https://www.phoenixcontact.com/in/products/1501663>



By the meter, Cable reel, PUR halogen-free, black-gray RAL 7021, 4-wire, color single wire: brown, white, blue, black, cable length: 100 m

WIREFOX 2,5 - Stripping tool

1212368

<https://www.phoenixcontact.com/in/products/1212368>



Stripping tool, for conductors and cables with a conductor cross section from 0.08 to 2.5 mm, self-adjusting, stripping length adjustable up to 15 mm, cutting capacity up to 6 mm² stranded/1.5 mm² solid

SACC-M12FS-4PL M - Connector

1424655

<https://www.phoenixcontact.com/in/products/1424655>



WIREFOX SAC - Stripping tool

1212623

<https://www.phoenixcontact.com/in/products/1212623>



Stripping pliers, for halogen-free sensor/actuator cables (SAC cables), with PUR and PVC insulation, from Ø of 4.4 to 7 mm, any stripping length

AI 0,25- 6 YE - Ferrule

3203024

<https://www.phoenixcontact.com/in/products/3203024>



Ferrule, sleeve length: 6 mm, length: 10.5 mm, color: yellow

SACC-M12FS-4PL M - Connector

1424655

<https://www.phoenixcontact.com/in/products/1424655>

A 0,25- 7 - Ferrule

3202478

<https://www.phoenixcontact.com/in/products/3202478>



Ferrule, length: 7 mm, color: silver

A 0,34- 7 - Ferrule

3009202

<https://www.phoenixcontact.com/in/products/3009202>



Ferrule, length: 7 mm, color: silver

SACC-M12FS-4PL M - Connector

1424655

<https://www.phoenixcontact.com/in/products/1424655>

A 0,5 - 6 - Ferrule

3200218

<https://www.phoenixcontact.com/in/products/3200218>

Ferrule, length: 6 mm, color: silver



AI 0,5 - 6 WH - Ferrule

3200687

<https://www.phoenixcontact.com/in/products/3200687>

Ferrule, sleeve length: 6 mm, length: 12 mm, color: white



SACC-M12FS-4PL M - Connector

1424655

<https://www.phoenixcontact.com/in/products/1424655>



CRIMPFOX 6H - Crimping pliers

1212046

<https://www.phoenixcontact.com/in/products/1212046>



Crimping pliers, for ferrules without insulating collar according to DIN 46228 Part 1 and ferrules with insulating collar according to DIN 46228 Part 4, 0.14 mm² ... 6 mm², unlockable pressure lock, lateral entry

Phoenix Contact 2023 © - all rights reserved

<https://www.phoenixcontact.com>

PHOENIX CONTACT (I) Pvt. Ltd.

A-58/2, Okhla Industrial Area, Phase - II, New Delhi-110 020

+91.1275.71420

info@phoenixcontact.co.in