

HC-EVO-B06-SHWSC-2SSM25-PLRBK - Housing



1421244

<https://www.phoenixcontact.com/in/products/1421244>

Please be informed that the data shown in this PDF document is generated from our online catalog. Please find the complete data in the user documentation. Our general terms of use for downloads are valid.



Box mounting bases B6, with single locking latch, material: PA, protective cover material: PC, cable outlets: 2, lateral, 2x M25, height: 74 mm, cable gland: none, protective cover: yes, Standard, including 2x reducing adapter

Product description

One screw connection opening is closed, however can be opened using a screwdriver

Your advantages

- Lower costs than metal version
- Low weight
- Lower risk of condensation

Commercial data

Item number	1421244
Packing unit	1 pc
Minimum order quantity	1 pc
Sales key	BF7
Product key	BF7APL
Catalog page	Page 598 (C-2-2019)
GTIN	4055626264394
Weight per piece (including packing)	173.7 g
Weight per piece (excluding packing)	173.7 g
Customs tariff number	85389099
Country of origin	PL

HC-EVO-B06-SHWSC-2SSM25-PLRBK - Housing



1421244

<https://www.phoenixcontact.com/in/products/1421244>

Technical data

Notes

General	For contact inserts HC-B6, BB10, DD24, M
---------	--

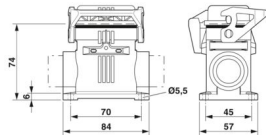
Product properties

Product type	Housing with locking latch
Housing type	Box mounting bases
Product family	HC-EVO-B
Application	Standard
Type	B6
No. of cable outlets	2
Type of the screw connection	2x M25
Type	Tall design
Protective cover	yes
Cable outlet	lateral
Pg screw connection	none

Data management status

Article revision	03
------------------	----

Dimensions

Dimensional drawing	
Width	57 mm
Height	74 mm
Length	84 mm
Hole diameter	5.5 mm

Material specifications

Flammability rating according to UL 94	V0 (Housing)
	V0 (Interlock)
	V0 (Protective cover)
Seal material	NBR
Housing material	PA
Material, protective cover	PC
Locking latch material	PA

Mechanical properties

Mechanical data

HC-EVO-B06-SHWSC-2SSM25-PLRBK - Housing



1421244

<https://www.phoenixcontact.com/in/products/1421244>

Type of the screw connection	2x M25
Locking type	Latch

Connection data

Tightening torque	2 Nm ... 3 Nm (for M5 mounting screws on the surface-mount housing)
-------------------	---

Mounting

Assembly note	Two plastic reductions M32 to M25 are provided
	One of the two openings for the screw connections is sealed but can be broken open using a screwdriver.

Environmental and real-life conditions

Ambient conditions

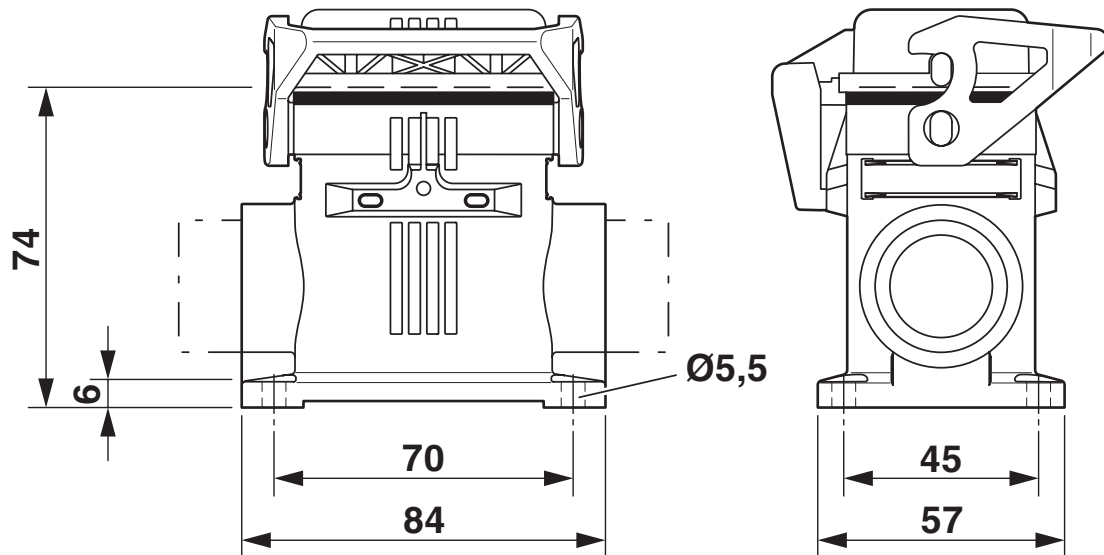
Degree of protection	IP66 (when plugged in or with locked protective cover)
Enclosure rating (NEMA)	12 (UL 50e)
Impact strength	IK08
Ambient temperature (operation)	-40 °C ... 125 °C

1421244

<https://www.phoenixcontact.com/in/products/1421244>

Drawings

Dimensional drawing



Dimensional drawing

1421244

<https://www.phoenixcontact.com/in/products/1421244>

Approvals

To download certificates, visit the product detail page: <https://www.phoenixcontact.com/in/products/1421244>

DNV

Approval ID: TAE000037S



EAC

Approval ID: RU C-DE.AI30.B.01102



EAC

Approval ID: RU C-DE.BL08.B.00511



cUL Recognized

Approval ID: E255026



UL Recognized

Approval ID: E255026

cULus Recognized

1421244

<https://www.phoenixcontact.com/in/products/1421244>

Classifications

ECLASS

ECLASS-11.0	27440202
ECLASS-12.0	27440202
ECLASS-13.0	27440202

ETIM

ETIM 9.0	EC000437
----------	----------

UNSPSC

UNSPSC 21.0	31261500
-------------	----------

1421244

<https://www.phoenixcontact.com/in/products/1421244>

Environmental product compliance

EU RoHS

Fulfills EU RoHS substance requirements	Yes, No exemptions
---	--------------------

China RoHS

Environment friendly use period (EFUP)	EFUP-E
	No hazardous substances above the limits

EU REACH SVHC

REACH candidate substance (CAS No.)	No substance above 0.1 wt%
-------------------------------------	----------------------------

HC-EVO-B06-SHWSC-2SSM25-PLRBK - Housing



1421244

<https://www.phoenixcontact.com/in/products/1421244>

Accessories

G-INS-M25-M68N-PNES-BK - Cable gland

1411134

<https://www.phoenixcontact.com/in/products/1411134>



Cable gland, material for screw connection: PA, application: Standard, external cable diameter 11 mm ... 17 mm, shielding: no, connecting thread: M25 x 1.5, color: jet black RAL 9005

A-INSP-M25-65N-P-BK - Screw plug

1415207

<https://www.phoenixcontact.com/in/products/1415207>



Screw plug, material for screw connection: PA, connecting thread: M25 x 1.5, color: jet black RAL 9005, with O-ring

HC-EVO-B06-SHWSC-2SSM25-PLRBK - Housing



1421244

<https://www.phoenixcontact.com/in/products/1421244>

HC-B06-SL-PLBK - Housing brackets

1407697

<https://www.phoenixcontact.com/in/products/1407697>



Replacement single locking latch for HEAVYCON EVO housing type B6, PA

HC-B06-BC-HI-PLBK - Protective cover

1407692

<https://www.phoenixcontact.com/in/products/1407692>

Protective cover B6, for single locking latch, protective cover material: PC, height: 19 mm, seal: no



HC-EVO-B06-SHWSC-2SSM25-PLRBK - Housing



1421244

<https://www.phoenixcontact.com/in/products/1421244>

HC-B06-SP-RBK - Profile gasket

1407706

<https://www.phoenixcontact.com/in/products/1407706>

Profile gasket for HEAVYCON EVO supporting base element type B6



US-EMP (20X9) - Snap-in markers

0829439

<https://www.phoenixcontact.com/in/products/0829439>

Snap-in markers, Card, white, unlabeled, can be labeled with: BLUEMARK ID COLOR, BLUEMARK ID, THERMOMARK PRIME, THERMOMARK CARD 2.0, THERMOMARK CARD, mounting type: snapped, lettering field size: 20 x 9 mm, Number of individual labels: 70



HC-EVO-B06-SHWSC-2SSM25-PLRBK - Housing



1421244

<https://www.phoenixcontact.com/in/products/1421244>

US-EMP (20X9) CUS - Snap-in markers

0830028

<https://www.phoenixcontact.com/in/products/0830028>

Snap-in markers, Card, can be ordered: by card, white, labeled according to customer specifications, mounting type: snapped into marker carrier, lettering field size: 20 x 9 mm, Number of individual labels: 70



HC-STA-B06-DC-PL - Protective cover

1421100

<https://www.phoenixcontact.com/in/products/1421100>

Protective cover, design: B6



Phoenix Contact 2024 © - all rights reserved

<https://www.phoenixcontact.com>

PHOENIX CONTACT (I) Pvt. Ltd.

A-58/2, Okhla Industrial Area, Phase - II, New Delhi-110 020

+91.1275.71420

info@phoenixcontact.co.in