

HC-STA-D07-BWS-PL-BK - Housing

1419265

<https://www.phoenixcontact.com/in/products/1419265>

Please be informed that the data shown in this PDF document is generated from our online catalog. Please find the complete data in the user documentation. Our general terms of use for downloads are valid.



Panel mounting base D7, with single locking latch, material: PA, height: 25.5 mm, cable gland: none, Standard

Commercial data

Item number	1419265
Packing unit	1 pc
Minimum order quantity	1 pc
Sales key	BF7
Product key	BF7APD
Catalog page	Page 516 (C-2-2019)
GTIN	4055626160160
Weight per piece (including packing)	14.6 g
Weight per piece (excluding packing)	14 g
Customs tariff number	85389099
Country of origin	CN

HC-STA-D07-BWS-PL-BK - Housing



1419265

<https://www.phoenixcontact.com/in/products/1419265>

Technical data

Notes

General	for contact inserts HC-A03, A04, D07, D08, Q02, Q03, Q04, Q05, Q07, Q12
---------	---

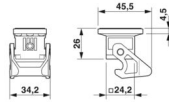
Product properties

Product type	Housing with locking latch
Housing type	Panel mounting base
Product family	HC-STA-D07
Application	Standard
Type	D7
Shielded	no
Pg screw connection	none

Data management status

Article revision	01
------------------	----

Dimensions

Dimensional drawing	
Width	34.2 mm
Height	25.5 mm
Length	24.2 mm
Drill hole distance, horizontal	30 mm
Hole diameter	3.2 mm

Installation dimensions

Width of the assembly cutout	21 mm
Length of the assembly cutout	21 mm

Material specifications

Flammability rating according to UL 94	V0 (Housing)
	V0 (Interlock)
Seal material	NBR
Housing material	PA
Locking latch material	PA

Mechanical properties

Mechanical data

Locking type	Latch
--------------	-------

HC-STA-D07-BWS-PL-BK - Housing



1419265

<https://www.phoenixcontact.com/in/products/1419265>

Connection data

Tightening torque	0.5 Nm ... 0.8 Nm (For M3 mounting screws on the panel-mount base)
-------------------	--

Environmental and real-life conditions

Ambient conditions

Degree of protection	IP66
Impact strength	IK06
Ambient temperature (operation)	-40 °C ... 125 °C

HC-STA-D07-BWS-PL-BK - Housing

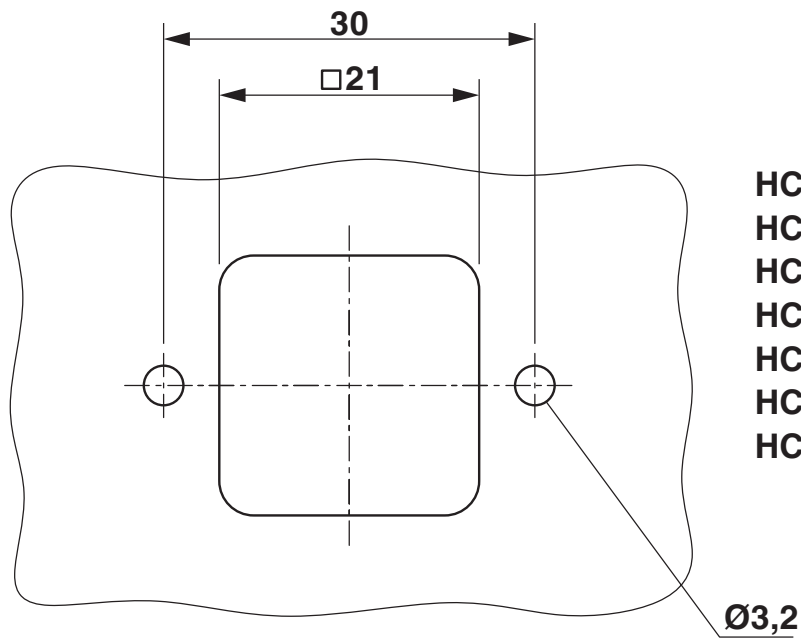


1419265

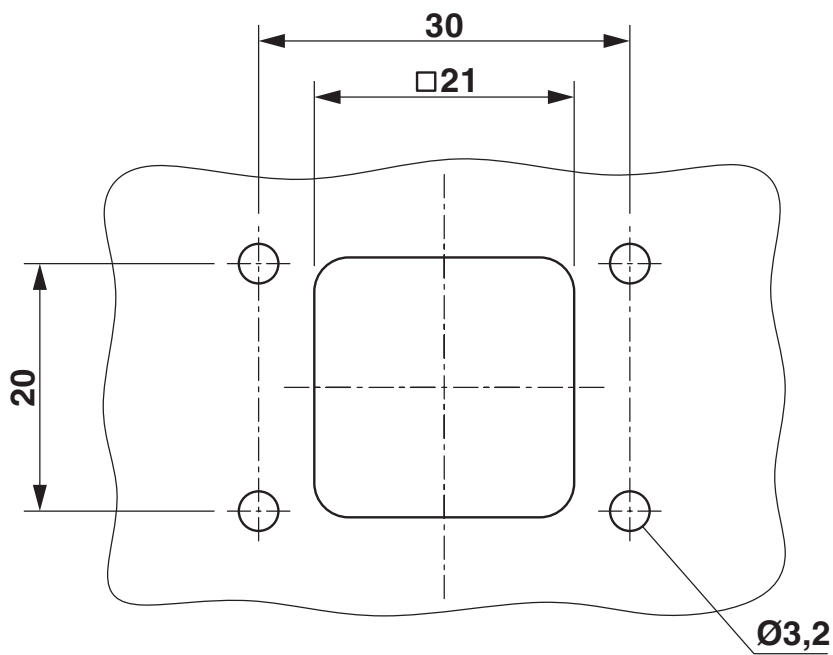
<https://www.phoenixcontact.com/in/products/1419265>

Drawings

Dimensional drawing



HC-A03
HC-A04
HC-D07
HC-D08
HC-Q05
HC-Q07
HC-Q12



HC-Q02
HC-Q03
HC-Q04

Mounting cutout

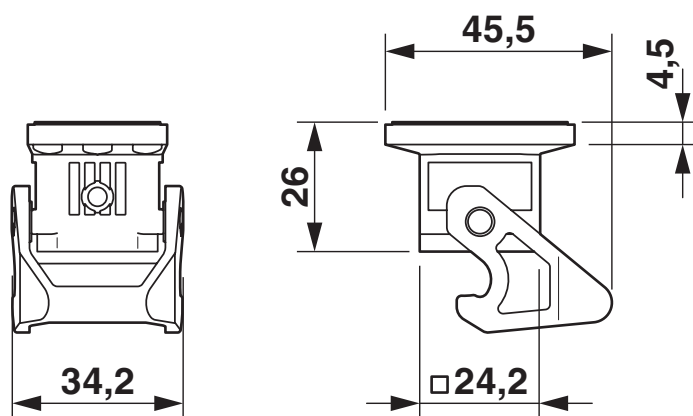
HC-STA-D07-BWS-PL-BK - Housing

1419265

<https://www.phoenixcontact.com/in/products/1419265>



Dimensional drawing



Dimensional drawing

HC-STA-D07-BWS-PL-BK - Housing



1419265

<https://www.phoenixcontact.com/in/products/1419265>

Approvals

🔗 To download certificates, visit the product detail page: <https://www.phoenixcontact.com/in/products/1419265>

DNV

Approval ID: TAE000037S



EAC

Approval ID: RU C-DE.BL08.B.00511

HC-STA-D07-BWS-PL-BK - Housing



1419265

<https://www.phoenixcontact.com/in/products/1419265>

Classifications

ECLASS

ECLASS-11.0	27440202
ECLASS-12.0	27440202
ECLASS-13.0	27440202

ETIM

ETIM 9.0	EC000437
----------	----------

UNSPSC

UNSPSC 21.0	31261500
-------------	----------

1419265

<https://www.phoenixcontact.com/in/products/1419265>

Environmental product compliance

EU RoHS

Fulfills EU RoHS substance requirements	Yes, No exemptions
---	--------------------

China RoHS

Environment friendly use period (EFUP)	EFUP-E
	No hazardous substances above the limits

EU REACH SVHC

REACH candidate substance (CAS No.)	No substance above 0.1 wt%
-------------------------------------	----------------------------

HC-STA-D07-BWS-PL-BK - Housing



1419265

<https://www.phoenixcontact.com/in/products/1419265>

Accessories

US-EMLP (20X9) CUS - Plastic label

0830085

<https://www.phoenixcontact.com/in/products/0830085>

Plastic label, Card, can be ordered: by card, white, labeled according to customer specifications, mounting type: adhesive, lettering field size: 20 x 9 mm, Number of individual labels: 75



HC-D07-SL-PLBK - Housing brackets

1424440

<https://www.phoenixcontact.com/in/products/1424440>

Replacement latch for HC-D7 housing



HC-STA-D07-BWS-PL-BK - Housing

1419265

<https://www.phoenixcontact.com/in/products/1419265>



HC-D07-SG-RBK - Seal

1424441

<https://www.phoenixcontact.com/in/products/1424441>

Replacement seal for HC-D7 housing



HC-STA-D07-BCLFS-PLR-BK - Protective cover

1419270

<https://www.phoenixcontact.com/in/products/1419270>

Protective cover D7, for single locking latch, material: PA, protective cover material: PA, height: 29.4 mm, seal: yes, Standard, with lanyard, for socket inserts



HC-STA-D07-BWS-PL-BK - Housing

1419265

<https://www.phoenixcontact.com/in/products/1419265>



HC-STA-D07-BCLFS-PL-BK - Protective cover

1419271

<https://www.phoenixcontact.com/in/products/1419271>

Protective cover D7, for single locking latch, material: PA, protective cover material: PA, height: 29.4 mm, seal: no, Standard, with lanyard, for pin inserts



HC-STA-D07-BCSFS-PLR-BK - Protective cover

1419272

<https://www.phoenixcontact.com/in/products/1419272>

Protective cover D7, for single locking latch, material: PA, protective cover material: PA, height: 30 mm, seal: yes, Standard, with lanyard, for socket inserts



HC-STA-D07-BWS-PL-BK - Housing

1419265

<https://www.phoenixcontact.com/in/products/1419265>



HC-STA-D07-BCSFS-PL-BK - Protective cover

1419273

<https://www.phoenixcontact.com/in/products/1419273>



Protective cover D7, for single locking latch, material: PA, protective cover material: PA, height: 30 mm, seal: no, Standard, with lanyard, for pin inserts

Phoenix Contact 2024 © - all rights reserved

<https://www.phoenixcontact.com>

PHOENIX CONTACT (I) Pvt. Ltd.

A-58/2, Okhla Industrial Area, Phase - II, New Delhi-110 020

+91.1275.71420

info@phoenixcontact.co.in