

# HC-STA-D07-HHFS-1TGM25-PL-BK - Housing



1419256

<https://www.phoenixcontact.com/in/products/1419256>

Please be informed that the data shown in this PDF document is generated from our online catalog. Please find the complete data in the user documentation. Our general terms of use for downloads are valid.



Sleeve housing D7, for single locking latch, material: PA, cable outlets: 1, straight, M25, height: 81.8 mm, cable gland: with, Standard

## Commercial data

Item number	1419256
Packing unit	1 pc
Minimum order quantity	1 pc
Sales key	BF7
Product key	BF7APD
Catalog page	Page 514 (C-2-2019)
GTIN	4055626159973
Weight per piece (including packing)	31.3 g
Weight per piece (excluding packing)	30.9 g
Customs tariff number	85389099
Country of origin	CN

# HC-STA-D07-HHFS-1TGM25-PL-BK - Housing



1419256

<https://www.phoenixcontact.com/in/products/1419256>

## Technical data

### Notes

General	for contact inserts HC-A03, A04, D07, D08, Q02, Q03, Q04, Q05, Q07, Q12
---------	---

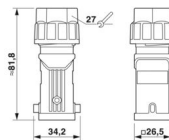
### Product properties

Product type	Housing with locking latch
Housing type	Sleeve housing
Product family	HC-STA-D07
Application	Standard
Type	D7
No. of cable outlets	1
Type of the screw connection	M25
Shielded	no
Cable outlet	straight
Pg screw connection	with

### Data management status

Article revision	01
------------------	----

### Dimensions

Dimensional drawing	
Width	34.2 mm
Height	81.8 mm
Length	26.5 mm
Wrench size, union nut	27 mm

### Material specifications

Flammability rating according to UL 94	V0 (Housing)
Housing material	PA
Locking latch material	PA

### Mechanical properties

#### Mechanical data

Type of the screw connection	M25
Locking type	Pin

### Cable/line

External cable diameter Cable 1	10 mm ... 16 mm
---------------------------------	-----------------

# HC-STA-D07-HHFS-1TGM25-PL-BK - Housing



1419256

<https://www.phoenixcontact.com/in/products/1419256>

## Connection data

External cable diameter	10 mm ... 16 mm
Tightening torque	Locking screw

## Environmental and real-life conditions

### Ambient conditions

Degree of protection	IP66
Impact strength	IK06
Ambient temperature (operation)	-40 °C ... 125 °C

# HC-STA-D07-HHFS-1TGM25-PL-BK - Housing

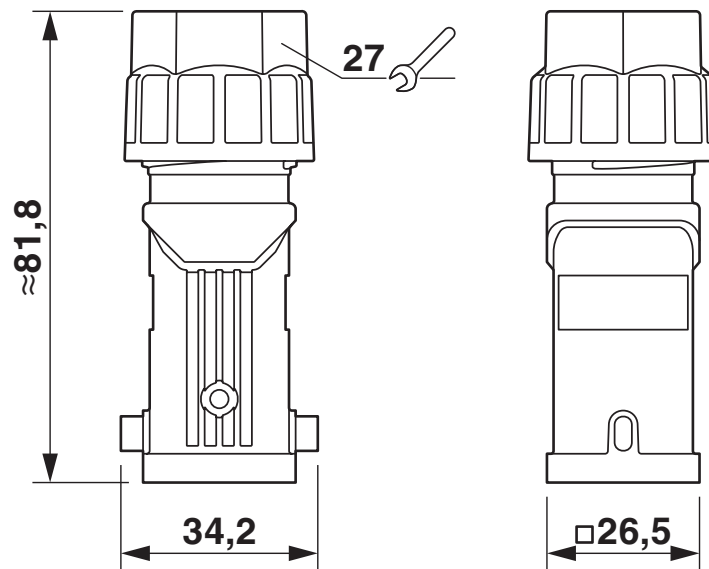
1419256

<https://www.phoenixcontact.com/in/products/1419256>



## Drawings

Dimensional drawing



Dimensional drawing

1419256

<https://www.phoenixcontact.com/in/products/1419256>

## Approvals

🔗 To download certificates, visit the product detail page: <https://www.phoenixcontact.com/in/products/1419256>

### DNV

Approval ID: TAE000037S



### EAC

Approval ID: RU C-DE.BL08.B.00511

1419256

<https://www.phoenixcontact.com/in/products/1419256>

## Classifications

### ECLASS

ECLASS-11.0	27440202
ECLASS-12.0	27440202
ECLASS-13.0	27440202

### ETIM

ETIM 9.0	EC000437
----------	----------

### UNSPSC

UNSPSC 21.0	31261500
-------------	----------

1419256

<https://www.phoenixcontact.com/in/products/1419256>

## Environmental product compliance

### EU RoHS

Fulfills EU RoHS substance requirements	Yes, No exemptions
---	--------------------

### China RoHS

Environment friendly use period (EFUP)	EFUP-E
	No hazardous substances above the limits

### EU REACH SVHC

REACH candidate substance (CAS No.)	No substance above 0.1 wt%
-------------------------------------	----------------------------

1419256

<https://www.phoenixcontact.com/in/products/1419256>

## Accessories

### US-EMLP (20X9) CUS - Plastic label

0830085

<https://www.phoenixcontact.com/in/products/0830085>

Plastic label, Card, can be ordered: by card, white, labeled according to customer specifications, mounting type: adhesive, lettering field size: 20 x 9 mm, Number of individual labels: 75



---

### US-EMLP-HA (20X9) - Plastic label

0830989

<https://www.phoenixcontact.com/in/products/0830989>

Plastic label, Card, white, unlabeled, can be labeled with: BLUEMARK ID COLOR, BLUEMARK ID, THERMOMARK PRIME, THERMOMARK CARD 2.0, THERMOMARK CARD, mounting type: adhesive, lettering field size: 20 x 9 mm, Number of individual labels: 70





# HC-STA-D07-HHFS-1TGM25-PL-BK - Housing

1419256

<https://www.phoenixcontact.com/in/products/1419256>



## HC-STA-D07-HCLWS-PLR-BK - Protective cover

1419274

<https://www.phoenixcontact.com/in/products/1419274>

Protective cover D7, with single locking latch, material: PA, protective cover material: PA, height: 30 mm, seal: yes, Standard, with lanyard, for socket inserts



---

## HC-STA-D07-HCLWS-PL-BK - Protective cover

1419275

<https://www.phoenixcontact.com/in/products/1419275>

Protective cover D7, with single locking latch, material: PA, protective cover material: PA, height: 28 mm, seal: no, Standard, with lanyard, for pin inserts



---

Phoenix Contact 2024 © - all rights reserved  
<https://www.phoenixcontact.com>

PHOENIX CONTACT (I) Pvt. Ltd.  
A-58/2, Okhla Industrial Area, Phase - II, New Delhi-110 020

+91.1275.71420  
[info@phoenixcontact.co.in](mailto:info@phoenixcontact.co.in)