

HC-STA-B10-HLFD-1STP16-EL-AL - Housing



1412618

<https://www.phoenixcontact.com/in/products/1412618>

Please be informed that the data shown in this PDF document is generated from our Online Catalog. Please find the complete data in the user documentation. Our General Terms of Use for Downloads are valid.



Sleeve housing B10, for double locking latch, material: Die-cast aluminum, salt water resistant, cable outlets: 1, lateral, 1x Pg16, height: 57 mm, cable gland: none, Standard

Your advantages

- Good shielding in the event of electromagnetic interference

Commercial Data

Item number	1412618
Packing unit	1 pc
Minimum order quantity	1 pc
Sales Key	BF7
Product Key	BF7APB
Catalog Page	Page 610 (C-2-2019)
GTIN	4055626059457
Weight per Piece (including packing)	153 g
Weight per Piece (excluding packing)	146.65 g
Customs tariff number	85389099
Country of origin	PL

HC-STA-B10-HLFD-1STP16-EL-AL - Housing

1412618

<https://www.phoenixcontact.com/in/products/1412618>

Technical Data

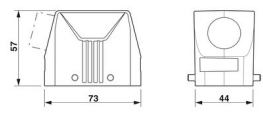
Notes

General	For contact inserts HC-B10, BB18, DD42, M, K8/24
---------	--

Product properties

Type	B10
Product type	Housing with locking latch
Application	Standard
No. of cable outlets	1
Type of the screw connection	1x Pg16
Housing type	Sleeve housing
Locking type	for double locking latch
Cable outlet	lateral
Pg screw connection	none

Dimensions

Dimensional drawing	
Width	44 mm
Height	57 mm
Length	73 mm

Material specifications

Color	gray aluminum
Housing surface material	uncoated
Impact strength	IK09
Housing material	Die-cast aluminum, salt water resistant

Mechanical properties

Mechanical data

Type of the screw connection	1x Pg16
Locking type	Pin

Environmental and real-life conditions

Ambient conditions

Degree of protection	IP66
	IP67
	4 (UL 50e)
	4X (UL 50e)

HC-STA-B10-HLFD-1STP16-EL-AL - Housing



1412618

<https://www.phoenixcontact.com/in/products/1412618>

	12 (UL 50e)
Impact strength	IK09
Ambient temperature (operation)	-40 °C ... 125 °C

HC-STA-B10-HLFD-1STP16-EL-AL - Housing

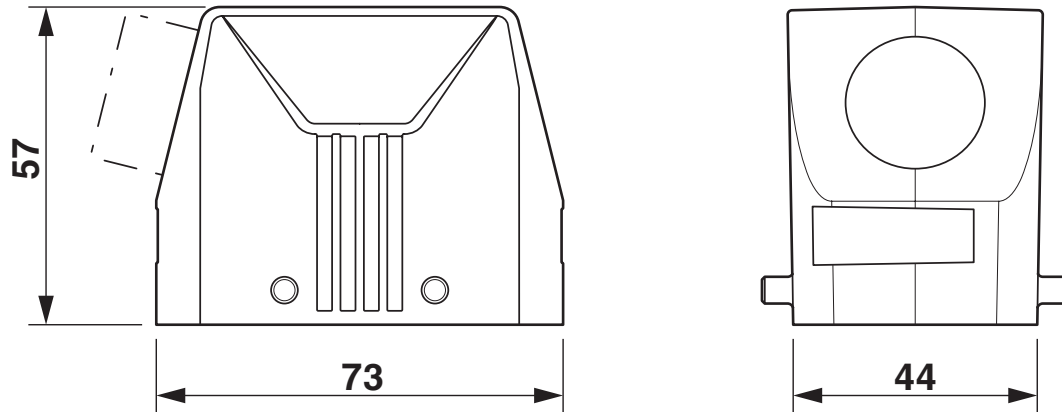


1412618

<https://www.phoenixcontact.com/in/products/1412618>

Drawings

Dimensional drawing



Dimensional drawing

HC-STA-B10-HLFD-1STP16-EL-AL - Housing



1412618

<https://www.phoenixcontact.com/in/products/1412618>

Approvals



cUL Recognized

Approval ID: E255026



UL Recognized

Approval ID: E255026



EAC

Approval ID: RU C-DE.AI30.B.01102



EAC

Approval ID: RU C-DE.BL08.B.00511

HC-STA-B10-HLFD-1STP16-EL-AL - Housing



1412618

<https://www.phoenixcontact.com/in/products/1412618>

Classifications

ECLASS

ECLASS-11.0	27440202
ECLASS-12.0	27440202
ECLASS-13.0	27440202

ETIM

ETIM 8.0	EC000437
----------	----------

UNSPSC

UNSPSC 21.0	31261500
-------------	----------

HC-STA-B10-HLFD-1STP16-EL-AL - Housing



1412618

<https://www.phoenixcontact.com/in/products/1412618>

Environmental Product Compliance

China RoHS	Environmentally friendly use period: unlimited = EFUP-e
	No hazardous substances above threshold values

1412618

<https://www.phoenixcontact.com/in/products/1412618>

Accessories

G-INS-PG16-S68N-NNES-S - Cable gland

1411174

<https://www.phoenixcontact.com/in/products/1411174>



Cable gland, material for screw connection: Nickel-plated brass, external cable diameter 10 mm ... 14 mm, shielding: no, connecting thread: Pg16, color: silver, with O-ring

G-INSEC-PG16-S68N-NNES-S - Cable gland

1411199

<https://www.phoenixcontact.com/in/products/1411199>



Cable gland, material for screw connection: Nickel-plated brass, external cable diameter 10 mm ... 14 mm, shielding: yes, connecting thread: Pg16, color: silver, with O-ring

HC-STA-B10-HLFD-1STP16-EL-AL - Housing

1412618

<https://www.phoenixcontact.com/in/products/1412618>



US-EMLP (20X9) CUS - Plastic label

0830085

<https://www.phoenixcontact.com/in/products/0830085>

Plastic label, can be ordered: by card, white, labeled according to customer specifications, mounting type: adhesive, lettering field size: 20 x 9 mm, Number of individual labels: 75



HC-B10-HCWD-PLR-BK - Protective cover

1346530

<https://www.phoenixcontact.com/in/products/1346530>

Protective cover B10, with double locking latch, protective cover material: PC, height: 26.3 mm, seal: yes



HC-STA-B10-HLFD-1STP16-EL-AL - Housing

1412618

<https://www.phoenixcontact.com/in/products/1412618>

US-EMLP-HA (20X9) - Plastic label

0830989

<https://www.phoenixcontact.com/in/products/0830989>

Plastic label, Card, white, unlabeled, can be labeled with: BLUEMARK ID COLOR, BLUEMARK ID, THERMOMARK PRIME, THERMOMARK CARD 2.0, THERMOMARK CARD, mounting type: adhesive, lettering field size: 20 x 9 mm, Number of individual labels: 70



WP-G HF IP66 PG16 BK - Screw connection

3240891

<https://www.phoenixcontact.com/in/products/3240891>

Cable gland, Pg thread, IP66 protection, straight



HC-STA-B10-HLFD-1STP16-EL-AL - Housing

1412618

<https://www.phoenixcontact.com/in/products/1412618>



WP-G HF IP69K PG16 BK - Screw connection

3240877

<https://www.phoenixcontact.com/in/products/3240877>

Cable gland, Pg thread, IP68/69k protection, straight



WP-GA HF IP66 PG16 BK - Screw connection

3240919

<https://www.phoenixcontact.com/in/products/3240919>

Cable gland, Pg thread, IP66 protection, angled



HC-STA-B10-HLFD-1STP16-EL-AL - Housing

1412618

<https://www.phoenixcontact.com/in/products/1412618>



WP-GA HF IP69K PG16 BK - Screw connection

3240905

<https://www.phoenixcontact.com/in/products/3240905>

Cable gland, Pg thread, IP68/69k protection, angled



WP-GR HF IP66 PG16 BK - Screw connection

3240947

<https://www.phoenixcontact.com/in/products/3240947>

Cable gland, Pg thread, IP66 protection, with strain relief



HC-STA-B10-HLFD-1STP16-EL-AL - Housing

1412618

<https://www.phoenixcontact.com/in/products/1412618>



WP-GR HF IP69K PG16 BK - Screw connection

3240933

<https://www.phoenixcontact.com/in/products/3240933>



Cable gland, Pg thread, IP68/69k protection, with strain relief

WP-G PP HF PG16 - Screw connection

3240991

<https://www.phoenixcontact.com/in/products/3240991>



Cable gland made from PP with Pg thread, IP65 protection

HC-STA-B10-HLFD-1STP16-EL-AL - Housing

1412618

<https://www.phoenixcontact.com/in/products/1412618>



WP-GT PP HF PG16 - Screw connection

3241005

<https://www.phoenixcontact.com/in/products/3241005>



Cable gland made from PP with Pg thread, rotatable, IP54 protection

WP-G BRASS IP40 PG16 - Screw connection

3241040

<https://www.phoenixcontact.com/in/products/3241040>



Cable gland made from brass with Pg thread, IP40 protection

HC-STA-B10-HLFD-1STP16-EL-AL - Housing



1412618

<https://www.phoenixcontact.com/in/products/1412618>

WP-GT BRASS PG16 - Screw connection

3241026

<https://www.phoenixcontact.com/in/products/3241026>

Cable gland made from brass with Pg thread, rotatable, IP40 protection



WP-G BRASS IP65 PG16 - Screw connection

3241054

<https://www.phoenixcontact.com/in/products/3241054>

Cable gland made from brass with Pg thread, IP65 protection



Phoenix Contact 2023 © - all rights reserved
<https://www.phoenixcontact.com>

PHOENIX CONTACT (I) Pvt. Ltd.
A-58/2, Okhla Industrial Area, Phase - II, New Delhi-110 020

+91.1275.71420
info@phoenixcontact.co.in