

# HC-STA-B10-HLFD-1STM25-EL-AL - Housing



1412617

<https://www.phoenixcontact.com/in/products/1412617>

Please be informed that the data shown in this PDF document is generated from our online catalog. Please find the complete data in the user documentation. Our general terms of use for downloads are valid.



Sleeve housing B10, for double locking latch, material: Die-cast aluminum, salt water resistant, cable outlets: 1, lateral, 1x M25, height: 57 mm, cable gland: none, Standard

## Your advantages

- Good shielding in the event of electromagnetic interference

## Commercial data

Item number	1412617
Packing unit	1 pc
Minimum order quantity	1 pc
Sales key	BF7
Product key	BF7APB
Catalog page	Page 610 (C-2-2019)
GTIN	4055626059440
Weight per piece (including packing)	150.1 g
Weight per piece (excluding packing)	146.26 g
Customs tariff number	85389099
Country of origin	PL

# HC-STA-B10-HLFD-1STM25-EL-AL - Housing



1412617

<https://www.phoenixcontact.com/in/products/1412617>

## Technical data

### Notes

General	for contact inserts HC-B10, BB18, DD42, M, K8/24, HV03
General	also available as a powder-coated or color version: 1372740 HC-STA-B10-HLFD-1STM25-EL/...

### Product properties

Product type	Housing with locking latch
Housing type	Sleeve housing
Application	Standard
Type	B10
No. of cable outlets	1
Type of the screw connection	1x M25
Type	Low design
Cable outlet	lateral
Pg screw connection	none

### Data management status

Article revision	03
------------------	----

### Dimensions

Dimensional drawing	
Width	44 mm
Height	57 mm
Length	73 mm

### Material specifications

Housing material	Die-cast aluminum, salt water resistant
Housing surface material	uncoated

### Mechanical properties

#### Mechanical data

Type of the screw connection	1x M25
Locking type	Pin

### Environmental and real-life conditions

#### Ambient conditions

Degree of protection	IP66
----------------------	------

# HC-STA-B10-HLFD-1STM25-EL-AL - Housing



1412617

<https://www.phoenixcontact.com/in/products/1412617>

	IP67
Enclosure rating (NEMA)	4 (UL 50e)
	4X (UL 50e)
	12 (UL 50e)
Impact strength	IK09
Ambient temperature (operation)	-40 °C ... 125 °C

# HC-STA-B10-HLFD-1STM25-EL-AL - Housing

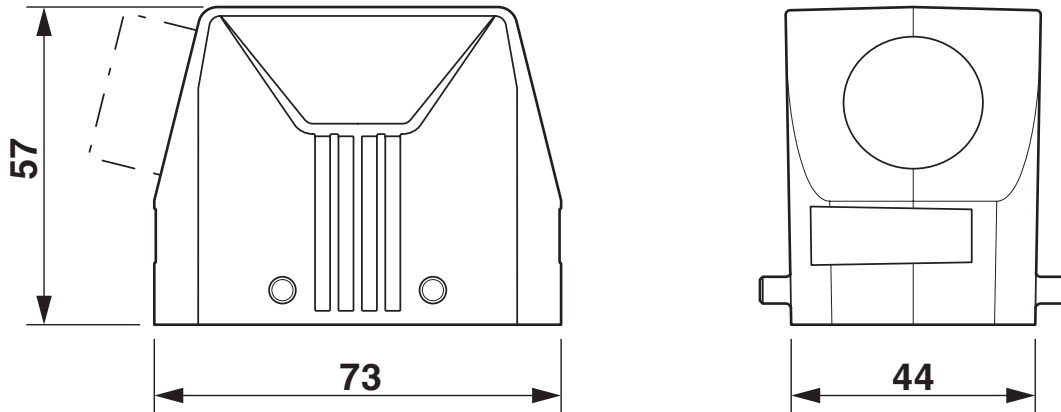


1412617

<https://www.phoenixcontact.com/in/products/1412617>

## Drawings

Dimensional drawing



Dimensional drawing

1412617

<https://www.phoenixcontact.com/in/products/1412617>

## Approvals

To download certificates, visit the product detail page: <https://www.phoenixcontact.com/in/products/1412617>

**DNV**

Approval ID: TAE000037S



**cUL Recognized**

Approval ID: E255026



**UL Recognized**

Approval ID: E255026



**EAC**

Approval ID: RU C-DE.AI30.B.01102



**EAC**

Approval ID: RU C-DE.BL08.B.00511

**cULus Recognized**

1412617

<https://www.phoenixcontact.com/in/products/1412617>

## Classifications

### ECLASS

ECLASS-11.0	27440202
ECLASS-12.0	27440202
ECLASS-13.0	27440202

### ETIM

ETIM 9.0	EC000437
----------	----------

### UNSPSC

UNSPSC 21.0	31261500
-------------	----------

1412617

<https://www.phoenixcontact.com/in/products/1412617>

## Environmental product compliance

### EU RoHS

Fulfills EU RoHS substance requirements	Yes, No exemptions
---	--------------------

### China RoHS

Environment friendly use period (EFUP)	EFUP-E
	No hazardous substances above the limits

### EU REACH SVHC

REACH candidate substance (CAS No.)	No substance above 0.1 wt%
-------------------------------------	----------------------------

# HC-STA-B10-HLFD-1STM25-EL-AL - Housing

1412617

<https://www.phoenixcontact.com/in/products/1412617>

## Accessories

### G-INS-M25-M68N-NNES-S - Cable gland

1411165

<https://www.phoenixcontact.com/in/products/1411165>



Cable gland, material for screw connection: Brass, nickel-plated, application: Standard, external cable diameter 11 mm ... 17 mm, shielding: no, connecting thread: M25 x 1.5, color: silver, with O-ring

---

### G-INSEC-M25-S68N-NCRS-S - Cable gland

1411190

<https://www.phoenixcontact.com/in/products/1411190>



Cable gland, material for screw connection: Brass, nickel-plated, application: EMC, external cable diameter 11 mm ... 16 mm, shielding: yes, connecting thread: M25 x 1.5, color: silver, with O-ring



# HC-STA-B10-HLFD-1STM25-EL-AL - Housing

1412617

<https://www.phoenixcontact.com/in/products/1412617>

## HC-M-KV-M25(1ASI) - Cable gland

1584020

<https://www.phoenixcontact.com/in/products/1584020>



Metal screw connection for an AS-Interface flat-ribbon conductor, thread type M25

---

## US-EMLP (20X9) CUS - Plastic label

0830085

<https://www.phoenixcontact.com/in/products/0830085>



Plastic label, Card, can be ordered: by card, white, labeled according to customer specifications, mounting type: adhesive, lettering field size: 20 x 9 mm, Number of individual labels: 75

# HC-STA-B10-HLFD-1STM25-EL-AL - Housing

1412617

<https://www.phoenixcontact.com/in/products/1412617>

## HC-B10-HCWD-PLR-BK - Protective cover

1346530

<https://www.phoenixcontact.com/in/products/1346530>



Protective cover B10, with double locking latch, protective cover material: PC, height: 26.3 mm, seal: yes

---

## US-EMLP-HA (20X9) - Plastic label

0830989

<https://www.phoenixcontact.com/in/products/0830989>



Plastic label, Card, white, unlabeled, can be labeled with: BLUEMARK ID COLOR, BLUEMARK ID, THERMOMARK PRIME, THERMOMARK CARD 2.0, THERMOMARK CARD, mounting type: adhesive, lettering field size: 20 x 9 mm, Number of individual labels: 70

# HC-STA-B10-HLFD-1STM25-EL-AL - Housing

1412617

<https://www.phoenixcontact.com/in/products/1412617>

WP-G HF IP66 M25 BK - Screw connection

3240899

<https://www.phoenixcontact.com/in/products/3240899>



Cable gland, metric thread, IP66 protection, straight

---

WP-G HF IP69K M25 BK - Screw connection

3240885

<https://www.phoenixcontact.com/in/products/3240885>



Cable gland, metric thread, IP68/69k protection, straight

# HC-STA-B10-HLFD-1STM25-EL-AL - Housing

1412617

<https://www.phoenixcontact.com/in/products/1412617>

WP-GA HF IP66 M25 BK - Screw connection

3240927

<https://www.phoenixcontact.com/in/products/3240927>

Cable gland, metric thread, IP66 protection, angled



---

WP-GA HF IP69K M25 BK - Screw connection

3240913

<https://www.phoenixcontact.com/in/products/3240913>

Cable gland, metric thread, IP68/69k protection, angled



# HC-STA-B10-HLFD-1STM25-EL-AL - Housing

1412617

<https://www.phoenixcontact.com/in/products/1412617>

## WP-GR HF IP66 M25 BK - Screw connection

3240955

<https://www.phoenixcontact.com/in/products/3240955>



Cable gland, metric thread, IP66 protection, with strain relief

---

## WP-GR HF IP69K M25 BK - Screw connection

3240941

<https://www.phoenixcontact.com/in/products/3240941>



Cable gland, metric thread, IP68/69k protection, with strain relief

# HC-STA-B10-HLFD-1STM25-EL-AL - Housing

1412617

<https://www.phoenixcontact.com/in/products/1412617>

## WP-G PP HF M25 - Screw connection

3240999

<https://www.phoenixcontact.com/in/products/3240999>

Cable gland made from PP with metric thread, IP65 protection



---

## WP-GT PP HF M25 - Screw connection

3241013

<https://www.phoenixcontact.com/in/products/3241013>

Cable gland made from PP with metric thread, rotatable, IP54 protection



# HC-STA-B10-HLFD-1STM25-EL-AL - Housing

1412617

<https://www.phoenixcontact.com/in/products/1412617>

## WP-G BRASS IP40 M25 - Screw connection

3241048

<https://www.phoenixcontact.com/in/products/3241048>



Cable gland made from brass with metric thread, IP40 protection

---

## WP-GT BRASS M25 - Screw connection

3241034

<https://www.phoenixcontact.com/in/products/3241034>



Cable gland made from brass with metric thread, rotatable, IP40 protection

# HC-STA-B10-HLFD-1STM25-EL-AL - Housing



1412617

<https://www.phoenixcontact.com/in/products/1412617>

WP-G BRASS IP65 M25 - Screw connection

3241062

<https://www.phoenixcontact.com/in/products/3241062>

Cable gland made from brass with metric thread, IP65 protection



---

Phoenix Contact 2024 © - all rights reserved

<https://www.phoenixcontact.com>

PHOENIX CONTACT (I) Pvt. Ltd.

A-58/2, Okhla Industrial Area, Phase - II, New Delhi-110 020

+91.1275.71420

[info@phoenixcontact.co.in](mailto:info@phoenixcontact.co.in)